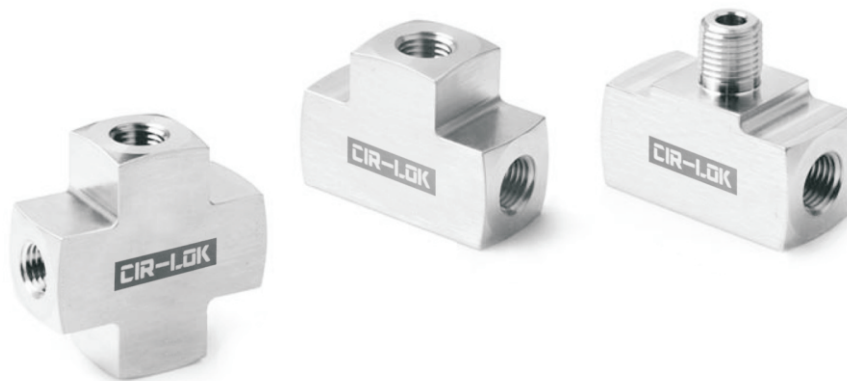


15 Series Pipe Connection Fittings

15 Series, 15,000 psi (1,034 bar)



- ❖ Available sizes are 1/8, 1/4, 3/8, 1/2, 3/4 and 1
- ❖ Working temperature from -65°F to 1000°F (-53°C to 537°C)
- ❖ Special 316 stainless steel and Alloy 825 material

Features

- ❖ Available sizes are 1/8, 1/4, 3/8, 1/2, 3/4 and 1
- ❖ Working temperature from -65°F to 1000°F (-53°C to 537°C)
- ❖ Special 316 stainless steel and Alloy 825 material

End Connection Configuration, Size and Working Pressure

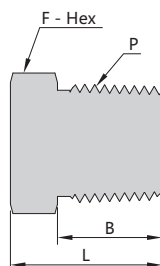
End Connection	Configuration	Size	Working Pressure psig (bar)
Male NPT, BSPT Thread		1/4" : NPT4, MBT4 3/8" : NPT6, MBT6 1/2" : NPT8, MBT8	15,000 (1,034)
		3/4" : NPT12, MBT12 1" : NPT16, MBT16	10,000 (689)
Female NPT, BSPT Thread		1/4" : FNPT4, FBT4 3/8" : FNPT6, FBT6 1/2" : FNPT8, FBT8	15,000 (1,034)
		3/4" : FNPT12 1" : FNPT16	10,000 (689)

How to Order

- ❖ To order CIR-LOK 15 Series Pipe Fittings, add the material designator(316, A825) to the ordering number.

Dimensions

Pipe Plugs



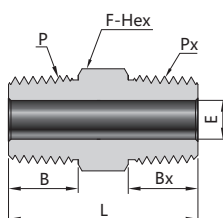
Male NPT Threads

P-NPT Size	Ordering Number	Dimension, in. (mm)			Working Pressure psig (bar)
		L	F	B	
1/8	HTP-NPT2-	0.63 (16.0)	0.44 (11.1)	0.38 (9.7)	15000 (1034)
1/4	HTP-NPT4-	0.87 (22.2)	0.56 (14.3)	0.56 (14.2)	15000 (1034)
3/8	HTP-NPT6-	0.93 (23.6)	0.69 (17.5)	0.56 (14.2)	15000 (1034)
1/2	HTP-NPT8-	1.16 (29.5)	0.87 (22.2)	0.75 (19.1)	15000 (1034)
3/4	HTP-NPT12-	1.25 (31.8)	1.06 (27.0)	0.75 (19.1)	10000 (690)
1	HTP-NPT16-	1.55 (39.3)	1.37 (34.9)	0.94 (23.9)	10000 (690)

Male BSPT Tapered Threads

P-BSPT Size	Ordering Number	Dimension, in. (mm)			Working Pressure psig (bar)
		L	F	B	
1/8	HTP-MBT2-	0.63 (16.0)	0.44 (11.1)	0.38 (9.7)	15000 (1034)
1/4	HTP-MBT4-	0.87 (22.2)	0.56 (14.3)	0.56 (14.2)	15000 (1034)
3/8	HTP-MBT6-	0.93 (23.6)	0.69 (17.5)	0.56 (14.2)	15000 (1034)
1/2	HTP-MBT8-	1.16 (29.5)	0.87 (22.2)	0.75 (19.1)	15000 (1034)
3/4	HTP-MBT12-	1.25 (31.8)	1.06 (27.0)	0.75 (19.1)	10000 (690)
1	HTP-MBT16-	1.55 (39.3)	1.37 (34.9)	0.94 (23.9)	10000 (690)

Hex Nipples



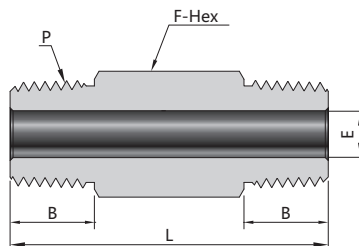
Male NPT Threads

P-NPT Size	Px-NPT Size	Ordering Number	Dimension, in. (mm)				
			L	F	B	Bx	E
1/8	1/8	NPT2-HTHN-NPT2-	1.05 (26.6)	0.44 (11.1)	0.38 (9.7)	0.38 (9.7)	0.19 (4.8)
1/4	1/8	NPT4-HTHN-NPT2-	1.30 (32.9)	0.56 (14.3)	0.56 (14.2)	0.38 (9.7)	0.19 (4.8)
1/4	1/4	NPT4-HTHN-NPT4-	1.47 (37.4)	0.56 (14.3)	0.56 (14.2)	0.56 (14.2)	0.25 (6.4)
3/8	1/8	NPT6-HTHN-NPT2-	1.34 (34.1)	0.69 (17.5)	0.56 (14.2)	0.38 (9.7)	0.19 (4.8)
3/8	1/4	NPT6-HTHN-NPT4-	1.52 (38.6)	0.69 (17.5)	0.56 (14.2)	0.56 (14.2)	0.25 (6.4)
3/8	3/8	NPT6-HTHN-NPT6-	1.52 (38.6)	0.69 (17.5)	0.56 (14.2)	0.56 (14.2)	0.31 (7.9)
1/2	1/8	NPT8-HTHN-NPT2-	1.58 (40.2)	0.87 (22.2)	0.75 (19.1)	0.38 (9.7)	0.19 (4.8)
1/2	1/4	NPT8-HTHN-NPT4-	1.76 (44.7)	0.87 (22.2)	0.75 (19.1)	0.56 (14.2)	0.25 (6.4)
1/2	3/8	NPT8-HTHN-NPT6-	1.76 (44.7)	0.87 (22.2)	0.75 (19.1)	0.56 (14.2)	0.31 (7.9)
1/2	1/2	NPT8-HTHN-NPT8-	1.95 (49.6)	0.87 (22.2)	0.75 (19.1)	0.75 (19.1)	0.38 (9.6)
3/4	1/8	NPT12-HTHN-NPT2-	1.67 (42.4)	1.06 (27.0)	0.75 (19.1)	0.38 (9.7)	0.22 (5.5)
3/4	1/4	NPT12-HTHN-NPT4-	1.85 (46.9)	1.06 (27.0)	0.75 (19.1)	0.56 (14.2)	0.28 (7.1)
3/4	3/8	NPT12-HTHN-NPT6-	1.85 (46.9)	1.06 (27.0)	0.75 (19.1)	0.56 (14.2)	0.38 (9.6)
3/4	1/2	NPT12-HTHN-NPT8-	2.04 (51.8)	1.06 (27.0)	0.75 (19.1)	0.75 (19.1)	0.47 (11.9)
3/4	3/4	NPT12-HTHN-NPT12-	2.04 (51.8)	1.06 (27.0)	0.75 (19.1)	0.75 (19.1)	0.58 (14.8)
1	1/8	NPT16-HTHN-NPT2-	1.96 (49.8)	1.37 (34.9)	0.94 (23.9)	0.38 (9.7)	0.22 (5.5)
1	1/4	NPT16-HTHN-NPT4-	2.14 (54.3)	1.37 (34.9)	0.94 (23.9)	0.56 (14.2)	0.28 (7.1)
1	3/8	NPT16-HTHN-NPT6-	2.14 (54.3)	1.37 (34.9)	0.94 (23.9)	0.56 (14.2)	0.38 (9.6)
1	1/2	NPT16-HTHN-NPT8-	2.33 (59.2)	1.37 (34.9)	0.94 (23.9)	0.75 (19.1)	0.47 (11.9)
1	3/4	NPT16-HTHN-NPT12-	2.33 (59.2)	1.37 (34.9)	0.94 (23.9)	0.75 (19.1)	0.58 (14.8)
1	1	NPT16-HTHN-NPT16-	2.52 (64.0)	1.37 (34.9)	0.94 (23.9)	0.94 (23.9)	0.79 (20.0)

Male BSPT Tapered Threads

P-BSPT Size	Px-BSPT Size	Ordering Number	Dimension, in. (mm)				
			L	F	B	Bx	E
1/8	1/8	MBT2-HTHN-MBT2-	1.05 (26.6)	0.44 (11.1)	0.38 (9.7)	0.38 (9.7)	0.19 (4.8)
1/4	1/8	MBT4-HTHN-MBT2-	1.30 (32.9)	0.56 (14.3)	0.56 (14.2)	0.38 (9.7)	0.19 (4.8)
1/4	1/4	MBT4-HTHN-MBT4-	1.47 (37.4)	0.56 (14.3)	0.56 (14.2)	0.56 (14.2)	0.25 (6.4)
3/8	1/8	MBT6-HTHN-MBT2-	1.34 (34.1)	0.69 (17.5)	0.56 (14.2)	0.38 (9.7)	0.19 (4.8)
3/8	1/4	MBT6-HTHN-MBT4-	1.52 (38.6)	0.69 (17.5)	0.56 (14.2)	0.56 (14.2)	0.25 (6.4)
3/8	3/8	MBT6-HTHN-MBT6-	1.52 (38.6)	0.69 (17.5)	0.56 (14.2)	0.56 (14.2)	0.31 (7.9)
1/2	1/8	MBT8-HTHN-MBT2-	1.58 (40.2)	0.87 (22.2)	0.75 (19.1)	0.38 (9.7)	0.19 (4.8)
1/2	1/4	MBT8-HTHN-MBT4-	1.76 (44.7)	0.87 (22.2)	0.75 (19.1)	0.56 (14.2)	0.25 (6.4)
1/2	3/8	MBT8-HTHN-MBT6-	1.76 (44.7)	0.87 (22.2)	0.75 (19.1)	0.56 (14.2)	0.31 (7.9)
1/2	1/2	MBT8-HTHN-MBT8-	1.95 (49.6)	0.87 (22.2)	0.75 (19.1)	0.75 (19.1)	0.38 (9.6)
3/4	1/8	MBT12-HTHN-MBT2-	1.67 (42.4)	1.06 (27.0)	0.75 (19.1)	0.38 (9.7)	0.22 (5.5)
3/4	1/4	MBT12-HTHN-MBT4-	1.85 (46.9)	1.06 (27.0)	0.75 (19.1)	0.56 (14.2)	0.28 (7.1)
3/4	3/8	MBT12-HTHN-MBT6-	1.85 (46.9)	1.06 (27.0)	0.75 (19.1)	0.56 (14.2)	0.38 (9.6)
3/4	1/2	MBT12-HTHN-MBT8-	2.04 (51.8)	1.06 (27.0)	0.75 (19.1)	0.75 (19.1)	0.47 (11.9)
3/4	3/4	MBT12-HTHN-MBT12-	2.04 (51.8)	1.06 (27.0)	0.75 (19.1)	0.75 (19.1)	0.58 (14.8)
1	1/8	MBT16-HTHN-MBT2-	1.96 (49.8)	1.37 (34.9)	0.94 (23.9)	0.38 (9.7)	0.22 (5.5)
1	1/4	MBT16-HTHN-MBT4-	2.14 (54.3)	1.37 (34.9)	0.94 (23.9)	0.56 (14.2)	0.28 (7.1)
1	3/8	MBT16-HTHN-MBT6-	2.14 (54.3)	1.37 (34.9)	0.94 (23.9)	0.56 (14.2)	0.38 (9.6)
1	1/2	MBT16-HTHN-MBT8-	2.33 (59.2)	1.37 (34.9)	0.94 (23.9)	0.75 (19.1)	0.47 (11.9)
1	3/4	MBT16-HTHN-MBT12-	2.33 (59.2)	1.37 (34.9)	0.94 (23.9)	0.75 (19.1)	0.58 (14.8)
1	1	MBT16-HTHN-MBT16-	2.52 (64.0)	1.37 (34.9)	0.94 (23.9)	0.94 (23.9)	0.79 (20.0)

Hex Long Nipples



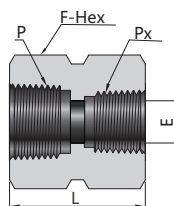
Male NPT Threads

P-NPT Size	Ordering Number	Dimension, in. (mm)			
		L	F	B	E
1/8	NPT2-HTLN-NPT2-1.5-	1.50 (38.1)	0.44 (11.1)	0.38 (9.7)	0.19 (4.8)
1/8	NPT2-HTLN-NPT2-2-	2.00 (50.8)	0.44 (11.1)	0.38 (9.7)	0.19 (4.8)
1/8	NPT2-HTLN-NPT2-2.5-	2.50 (63.5)	0.44 (11.1)	0.38 (9.7)	0.19 (4.8)
1/8	NPT2-HTLN-NPT2-3-	3.00 (76.2)	0.44 (11.1)	0.38 (9.7)	0.19 (4.8)
1/4	NPT4-HTLN-NPT4-2-	2.00 (50.8)	0.56 (14.3)	0.56 (14.3)	0.25 (6.4)
1/4	NPT4-HTLN-NPT4-2.5-	2.50 (63.5)	0.56 (14.3)	0.56 (14.3)	0.25 (6.4)
1/4	NPT4-HTLN-NPT4-3-	3.00 (76.2)	0.56 (14.3)	0.56 (14.3)	0.25 (6.4)
1/4	NPT4-HTLN-NPT4-4-	4.00 (101.6)	0.56 (14.3)	0.56 (14.3)	0.25 (6.4)
3/8	NPT6-HTLN-NPT6-2-	2.00 (50.8)	0.69 (17.5)	0.56 (14.3)	0.31 (7.9)
3/8	NPT6-HTLN-NPT6-2.5-	2.50 (63.5)	0.69 (17.5)	0.56 (14.3)	0.31 (7.9)
3/8	NPT6-HTLN-NPT6-3-	3.00 (76.2)	0.69 (17.5)	0.56 (14.3)	0.31 (7.9)
3/8	NPT6-HTLN-NPT6-4-	4.00 (101.6)	0.69 (17.5)	0.56 (14.3)	0.31 (7.9)
1/2	NPT8-HTLN-NPT8-3-	3.00 (76.2)	0.87 (22.2)	0.75 (19.1)	0.38 (9.6)
1/2	NPT8-HTLN-NPT8-4-	4.00 (101.6)	0.87 (22.2)	0.75 (19.1)	0.38 (9.6)
1/2	NPT8-HTLN-NPT8-6-	6.00 (152.4)	0.87 (22.2)	0.75 (19.1)	0.38 (9.6)
3/4	NPT12-HTLN-NPT12-3-	3.00 (76.2)	1.06 (27.0)	0.75 (19.1)	0.58 (14.8)
3/4	NPT12-HTLN-NPT12-4-	4.00 (101.6)	1.06 (27.0)	0.75 (19.1)	0.58 (14.8)
1	NPT16-HTLN-NPT16-3-	3.00 (76.2)	1.37 (34.9)	0.94 (23.9)	0.79 (20.0)
1	NPT16-HTLN-NPT16-4-	4.00 (101.6)	1.37 (34.9)	0.94 (23.9)	0.79 (20.0)

Male ISO Tapered Threads

P-BSPT Size	Ordering Number	Dimension, in. (mm)			
		L	F	B	E
1/8	MBT2-HTLN-MBT2-1.5-	1.50 (38.1)	0.44 (11.1)	0.38 (9.7)	0.19 (4.8)
1/8	MBT2-HTLN-MBT2-2-	2.00 (50.8)	0.44 (11.1)	0.38 (9.7)	0.19 (4.8)
1/8	MBT2-HTLN-MBT2-2.5-	2.50 (63.5)	0.44 (11.1)	0.38 (9.7)	0.19 (4.8)
1/8	MBT2-HTLN-MBT2-3-	3.00 (76.2)	0.44 (11.1)	0.38 (9.7)	0.19 (4.8)
1/4	MBT4-HTLN-MBT4-2-	2.00 (50.8)	0.56 (14.3)	0.56 (14.2)	0.25 (6.4)
1/4	MBT4-HTLN-MBT4-2.5-	2.50 (63.5)	0.56 (14.3)	0.56 (14.2)	0.25 (6.4)
1/4	MBT4-HTLN-MBT4-3-	3.00 (76.2)	0.56 (14.3)	0.56 (14.2)	0.25 (6.4)
1/4	MBT4-HTLN-MBT4-4-	4.00 (101.6)	0.56 (14.3)	0.56 (14.2)	0.25 (6.4)
3/8	MBT6-HTLN-MBT6-2-	2.00 (50.8)	0.69 (17.5)	0.56 (14.2)	0.31 (7.9)
3/8	MBT6-HTLN-MBT6-2.5-	2.50 (63.5)	0.69 (17.5)	0.56 (14.2)	0.31 (7.9)
3/8	MBT6-HTLN-MBT6-3-	3.00 (76.2)	0.69 (17.5)	0.56 (14.2)	0.31 (7.9)
3/8	MBT6-HTLN-MBT6-4-	4.00 (101.6)	0.69 (17.5)	0.56 (14.2)	0.31 (7.9)
1/2	MBT8-HTLN-MBT8-3-	3.00 (76.2)	0.87 (22.2)	0.75 (19.1)	0.38 (9.6)
1/2	MBT8-HTLN-MBT8-4-	4.00 (101.6)	0.87 (22.2)	0.75 (19.1)	0.38 (9.6)
1/2	MBT8-HTLN-MBT8-6-	6.00 (152.4)	0.87 (22.2)	0.75 (19.1)	0.38 (9.6)
3/4	MBT12-HTLN-MBT12-3-	3.00 (76.2)	1.06 (27.0)	0.75 (19.1)	0.58 (14.8)
3/4	MBT12-HTLN-MBT12-4-	4.00 (101.6)	1.06 (27.0)	0.75 (19.1)	0.58 (14.8)
1	MBT16-HTLN-MBT16-3-	3.00 (76.2)	1.37 (34.9)	0.94 (23.9)	0.79 (20.0)
1	MBT16-HTLN-MBT16-4-	4.00 (101.6)	1.37 (34.9)	0.94 (23.9)	0.79 (20.0)

Hex Couplings



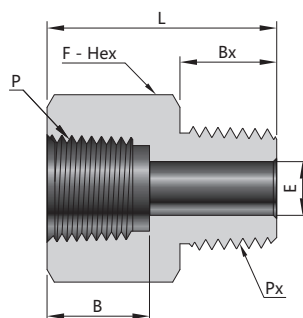
Female NPT Threads

P-NPT Size	Px-NPT Size	Ordering Number	Dimension, in. (mm)		
			L	F	E
1/8	1/8	FNPT2-HTHC-FNPT2-	0.94 (23.8)	0.63 (15.9)	0.31 (8.0)
1/4	1/8	FNPT4-HTHC-FNPT2-	1.14 (28.9)	0.94 (23.8)	0.31 (8.0)
1/4	1/4	FNPT4-HTHC-FNPT4-	1.32 (33.5)	0.94 (23.8)	0.41 (10.4)
3/8	1/8	FNPT6-HTHC-FNPT2-	1.14 (28.9)	1.13 (28.6)	0.31 (8.0)
3/8	1/4	FNPT6-HTHC-FNPT4-	1.32 (33.5)	1.13 (28.6)	0.41 (10.4)
3/8	3/8	FNPT6-HTHC-FNPT6-	1.32 (33.5)	1.13 (28.6)	0.54 (13.8)
1/2	1/8	FNPT8-HTHC-FNPT2-	1.35 (34.2)	1.37 (34.9)	0.31 (8.0)
1/2	1/4	FNPT8-HTHC-FNPT4-	1.53 (38.8)	1.37 (34.9)	0.41 (10.4)
1/2	3/8	FNPT8-HTHC-FNPT6-	1.53 (38.8)	1.37 (34.9)	0.54 (13.8)
1/2	1/2	FNPT8-HTHC-FNPT8-	1.72 (43.8)	1.37 (34.9)	0.67 (17.0)
3/4	1/8	FNPT12-HTHC-FNPT2-	1.40 (35.5)	1.50 (38.1)	0.31 (8.0)
3/4	1/4	FNPT12-HTHC-FNPT4-	1.58 (40.1)	1.50 (38.1)	0.41 (10.4)
3/4	3/8	FNPT12-HTHC-FNPT6-	1.58 (40.1)	1.50 (38.1)	0.54 (13.8)
3/4	1/2	FNPT12-HTHC-FNPT8-	1.79 (45.4)	1.50 (38.1)	0.67 (17.0)
3/4	3/4	FNPT12-HTHC-FNPT12-	1.84 (46.7)	1.50 (38.1)	0.88 (22.3)
1	1/8	FNPT16-HTHC-FNPT2-	1.59 (40.5)	1.75 (44.5)	0.31 (8.0)
1	1/4	FNPT16-HTHC-FNPT4-	1.76 (44.8)	1.75 (44.5)	0.41 (10.4)
1	3/8	FNPT16-HTHC-FNPT6-	1.76 (44.8)	1.75 (44.5)	0.54 (13.8)
1	1/2	FNPT16-HTHC-FNPT8-	1.96 (49.7)	1.75 (44.5)	0.67 (17.0)
1	3/4	FNPT16-HTHC-FNPT12-	2.00 (50.7)	1.75 (44.5)	0.88 (22.3)
1	1	FNPT16-HTHC-FNPT16-	2.19 (55.5)	1.75 (44.5)	1.11 (28.1)

Female BSPT Tapered Threads

P-BSPT Size	Px-BSPT Size	Ordering Number	Dimension, in. (mm)		
			L	F	E
1/8	1/8	FBT2-HTHC-FBT2-	0.94 (23.8)	0.63 (15.9)	0.31 (8.0)
1/4	1/8	FBT4-HTHC-FBT2-	1.14 (28.9)	0.94 (23.8)	0.31 (8.0)
1/4	1/4	FBT4-HTHC-FBT4-	1.32 (33.5)	0.94 (23.8)	0.41 (10.4)
3/8	1/8	FBT6-HTHC-FBT2-	1.14 (28.9)	1.13 (28.6)	0.31 (8.0)
3/8	1/4	FBT6-HTHC-FBT4-	1.32 (33.5)	1.13 (28.6)	0.41 (10.4)
3/8	3/8	FBT6-HTHC-FBT6-	1.32 (33.5)	1.13 (28.6)	0.54 (13.8)
1/2	1/8	FBT8-HTHC-FBT2-	1.35 (34.2)	1.37 (34.9)	0.31 (8.0)
1/2	1/4	FBT8-HTHC-FBT4-	1.53 (38.8)	1.37 (34.9)	0.41 (10.4)
1/2	3/8	FBT8-HTHC-FBT6-	1.53 (38.8)	1.37 (34.9)	0.54 (13.8)
1/2	1/2	FBT8-HTHC-FBT8-	1.72 (43.8)	1.37 (34.9)	0.67 (17.0)
3/4	1/8	FBT12-HTHC-FBT2-	1.40 (35.5)	1.50 (38.1)	0.31 (8.0)
3/4	1/4	FBT12-HTHC-FBT4-	1.58 (40.1)	1.50 (38.1)	0.41 (10.4)
3/4	3/8	FBT12-HTHC-FBT6-	1.58 (40.1)	1.50 (38.1)	0.54 (13.8)
3/4	1/2	FBT12-HTHC-FBT8-	1.79 (45.4)	1.50 (38.1)	0.67 (17.0)
3/4	3/4	FBT12-HTHC-FBT12-	1.84 (46.7)	1.50 (38.1)	0.88 (22.3)
1	1/8	FBT16-HTHC-FBT2-	1.59 (40.5)	1.75 (44.5)	0.31 (8.0)
1	1/4	FBT16-HTHC-FBT4-	1.76 (44.8)	1.75 (44.5)	0.41 (10.4)
1	3/8	FBT16-HTHC-FBT6-	1.76 (44.8)	1.75 (44.5)	0.54 (13.8)
1	1/2	FBT16-HTHC-FBT8-	1.96 (49.7)	1.75 (44.5)	0.67 (17.0)
1	3/4	FBT16-HTHC-FBT12-	2.00 (50.7)	1.75 (44.5)	0.88 (22.3)
1	1	FBT16-HTHC-FBT16-	2.19 (55.5)	1.75 (44.5)	1.11 (28.1)

Adapters

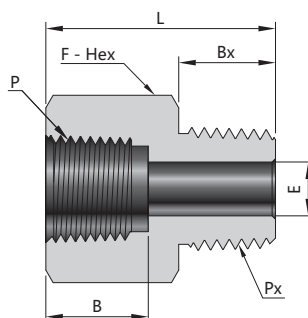


Female NPT Threads

Male NPT Threads

P-NPT Size	Px-NPT Size	Ordering Number	Dimension, in. (mm)				
			L	F	B	Bx	E
1/8	1/8	FNPT2-HTA-NPT2-	0.96 (24.5)	0.63(15.9)	0.41 (10.4)	0.38(9.7)	0.19(4.8)
1/8	1/4	FNPT2-HTA-NPT4-	1.13 (28.8)	0.63(15.9)	0.41 (10.4)	0.56 (14.2)	0.25 (6.4)
1/8	3/8	FNPT2-HTA-NPT6	1.14 (29.0)	0.69 (17.5)	0.41 (10.4)	0.56 (14.2)	0.31 (7.9)
1/8	1/2	FNPT2-HTA-NPT8-	1.08 (27.4)	0.87(22.2)	0.41 (10.4)	0.75(19.1)	0.31 (8.0)
1/8	3/4	FNPT2-HTA-NPT12-	1.08 (27.4)	1.06 (27.0)	0.41 (10.4)	0.75(19.1)	0.31(8.0)
1/4	1/8	FNPT4-HTA-NPT2-	1.25 (31.8)	0.94(23.8)	0.59(15.0)	0.38(9.7)	0.19(4.8)
1/4	1/4	FNPT4-HTA-NPT4-	1.37 (34.9)	0.94(23.8)	0.59(15.0)	0.56(14.2)	0.25(6.4)
1/4	3/8	FNPT4-HTA-NPT6-	1.37 (34.9)	0.94(23.8)	0.59(15.0)	0.56(14.2)	0.31(7.9)
1/4	1/2	FNPT4-HTA-NPT8-	1.58 (40.1)	0.94(23.8)	0.59(15.0)	0.75(19.1)	0.38(9.6)
1/4	3/4	FNPT4-HTA-NPT12-	1.34 (34.1)	1.06(27.0)	0.59(15.0)	0.75(19.1)	0.41 (10.4)
1/4	1	FNPT4-HTA-NPT16-	1.37 (34.8)	1.37 (34.9)	0.59(15.0)	0.94 (23.9)	0.41 (10.4)
3/8	1/4	FNPT6-HTA-NPT4-	1.42(36.0)	1.13(28.6)	0.59(15.0)	0.56(14.2)	0.25(6.4)
3/8	3/8	FNPT6-HTA-NPT6-	1.42(36.0)	1.13(28.6)	0.59(15.0)	0.56(14.2)	0.31(7.9)
3/8	1/2	FNPT6-HTA-NPT8-	1.61(41.0)	1.13(28.6)	0.59(15.0)	0.75(19.1)	0.38(9.6)
3/8	3/4	FNPT6-HTA-NPT12-	1.61(41.0)	1.06 (27.0)	0.59(15.0)	0.75(19.1)	0.54(13.8)
3/8	1	FNPT6-HTA-NPT16-	1.47(37.3)	1.37(34.9)	0.59(15.0)	0.94 (23.9)	0.54(13.8)
1/2	1/4	FNPT8-HTA-NPT4-	1.72(4.81)	1.37(34.9)	0.78 (19.8)	0.56(14.2)	0.25(6.4)
1/2	3/8	FNPT8-HTA-NPT6-	1.72(4.81)	1.37(34.9)	0.78 (19.8)	0.56(14.2)	0.31(7.9)
1/2	1/2	FNPT8-HTA-NPT8-	1.89(4.80)	1.37(34.9)	0.78 (19.8)	0.75(19.1)	0.38(9.6)
1/2	3/4	FNPT8-HTA-NPT12-	1.89(4.80)	1.19 (30.2)	0.78 (19.8)	0.75(19.1)	0.58 (14.8)
1/2	1	FNPT8-HTA-NPT16-	2.08 (52.8)	1.37(34.9)	0.78 (19.8)	0.94 (23.9)	0.67(17.0)
3/4	1/2	FNPT12-HTA-NPT8-	1.89(4.80)	1.50 (38.1)	0.81(20.6)	0.75(19.1)	0.47(11.9)
3/4	3/4	FNPT12-HTA-NPT12-	1.89(4.80)	1.50 (38.1)	0.81(20.6)	0.75(19.1)	0.58(14.8)
3/4	1	FNPT12-HTA-NPT16-	2.08 (52.9)	1.50 (38.1)	0.81(20.6)	0.94 (23.9)	0.79 (20.0)
1	1/2	FNPT16-HTA-NPT8-	2.10(5.33)	1.75(44.5)	1.00 (25.4)	0.75(19.1)	0.47(11.9)
1	3/4	FNPT16-HTA-NPT12-	2.10(5.33)	1.75(44.5)	1.00 (25.4)	0.75(19.1)	0.58(14.8)
1	1	FNPT16-HTA-NPT16-	2.29 (58.1)	1.75(44.5)	1.00 (25.4)	0.94 (23.9)	0.79(20.0)

Adapters

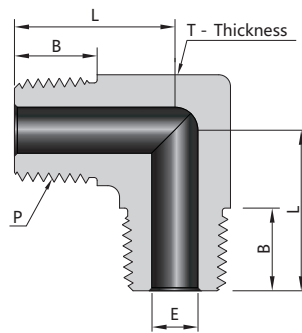


Female BSPT Tapered Threads

Male BSPT Tapered Threads

P-BSPT Size	Px-BSPT Size	Ordering Number	Dimension, in. (mm)				
			L	F	B	Bx	E
1/8	1/8	FBT2-HTA-MBT2-	0.96 (24.5)	0.63(15.9)	0.41 (10.4)	0.38 (9.7)	0.19(4.8)
1/8	1/4	FBT2-HTA-MBT4-	1.13 (28.8)	0.63(15.9)	0.41 (10.4)	0.56 (14.2)	0.25 (6.4)
1/8	3/8	FBT2-HTA-MBT6-	1.14 (29.0)	0.69 (17.5)	0.41 (10.4)	0.56 (14.2)	0.31 (7.9)
1/8	1/2	FBT2-HTA-MBT8-	1.08 (27.4)	0.87(22.2)	0.41 (10.4)	0.75(19.1)	0.31 (8.0)
1/8	3/4	FBT2-HTA-MBT12-	1.08 (27.4)	1.06 (27.0)	0.41 (10.4)	0.75(19.1)	0.31 (8.0)
1/4	1/8	FBT4-HTA-MBT2-	1.25 (31.8)	0.94(23.8)	0.59(15.0)	0.38 (9.7)	0.19(4.8)
1/4	1/4	FBT4-HTA-MBT4-	1.37 (34.9)	0.94(23.8)	0.59(15.0)	0.56(14.2)	0.25 (6.4)
1/4	3/8	FBT4-HTA-MBT6-	1.37 (34.9)	0.94(23.8)	0.59(15.0)	0.56(14.2)	0.31 (7.9)
1/4	1/2	FBT4-HTA-MBT8-	1.58 (40.1)	0.94(23.8)	0.59(15.0)	0.75(19.1)	0.38 (9.6)
1/4	3/4	FBT4-HTA-MBT12-	1.34 (34.1)	1.06(27.0)	0.59(15.0)	0.75(19.1)	0.41(10.4)
1/4	1	FBT4-HTA-MBT16-	1.37 (34.8)	1.37 (34.9)	0.59(15.0)	0.94 (23.9)	0.41(10.4)
3/8	1/4	FBT6-HTA-MBT4-	1.42(36.0)	1.13(28.6)	0.59(15.0)	0.56(14.2)	0.25 (6.4)
3/8	3/8	FBT6-HTA-MBT6-	1.42(36.0)	1.13(28.6)	0.59(15.0)	0.56(14.2)	0.31 (7.9)
3/8	1/2	FBT6-HTA-MBT8-	1.61(41.0)	1.13(28.6)	0.59(15.0)	0.75(19.1)	0.38 (9.6)
3/8	3/4	FBT6-HTA-MBT12-	1.61(41.0)	1.06 (27.0)	0.59(15.0)	0.75(19.1)	0.54(13.8)
3/8	1	FBT6-HTA-MBT16-	1.47(37.3)	1.37(34.9)	0.59(15.0)	0.94 (23.9)	0.54(13.8)
1/2	1/4	FBT8-HTA-MBT4-	1.72(4.81)	1.37(34.9)	0.78 (19.8)	0.56(14.2)	0.25 (6.4)
1/2	3/8	FBT8-HTA-MBT6-	1.72(4.81)	1.37(34.9)	0.78 (19.8)	0.56(14.2)	0.31 (7.9)
1/2	1/2	FBT8-HTA-MBT8-	1.89(4.80)	1.37(34.9)	0.78 (19.8)	0.75(19.1)	0.38 (9.6)
1/2	3/4	FBT8-HTA-MBT12-	1.89(4.80)	1.19 (30.2)	0.78 (19.8)	0.75(19.1)	0.58 (14.8)
1/2	1	FBT8-HTA-MBT16-	2.08 (52.8)	1.37(34.9)	0.78 (19.8)	0.94 (23.9)	0.67(17.0)
3/4	1/2	FBT12-HTA-MBT8-	1.89(4.80)	1.50 (38.1)	0.81(20.6)	0.75(19.1)	0.47 (11.9)
3/4	3/4	FBT12-HTA-MBT12-	1.89(4.80)	1.50 (38.1)	0.81(20.6)	0.75(19.1)	0.58(14.8)
3/4	1	FBT12-HTA-MBT16-	2.08 (52.9)	1.50 (38.1)	0.81(20.6)	0.94 (23.9)	0.79 (20.0)
1	1/2	FBT16-HTA-MBT8-	2.10(5.33)	1.75(44.5)	1.00 (25.4)	0.75(19.1)	0.47 (11.9)
1	3/4	FBT16-HTA-MBT12-	2.10(5.33)	1.75(44.5)	1.00 (25.4)	0.75(19.1)	0.58(14.8)
1	1	FBT16-HTA-MBT16-	2.29 (58.1)	1.75(44.5)	1.00 (25.4)	0.94 (23.9)	0.79(20.0)

Male Elbows



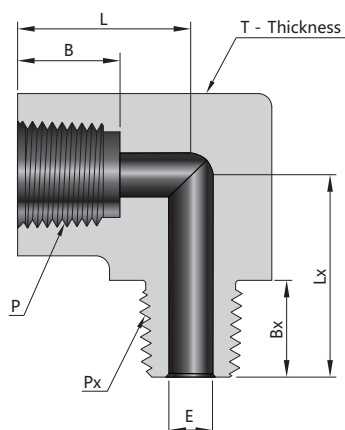
Male NPT Threads

P-NPT Size	Ordering Number	Dimension, in. (mm)			
		L	B	E	T
1/8	NPT2-HTME-NPT2-	0.75 (19.1)	0.38 (9.7)	0.19 (4.8)	0.50 (12.7)
1/4	NPT4-HTME-NPT4-	1.00 (25.4)	0.56 (14.2)	0.25 (6.4)	0.63 (15.9)
3/8	NPT6-HTME-NPT6-	1.10 (28.0)	0.56 (14.2)	0.31 (7.9)	0.75 (19.1)
1/2	NPT8-HTME-NPT8-	1.44 (36.6)	0.75 (19.1)	0.38 (9.6)	1.00 (25.4)
3/4	NPT12-HTME-NPT12-	1.56 (39.6)	0.75 (19.1)	0.58 (14.8)	1.37 (34.9)
1	NPT16-HTME-NPT16-	1.89 (48.0)	0.94 (23.9)	0.79 (20.0)	1.50 (38.1)

Male BSPT Tapered Pipe Threads

P-BSPT Size	Ordering Number	Dimension, in. (mm)			
		L	B	E	T
1/8	MBT2-HTME-MBT2-	0.75 (19.1)	0.38 (9.7)	0.19 (4.8)	0.50 (12.7)
1/4	MBT4-HTME-MBT4-	1.00 (25.4)	0.56 (14.2)	0.25 (6.4)	0.63 (15.9)
3/8	MBT6-HTME-MBT6-	1.10 (28.0)	0.56 (14.2)	0.31 (7.9)	0.75 (19.1)
1/2	MBT8-HTME-MBT8-	1.44 (36.6)	0.75 (19.1)	0.38 (9.6)	1.00 (25.4)
3/4	MBT12-HTME-MBT12-	1.56 (39.6)	0.75 (19.1)	0.58 (14.8)	1.37 (34.9)
1	MBT16-HTME-MBT16-	1.89 (48.0)	0.94 (23.9)	0.79 (20.0)	1.50 (38.1)

Street Elbows



Female NPT Threads

Male NPT Threads

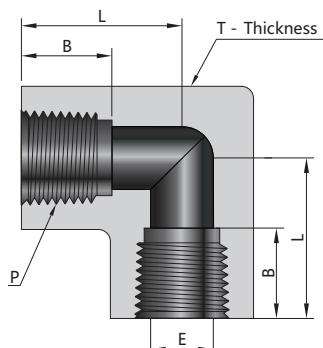
P-NPT Size	Px-NPT Size	Ordering Number	Dimension, in. (mm)					
			L	B	E	Lx	Bx	T
1/8	1/8	FNPT2-HTSE-NPT2-	0.75 (19.1)	0.41 (10.4)	0.19 (4.8)	0.75(19.1)	0.38 (9.7)	0.63 (15.9)
1/8	1/4	FNPT2-HTSE-NPT4-	0.78 (19.8)	0.41 (10.4)	0.25 (6.4)	1.00 (25.4)	0.56 (14.2)	0.63 (15.9)
1/8	3/8	FNPT2-HTSE-NPT6-	0.95 (24.2)	0.41 (10.4)	0.31 (7.9)	1.07 (27.2)	0.56 (14.2)	0.75 (19.1)
1/4	1/4	FNPT4-HTSE-NPT4-	1.00 (25.4)	0.59 (15.0)	0.25 (6.4)	1.06 (27.0)	0.56 (14.2)	0.75 (19.1)
1/4	3/8	FNPT4-HTSE-NPT6-	1.00 (25.4)	0.59 (15.0)	0.31 (7.9)	1.06 (27.0)	0.56 (14.2)	0.75 (19.1)
1/4	1/2	FNPT4-HTSE-NPT8-	1.15 (29.1)	0.59 (15.0)	0.38 (9.6)	1.40 (35.5)	0.75 (19.1)	1.00 (25.4)
3/8	3/8	FNPT6-HTSE-NPT6-	1.20 (30.6)	0.59 (15.0)	0.31 (7.9)	1.20 (30.6)	0.56 (14.2)	1.00 (25.4)
3/8	1/2	FNPT6-HTSE-NPT8-	1.20 (30.6)	0.59 (15.0)	0.38 (9.6)	1.38 (35.0)	0.75(19.1)	1.00 (25.4)
3/8	3/4	FNPT6-HTSE-NPT12-	1.23 (31.2)	0.59 (15.0)	0.54 (13.8)	1.56 (39.6)	0.75(19.1)	1.37 (34.9)
1/2	1/2	FNPT8-HTSE-NPT8-	1.50 (38.1)	0.78 (19.8)	0.38 (9.6)	1.61 (40.8)	0.75(19.1)	1.37 (34.9)
1/2	3/4	FNPT8-HTSE-NPT12-	1.43 (36.2)	0.78 (19.8)	0.58 (14.8)	1.61 (40.8)	0.75(19.1)	1.37 (34.9)
1/2	1	FNPT8-HTSE-NPT16-	1.45 (36.9)	0.78 (19.8)	0.67 (17.0)	1.86 (47.3)	0.94 (23.9)	1.37 (34.9)
3/4	3/4	FNPT12-HTSE-NPT12-	1.50 (38.1)	0.81 (20.6)	0.58 (14.8)	1.77 (44.9)	0.75(19.1)	1.5.(38.1)
3/4	1	FNPT12-HTSE-NPT16-	1.63 (41.4)	0.81 (20.6)	0.79 (20.0)	1.86 (47.3)	0.94 (23.9)	1.5.(38.1)
1	1	FNPT16-HTSE-NPT16-	1.91 (48.5)	1.00 (25.4)	0.79 (20.0)	2.07 (52.5)	0.94 (23.9)	1.75 (44.5)

Female BSPT Tapered Pipe Threads

Male BSPT Tapered Threads

P-BSPT Size	Px-BSPT Size	Ordering Number	Dimension, in. (mm)					
			L	B	E	Lx	Bx	T
1/8	1/8	FBT2-HTSE-MBT2-	0.75 (19.1)	0.41 (10.4)	0.19 (4.8)	0.75(19.1)	0.38 (9.7)	0.63 (15.9)
1/8	1/4	FBT2-HTSE-MBT4-	0.78 (19.8)	0.41 (10.4)	0.25 (6.4)	1.00 (25.4)	0.56 (14.2)	0.63 (15.9)
1/8	3/8	FBT2-HTSE-MBT6-	0.95 (24.2)	0.41 (10.4)	0.31 (7.9)	1.07 (27.2)	0.56 (14.2)	0.75 (19.1)
1/4	1/4	FBT4-HTSE-MBT4-	1.00 (25.4)	0.59 (15.0)	0.25 (6.4)	1.06 (27.0)	0.56 (14.2)	0.75 (19.1)
1/4	3/8	FBT4-HTSE-MBT6-	1.00 (25.4)	0.59 (15.0)	0.31 (7.9)	1.06 (27.0)	0.56 (14.2)	0.75 (19.1)
1/4	1/2	FBT4-HTSE-MBT8-	1.15 (29.1)	0.59 (15.0)	0.38 (9.6)	1.40 (35.5)	0.75 (19.1)	1.00 (25.4)
3/8	3/8	FBT6-HTSE-MBT6-	1.20 (30.6)	0.59 (15.0)	0.31 (7.9)	1.20 (30.6)	0.56 (14.2)	1.00 (25.4)
3/8	1/2	FBT6-HTSE-MBT8-	1.20 (30.6)	0.59 (15.0)	0.38 (9.6)	1.38 (35.0)	0.75(19.1)	1.00 (25.4)
3/8	3/4	FBT6-HTSE-MBT12-	1.23 (31.2)	0.59 (15.0)	0.54 (13.8)	1.56 (39.6)	0.75(19.1)	1.37 (34.9)
1/2	1/2	FBT8-HTSE-MBT8-	1.50 (38.1)	0.78 (19.8)	0.38 (9.6)	1.61 (40.8)	0.75(19.1)	1.37 (34.9)
1/2	3/4	FBT8-HTSE-MBT12-	1.43 (36.2)	0.78 (19.8)	0.58 (14.8)	1.61 (40.8)	0.75(19.1)	1.37 (34.9)
1/2	1	FBT8-HTSE-MBT16-	1.45 (36.9)	0.78 (19.8)	0.67 (17.0)	1.86 (47.3)	0.94 (23.9)	1.37 (34.9)
3/4	3/4	FBT12-HTSE-MBT12-	1.50 (38.1)	0.81 (20.6)	0.58 (14.8)	1.77 (44.9)	0.75(19.1)	1.50(38.1)
3/4	1	FBT12-HTSE-MBT16-	1.63 (41.4)	0.81 (20.6)	0.79 (20.0)	1.86 (47.3)	0.94 (23.9)	1.50(38.1)
1	1	FBT16-HTSE-MBT16-	1.91 (48.5)	1.00 (25.4)	0.79 (20.0)	2.07 (52.5)	0.94 (23.9)	1.75 (44.5)

Female Elbows



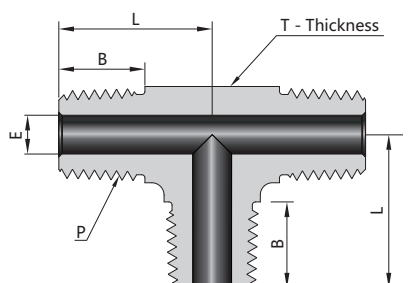
Female NPT Threads

P-NPT Size	Ordering Number	Dimension, in. (mm)			
		L	B	E	T
1/8	FNPT2-HTFE-FNPT2-	0.75 (19.1)	0.41 (10.4)	0.31 (8.0)	0.63 (15.9)
1/4	FNPT4-HTFE-FNPT4-	1.00 (25.4)	0.59 (15.0)	0.41 (10.4)	0.75 (19.1)
3/8	FNPT6-HTFE-FNPT6-	1.20 (30.6)	0.59(19.0)	0.54 (13.8)	1.00 (25.4)
1/2	FNPT8-HTFE-FNPT8-	1.50 (38.1)	0.78 (19.8)	0.67 (17.0)	1.37 (34.9)
3/4	FNPT12-HTFE-FNPT12-	1.50 (38.1)	0.81 (20.6)	0.88 (22.3)	1.50 (38.1)
1	FNPT16-HTFE-FNPT16-	1.91 (48.5)	1.00 (25.4)	1.11 (28.1)	1.75 (44.5)

Female BSPT Tapered Threads

P-BSPT Size	Ordering Number	Dimension, in. (mm)			
		L	B	E	T
1/8	FBT2-HTFE-FBT2-	0.75 (19.1)	0.41 (10.4)	0.31 (8.0)	0.63 (15.9)
1/4	FBT4-HTFE-FBT4-	1.00 (25.4)	0.59 (15.0)	0.41 (10.4)	0.75 (19.1)
3/8	FBT6-HTFE-FBT6-	1.20 (30.6)	0.59(19.0)	0.54 (13.8)	1.00 (25.4)
1/2	FBT8-HTFE-FBT8-	1.50 (38.1)	0.78 (19.8)	0.67 (17.0)	1.37 (34.9)
3/4	FBT12-HTFE-FBT12-	1.50 (38.1)	0.81 (20.6)	0.88 (22.3)	1.50 (38.1)
1	FBT16-HTFE-FBT16-	1.91 (48.5)	1.00 (25.4)	1.11 (28.1)	1.75 (44.5)

Male Tees



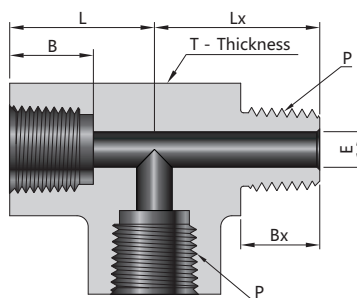
Male NPT Threads

P-NPT Size	Ordering Number	Dimension, in. (mm)			
		L	B	E	T
1/8	NPT2-HTMT-NPT2-NPT2-	0.75 (19.1)	0.38 (9.7)	0.19 (4.8)	0.50 (12.7)
1/4	NPT4-HTMT-NPT4-NPT4-	1.00 (25.4)	0.56 (14.2)	0.25 (6.4)	0.63 (15.9)
3/8	NPT6-HTMT-NPT6-NPT6-	1.10 (28.0)	0.56 (14.2)	0.31 (7.9)	0.75(19.1)
1/2	NPT8-HTMT-NPT8-NPT8-	1.44 (36.6)	0.75 (19.1)	0.38 (9.6)	1.00 (25.4)
3/4	NPT12-HTMT-NPT12-NPT12-	1.56 (39.6)	0.75 (19.1)	0.58 (14.8)	1.37 (34.9)
1	NPT16-HTMT-NPT16-NPT16-	1.89 (48.0)	0.94 (23.9)	0.79 (20.0)	1.50 (38.1)

Male BSPT Tapered Threads

P-BSPT Size	Ordering Number	Dimension, in. (mm)			
		L	B	E	T
1/8	MBT2-HTMT-MBT2-MBT2-	0.75 (19.1)	0.38 (9.7)	0.19 (4.8)	0.50 (12.7)
1/4	MBT4-HTMT-MBT4-MBT4-	1.00 (25.4)	0.56 (14.2)	0.25 (6.4)	0.63 (15.9)
3/8	MBT6-HTMT-MBT6-MBT6-	1.10 (28.0)	0.56 (14.2)	0.31 (7.9)	0.75(19.1)
1/2	MBT8-HTMT-MBT8-MBT8-	1.44 (36.6)	0.75 (19.1)	0.38 (9.6)	1.00 (25.4)
3/4	MBT12-HTMT-MBT12-MBT12-	1.56 (39.6)	0.75 (19.1)	0.58 (14.8)	1.37 (34.9)
1	MBT16-HTMT-MBT16-MBT16-	1.89 (48.0)	0.94 (23.9)	0.79 (20.0)	1.50 (38.1)

Male Street Tees



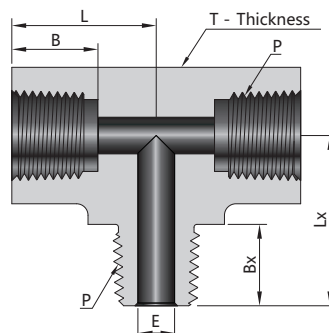
NPT Threads

P-NPT Size	Ordering Number	Dimension, in. (mm)					
		L	B	Lx	Bx	E	T
1/8	FNPT2-HTMST-NPT2-FNPT2-	0.75 (19.1)	0.41 (10.4)	0.75 (19.1)	0.38 (9.7)	0.19 (4.8)	0.63 (15.9)
1/4	FNPT4-HTMST-NPT4-FNPT4-	1.00 (25.4)	0.59 (15.0)	1.06 (27.0)	0.56 (14.2)	0.25 (6.4)	0.75 (19.1)
3/8	FNPT6-HTMST-NPT6-FNPT6-	1.20 (30.6)	0.59 (15.0)	1.20 (30.6)	0.56 (14.2)	0.31 (7.9)	1.00 (25.4)
1/2	FNPT8-HTMST-NPT8-FNPT8-	1.50 (38.1)	0.78 (19.8)	1.61 (40.8)	0.75 (19.1)	0.38 (9.6)	1.37 (34.9)
3/4	FNPT12-HTMST-NPT12-FNPT12-	1.50 (38.1)	0.81 (20.6)	1.77 (44.9)	0.75 (19.1)	0.58 (14.8)	1.50 (38.1)
1	FNPT16-HTMST-NPT16-FNPT16-	1.91 (48.5)	1.00 (25.4)	2.07 (52.5)	0.94 (23.9)	0.79 (20.0)	1.75 (44.5)

BSPT Tapered Pipe Threads

P-BSPT Size	Ordering Number	Dimension, in. (mm)					
		L	B	Lx	Bx	E	T
1/8	FBT2-HTMST-MBT2-FBT2-	0.75(19.1)	0.41(10.4)	0.75 (19.1)	0.38(9.7)	0.19(4.8)	0.63(15.9)
1/4	FBT4-HTMST-MBT4-FBT4-	1.00 (25.4)	0.59(15.0)	1.06 (27.0)	0.56(14.2)	0.25(6.4)	0.75 (19.1)
3/8	FBT6-HTMST-MBT6-FBT6-	1.20 (30.6)	0.59(15.0)	1.20 (30.6)	0.56(14.2)	0.31(7.9)	1.00 (25.4)
1/2	FBT8-HTMST-MBT8-FBT8-	1.50 (38.1)	0.78(19.8)	0.61(40.8)	0.75(19.1)	0.38(9.6)	1.37(34.9)
3/4	FBT12-HTMST-MBT12-FBT12-	1.50 (38.1)	0.81(20.6)	1.77 (44.9)	0.75(19.1)	0.58(14.8)	1.50(38.1)
1	FBT16-HTMST-MBT16-FBT16-	1.91 (48.5)	1.00(25.4)	2.07 (52.5)	0.94(23.9)	0.79(20.0)	1.75(44.5)

Male Branch Tees



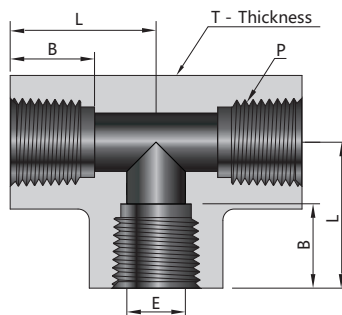
NPT Threads

P-NPT Size	Ordering Number	Dimension, in. (mm)					
		L	B	Lx	Bx	E	T
1/8	FNPT2-HTMBT-FNPT2-NPT2-	0.75 (19.1)	0.41 (10.4)	0.75(19.1)	0.38 (9.7)	0.19 (4.8)	0.63 (15.9)
1/4	FNPT4-HTMBT-FNPT4-NPT4-	1.00 (25.4)	0.59 (15.0)	1.06 (27.0)	0.56 (14.2)	0.25 (6.4)	0.75 (19.1)
3/8	FNPT6-HTMBT-FNPT6-NPT6-	1.20 (30.6)	0.59 (15.0)	1.20 (30.6)	0.56 (14.2)	0.31 (7.9)	1.00 (25.4)
1/2	FNPT8-HTMBT-FNPT8-NPT8-	1.50 (38.1)	0.78 (19.8)	1.61 (40.8)	0.75 (19.1)	0.38 (9.6)	1.37 (34.9)
3/4	FNPT12-HTMBT-FNPT12-NPT12-	1.50(38.1)	0.81 (20.6)	1.77 (44.9)	0.75 (19.1)	0.58 (14.8)	1.50 (38.1)
1	FNPT16-HTMBT-FNPT16-NPT16-	1.91 (48.5)	1.00 (25.4)	2.07 (52.5)	0.94 (23.9)	0.79 (20.0)	1.75 (44.5)

BSPT Tapered Pipe Threads

P-BSPT Size	Ordering Number	Dimension, in. (mm)					
		L	B	Lx	Bx	E	T
1/8	FBT2-HTMBT-FBT2-MBT2-	0.75 (19.1)	0.41 (10.4)	0.75(19.1)	0.38 (9.7)	0.19 (4.8)	0.63 (15.9)
1/4	FBT4-HTMBT-FBT4-MBT4-	1.00 (25.4)	0.59 (15.0)	1.06 (27.0)	0.56 (14.2)	0.25 (6.4)	0.75 (19.1)
3/8	FBT6-HTMBT-FBT6-MBT6-	1.20 (30.6)	0.59 (15.0)	1.20 (30.6)	0.56 (14.2)	0.31 (7.9)	1.00 (25.4)
1/2	FBT8-HTMBT-FBT8-MBT8-	1.50 (38.1)	0.78 (19.8)	1.61 (40.8)	0.75 (19.1)	0.38 (9.6)	1.37 (34.9)
3/4	FBT12-HTMBT-FBT12-MBT12-	1.50(38.1)	0.81 (20.6)	1.77 (44.9)	0.75 (19.1)	0.58 (14.8)	1.50 (38.1)
1	FBT16-HTMBT-FBT16-MBT16-	1.91 (48.5)	1.00 (25.4)	2.07 (52.5)	0.94 (23.9)	0.79 (20.0)	1.75 (44.5)

Female Tees



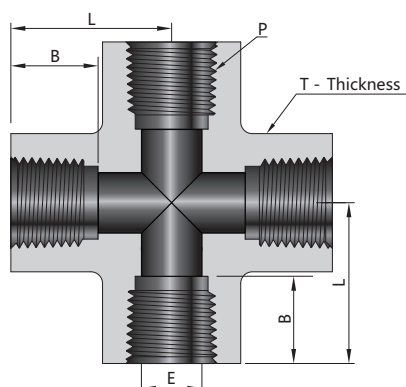
Female NPT Threads

P-NPT Size	Ordering Number	Dimension, in. (mm)			
		L	B	E	T
1/8	FNPT2-HTFT-FNPT2-FNPT2-	0.75(19.1)	0.41(10.4)	0.31(8.0)	0.63(15.9)
1/4	FNPT4-HTFT-FNPT4-FNPT4-	1.00(25.4)	0.59(15.0)	0.41(10.4)	0.75(19.1)
3/8	FNPT6-HTFT-FNPT6-FNPT6-	1.20(30.6)	0.59(15.0)	0.54(13.8)	1.00(25.4)
1/2	FNPT8-HTFT-FNPT8-FNPT8-	1.50(38.1)	0.78(19.8)	0.67(17.0)	1.37(34.9)
3/4	FNPT12-HTFT-FNPT12-FNPT12-	1.50(38.1)	0.81(20.6)	0.88(22.8)	1.50(38.1)
1	FNPT16-HTFT-FNPT16-FNPT16-	1.91(48.5)	1.00(25.4)	1.11(28.7)	1.75(44.5)

Female BSPT Tapered Pipe Threads

P-BSPT Size	Ordering Number	Dimension, in. (mm)			
		L	B	E	T
1/8	FBT2-HTFT-FBT2-FBT2-	0.75(19.1)	0.41(10.4)	0.31(8.0)	0.63(15.9)
1/4	FBT4-HTFT-FBT4-FBT4-	1.00(25.4)	0.59(15.0)	0.41(10.4)	0.75(19.1)
3/8	FBT6-HTFT-FBT6-FBT6-	1.20(30.6)	0.59(15.0)	0.54(13.8)	1.00(25.4)
1/2	FBT8-HTFT-FBT8-FBT8-	1.50(38.1)	0.78(19.8)	0.69(17.4)	1.37(34.9)
3/4	FBT12-HTFT-FBT12-FBT12-	1.50(38.1)	0.81(20.6)	0.90(22.8)	1.50(38.1)
1	FBT16-HTFT-FBT16-FBT16-	1.91(48.5)	1.00(25.4)	1.13(28.7)	1.75(44.5)

Female Crosses



Female NPT Threads

P-NPT Size	Ordering Number	Dimension, in. (mm)			
		L	B	E	T
1/8	FNPT2-HTFC-FNPT2-FNPT2-FNPT2-	0.75 (19.1)	0.41 (10.4)	0.31 (8.0)	0.63 (15.9)
1/4	FNPT4-HTFC-FNPT4-FNPT4-FNPT4-	1.00 (25.4)	0.59 (15.0)	0.41 (10.4)	0.75 (19.1)
3/8	FNPT6-HTFC-FNPT6-FNPT6-FNPT6-	1.20 (30.6)	0.59 (15.0)	0.54 (13.8)	1.00 (25.4)
1/2	FNPT8-HTFC-FNPT8-FNPT8-FNPT8-	1.50 (38.1)	0.78 (19.8)	0.67 (17.0)	1.37 (34.9)
3/4	FNPT12-HTFC-FNPT12-FNPT12-FNPT12-	1.50 (38.1)	0.81 (20.6)	0.88 (22.8)	1.50 (38.1)
1	FNPT16-HTFC-FNPT16-FNPT16-FNPT16-	1.91 (48.5)	1.00 (25.4)	1.11 (28.7)	1.75 (44.5)

Female BSPT Tapered Pipe Threads

P-BSPT Size	Ordering Number	Dimension, in. (mm)			
		L	B	E	T
1/8	FBT2-HTFC-FBT2-FBT2-FBT2-	0.75 (19.1)	0.41 (10.4)	0.31 (8.0)	0.63 (15.9)
1/4	FBT4-HTFC-FBT4-FBT4-FBT4-	1.00 (25.4)	0.59 (15.0)	0.41 (10.4)	0.75 (19.1)
3/8	FBT6-HTFC-FBT6-FBT6-FBT6-	1.20 (30.6)	0.59 (15.0)	0.54 (13.8)	1.00 (25.4)
1/2	FBT8-HTFC-FBT8-FBT8-FBT8-	1.50 (38.1)	0.78 (19.8)	0.69 (17.4)	1.37 (34.9)
3/4	FBT12-HTFC-FBT12-FBT12-FBT12-	1.50 (38.1)	0.81 (20.6)	0.90 (22.8)	1.50 (38.1)
1	FBT16-HTFC-FBT16-FBT16-FBT16-	1.91 (48.5)	1.00 (25.4)	1.13 (28.7)	1.75 (44.5)