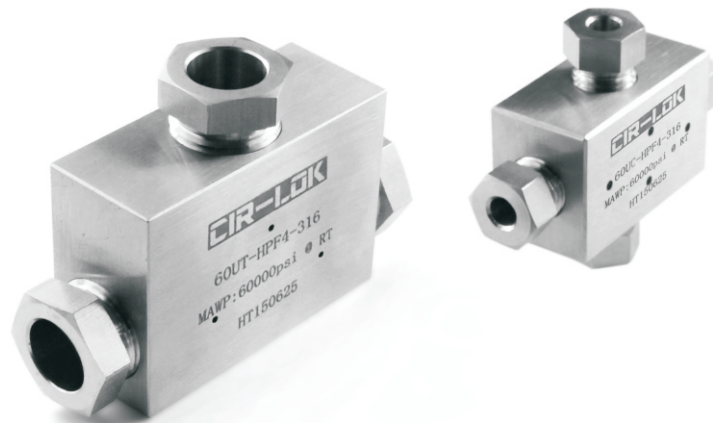


High Pressure Fittings Nipples and Tubing

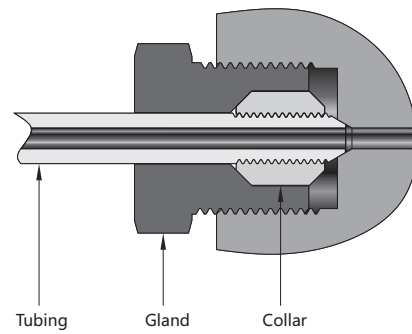
60 Series, 60,000 psi (4,136 bar)



- ❖ Coned-and-Threaded Connection
- ❖ Available sizes are 1/4, 3/8 and 9/16 in.
- ❖ Working temperature from -423°F to 1200°F (-252°C to 649°C)
- ❖ Special 316 stainless steel and Alloy 826 material

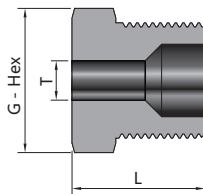
Typical 60 Series fittings Assemblies

- ❖ Coned-and-Threaded Connection
- ❖ Available sizes are 1/4, 3/8 and 9/16 in.
- ❖ Working temperature from -423°F to 1200°F (-252°C to 649°C)
- ❖ Special 316 stainless steel and Alloy 826 material
- ❖ Anti-vibration connection components available
- ❖ CIR-LOK 60 series high pressure fittings are designed for use with 30 and 60 series high pressure valves



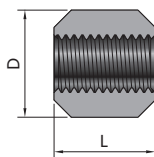
Dimensions

Glands



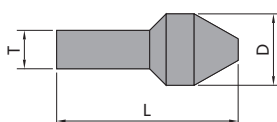
T-Tube O.D. in.	Ordering Number	Dimensions, in. (mm)	
		G	L
1/4	60G-HPF4-	0.63 (15.9)	0.82 (20.8)
3/8	60G-HPF6-	0.81 (20.6)	1.13 (28.7)
9/16	60G-HPF9-	1.19 (30.2)	1.50 (38.1)

Collars



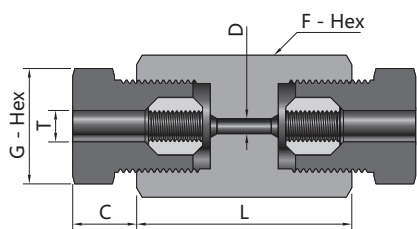
T-Tube O.D. in.	Ordering Number	Dimensions, in. (mm)	
		D	L
1/4	60C-HPF4-	0.38 (9.6)	0.38 (9.6)
3/8	60C-HPF6-	0.50 (12.7)	0.54 (13.7)
9/16	60C-HPF9-	0.81 (20.6)	0.62 (15.8)

Plugs



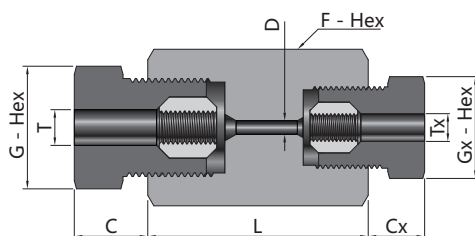
T-Tube O.D. in.	Ordering Number	Dimensions, in. (mm)	
		D	L
1/4	60P-HPF4-	0.38 (9.6)	1.04 (26.4)
3/8	60P-HPF6-	0.50 (12.7)	1.35 (34.3)
9/16	60P-HPF9-	0.81 (20.6)	1.89 (48.0)

Union Couplings



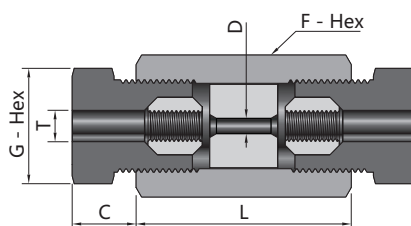
T-Tube O.D. in.	Ordering Number	Dimensions, in. (mm)				
		L	C	D	G	F
1/4	60U-HPF4-	1.38 (34.9)	0.50 (12.7)	0.09 (2.3)	0.63 (15.9)	0.75 (19.1)
3/8	60U-HPF6-	1.75 (44.5)	0.53 (13.5)	0.13 (3.3)	0.81 (20.6)	1.00 (25.4)
9/16	60U-HPF9-	2.19 (55.6)	0.81 (20.6)	0.19 (4.8)	1.19 (30.2)	1.38 (34.9)

Reducing Union Couplings



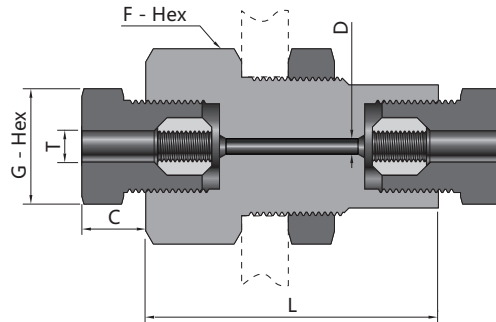
T-Tube O.D. in.	Tx-Tube O.D. in.	Ordering Number	Dimensions, in. (mm)						
			L	C	Cx	D	G	Gx	F
3/8	1/4	HPF6-60RU-HPF4-	1.63 (41.3)	0.53 (13.5)	0.50 (12.7)	0.09 (2.3)	0.81 (20.6)	0.63 (15.9)	1.00 (25.4)
9/16	1/4	HPF9-60RU-HPF4-	1.75 (44.5)	0.81 (20.6)	0.50 (12.7)	0.09 (2.3)	1.19 (30.2)	0.63 (15.9)	1.38 (34.9)
9/16	3/8	HPF9-60RU-HPF6-	2.00 (50.8)	0.81 (20.6)	0.53 (13.5)	0.13 (3.3)	1.19 (30.2)	0.81 (20.6)	1.38 (34.9)

Union Couplings (Slip Type)



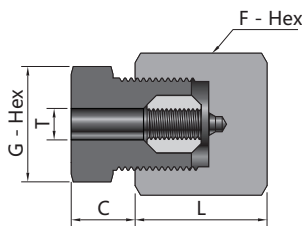
T-Tube O.D. in.	Ordering Number	Dimensions, in. (mm)				
		L	C	D	G	F
1/4	60SU-HPF4-	1.38 (34.9)	0.50 (12.7)	0.09 (2.3)	0.63 (15.9)	0.75 (19.1)
3/8	60SU-HPF6-	1.75 (44.5)	0.53 (13.5)	0.13 (3.3)	0.81 (20.6)	1.00 (25.4)
9/16	60SU-HPF9-	2.19 (55.6)	0.81 (20.6)	0.19 (4.8)	1.19 (30.2)	1.38 (34.9)

Bulkhead Couplings



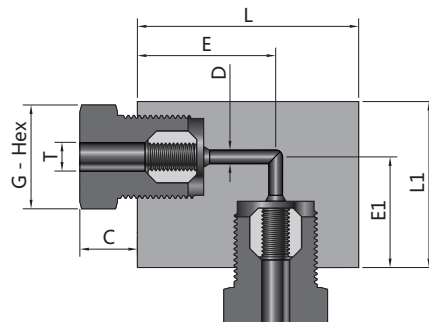
T-Tube O.D. in.	Ordering Number	Dimensions, in. (mm)						
		L	C	D	G	F	Panel Hole Size	Max. Panel Thickness
1/4	60BU-HPF4-	1.88 (47.8)	0.50 (12.7)	0.09 (2.3)	0.63 (15.9)	1.06 (27.0)	0.94 (23.9)	0.38 (9.7)
3/8	60BU-HPF6-	2.38 (60.5)	0.53 (13.5)	0.13 (3.3)	0.81 (20.6)	1.38 (34.9)	1.13 (28.6)	0.38 (9.7)
9/16	60BU-HPF9-	2.75 (69.9)	0.81 (20.6)	0.19 (4.8)	1.19 (30.2)	1.88 (47.6)	1.69 (42.9)	0.38 (9.7)

Caps



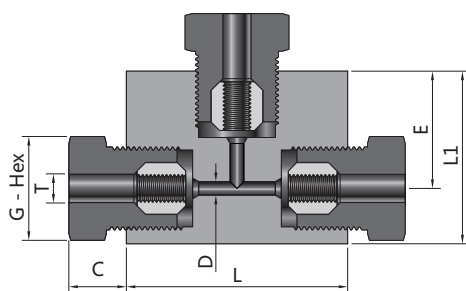
T-Tube O.D. in.	Ordering Number	Dimensions, in. (mm)			
		L	C	G	F
1/4	60CA-HPF4-	0.75 (19.1)	0.50 (12.7)	0.63 (15.9)	0.75 (19.1)
3/8	60CA-HPF6-	1.13 (28.6)	0.53 (13.5)	0.81 (20.6)	1.00 (25.4)
9/16	60CA-HPF9-	1.38 (34.9)	0.81 (20.6)	1.19 (30.2)	1.38 (34.9)

Elbows



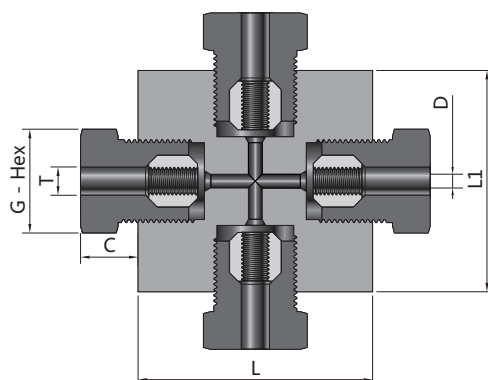
T-Tube O.D. in.	Ordering Number	Dimensions, in. (mm)							
		C	D	G	L	E	L1	E1	Thickness
1/4	60UE-HPF4-	0.50 (12.7)	0.09 (2.3)	0.63 (15.9)	1.50 (38.1)	0.88 (22.4)	1.00 (25.4)	0.62 (15.7)	0.75 (19.1)
3/8	60UE-HPF6-	0.53 (13.5)	0.13 (3.3)	0.81 (20.6)	2.00 (50.8)	1.25 (31.8)	1.50 (38.1)	1.00 (25.4)	1.00 (25.4)
9/16	60UE-HPF9-	0.81 (20.6)	0.19 (4.8)	1.19 (30.2)	2.62 (66.5)	1.88 (47.8)	1.88 (47.8)	1.12 (28.4)	1.50 (38.1)

Tees



T-Tube O.D. in.	Ordering Number	Dimensions, in. (mm)						
		C	D	G	L	L1	E	Thickness
1/4	60UT-HPF4-	0.50 (12.7)	0.09 (2.3)	0.63 (15.9)	2.00 (50.8)	1.25 (31.8)	0.88 (22.4)	0.75 (19.1)
3/8	60UT-HPF6-	0.53 (13.5)	0.13 (3.3)	0.81 (20.6)	2.00 (50.8)	1.56 (39.6)	1.06 (26.9)	1.00 (25.4)
9/16	60UT-HPF9-	0.81 (20.6)	0.19 (4.8)	1.19 (30.2)	2.62 (66.5)	2.12 (53.8)	1.38 (35.0)	1.50 (38.1)

Crosses



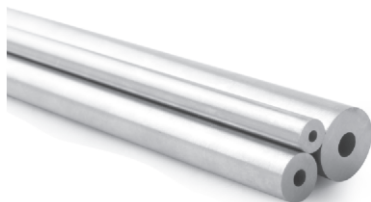
T-Tube O.D. in.	Ordering Number	Dimensions, in. (mm)					
		C	D	G	L	L1	Thickness
1/4	60UC-HPF4-	0.50 (12.7)	0.09 (2.3)	0.63 (15.9)	2.00 (50.8)	1.25 (31.8)	0.75 (19.1)
3/8	60UC-HPF6-	0.53 (13.5)	0.13 (3.3)	0.81 (20.6)	2.00 (50.8)	2.12 (53.8)	1.00 (25.4)
9/16	60UC-HPF9-	0.81 (20.6)	0.19 (4.8)	1.19 (30.2)	2.62 (66.5)	2.75 (69.9)	1.50 (38.1)

Ordering Information

❖ To order CIR-LOK 60 series high pressure fittings, add the material designator (316 or A825) to the ordering number

60 Series Tubing

- ❖ Working pressure: 60000 psig (4137 bar)
- ❖ 316 and 304 stainless steel are standard materials. Other materials are available upon request
- ❖ Material, size and heat code are indicated on the tubing surface



T-Tube O.D. in.	Tx-Tube O.D. in.	Material	Basic Ordering Number	Tolerance O.D. in. (mm)
1/4	0.083	316 S.S.	FT-4-0.083-6M-	0.248/0.243 (6.30/6.17)
3/8	0.125	316 S.S.	FT-6-0.125-6M-	0.370/0.365 (9.40/9.27)
9/16	0.188	316 S.S.	FT-9-0.188-6M-	0.557/0.552 (14.15/14.02)

Working Pressure

T-Tube O.D. in.	Working Pressure, psig (bar)				
	-423 to 100°F (-252 to 37.8°C)	200°F (93°C)	400°F (204°C)	600°F (316°C)	800°F (427°C)
1/4	60000 (4137)	60000 (4137)	57750 (3982)	54250 (3740)	50700 (3496)
3/8	60000 (4137)	60000 (4137)	57750 (3982)	54250 (3740)	50700 (3496)
9/16	60000 (4137)	60000 (4137)	57750 (3982)	54250 (3740)	50700 (3496)

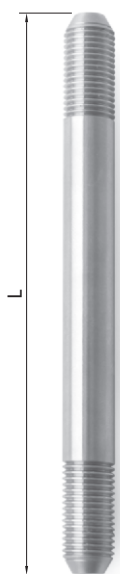
Ordering Information

- ❖ To order CIR-LOK 60 series high pressure tubing, add the material designator (316 or A825) to the basic ordering number

Coned and Threaded Nipples

❖ CIR-LOK supplies precut, coned-and-threaded nipples in various sizes and lengths for 60 series high pressure valves and fittings

Dimensions



Coned and Threaded Nipples

T-Tube O.D. in.	Tx-Tube O.D. in.	Ordering Number	L in. (mm)
1/4	0.083	NIP-HPF4-2.75	2.75 (69.9)
1/4	0.083	NIP-HPF4-3	3 (76.2)
1/4	0.083	NIP-HPF4-4	4 (101.6)
1/4	0.083	NIP-HPF4-6	6 (152.4)
1/4	0.083	NIP-HPF4-8	8 (203.2)
1/4	0.083	NIP-HPF4-10	10 (254.0)
1/4	0.083	NIP-HPF4-12	12 (304.8)
3/8	0.125	NIP-HPF6-3	3 (76.2)
3/8	0.125	NIP-HPF6-4	4 (101.6)
3/8	0.125	NIP-HPF6-6	6 (152.4)
3/8	0.125	NIP-HPF6-8	8 (203.2)
3/8	0.125	NIP-HPF6-10	10 (254.0)
3/8	0.125	NIP-HPF6-12	12 (304.8)
9/16	0.188	NIP-HPF9-4	4 (101.6)
9/16	0.188	NIP-HPF9-6	6 (152.4)
9/16	0.188	NIP-HPF9-8	8 (203.2)
9/16	0.188	NIP-HPF9-10	10 (254.0)
9/16	0.188	NIP-HPF9-12	12 (304.8)

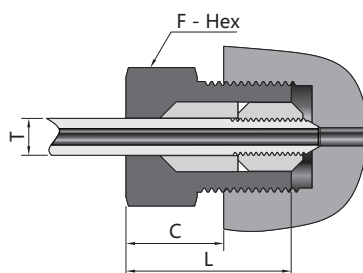
Ordering Information

❖ To order CIR-LOK 60 series high pressure nipples, add the material designator (316 or A825) to the basic ordering number

Anti-Vibration Collet Gland Assemblies

- ❖ Anti-vibration collet gland assembly sizes from 1/4, 3/8 and 9/16 in.
- ❖ Completely interchangeable with standard CIR-LOK 60 series high pressure connections
- ❖ Moving the stress concentration back to the unthreaded part of the tubing and providing a wedge-typegripping action
- ❖ Anti-vibration collet gland assembly strengthens the entire structure

Typical 60 Series anti-vibration collet gland assembly



Dimensions

T-Tube O.D. in.	Basic Ordering Number	Dimensions, in. (mm)		
		L	G	F
1/4	AVA-HPF4-	0.81 (20.6)	0.50 (12.7)	0.63 (15.9)
3/8	AVA-HPF6-	1.12 (28.4)	0.62 (15.7)	0.81 (20.6)
9/16	AVA-HPF9-	1.50 (38.1)	1.00 (25.4)	1.19 (30.2)

Ordering Information

- ❖ To order CIR-LOK 60 series anti-vibration collet gland assembly, add the material designator (316 or A825) to the basic ordering number