

Ball Valves

BV3 Series Hex Bar Stock

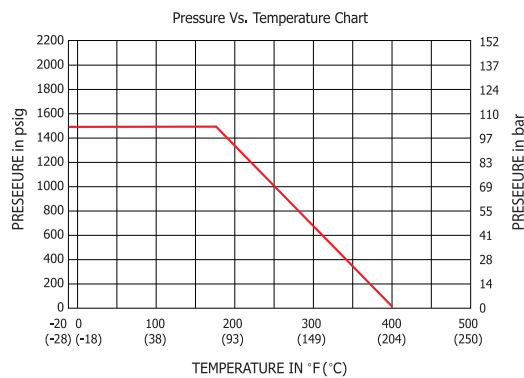


- ❖ Maximum working pressure: 1500 psig (103.4 bar)
- ❖ Working temperature: -20°F to 450°F (-28°C to 232°C)
- ❖ 316 stainless steel and steel body material
- ❖ Variety of end connections

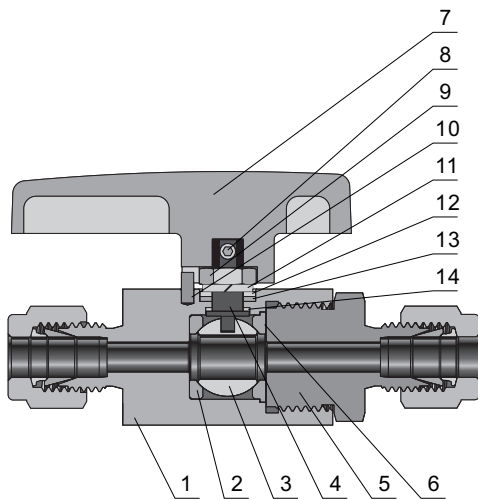
Features

- ❖ Maximum working pressure: 1500 psig (103.4 bar)
- ❖ Working temperature: -20°F to 450°F (-28°C to 232°C)
- ❖ Compact and economical design
- ❖ Free floating ball design for seat wear compensation
- ❖ Bi-directional flow
- ❖ Blowout proof stem
- ❖ Options for handle color

Pressure vs. Temperature

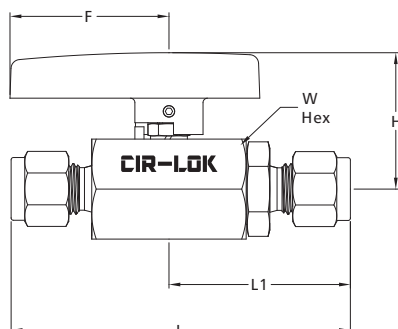


Standard Materials of Construction



| Item | Component | Material Grade/ASTM Specification | | |
|------|-------------|-----------------------------------|---------------|-----------|
| | | 316 S.S. | 304 S.S. | Brass |
| 1 | Body | 316 S.S./A276 | 304 S.S./A276 | Brass/B16 |
| 2 | Seat | PTFE/D1710 | | |
| 3 | Ball | 316 S.S./A276 | | |
| 4 | Stem | 316 S.S./A276 | | |
| 5 | Connector | 316 S.S./A276 | 304 S.S./A276 | Brass/B16 |
| 6 | Seat | PTFE/D1710 | | |
| 7 | Handle | Aluminum | | |
| 8 | Screw | S17400/A564 | | |
| 9 | Nut | 316 S.S./A194 | | |
| 10 | Pin | 304 S.S./A276 | | |
| 11 | Washer | 304 S.S. | | |
| 12 | Gland | 316 S.S./A276 | | |
| 13 | Packing | PTFE/D1710 | | |
| 14 | Stem Washer | PTFE/D1710 | | |

Dimensions



| Basic Ordering Number | Connection Type and Size | Orifice in. (mm) | Cv | Dimension, in. (mm) | | | |
|-----------------------|--------------------------|------------------|-----|---------------------|----------------|-----------------|--------------|
| | | | | L | L1 | W | H |
| BV3-M6-05- | 6 mm CIR-LOK | 0.187 (4.7) | 1.0 | 2.63 (66.8) | 1.50 (38.1) | 3/4 (19.05) | 1.18 (30) |
| BV3-M8-05- | 8 mm CIR-LOK | | | | | | |
| BV3-F4-05- | 1/4" CIR-LOK | | | | | | |
| BV3-F5-05- | 5/16" CIR-LOK | | | | | | |
| BV3-FNPT2-05- | 1/8 Female NPT | | | 1.85 (47.0) | 1.08 (27.4) | | |
| BV3-FBP2-05- | 1/8 Female BSPP | | | | | | |
| BV3-FBP4-05- | 1/4 Female BSPP | | | | | | |
| BV3-FNPT4-05- | 1/4 Female NPT | | | | | | |
| BV3-M10-06- | 10 mm CIR-LOK | 0.25 (6.4) | 2.3 | 2.87 (72.9) | 1.68 (42.7) | 7/8 (22.23) | |
| BV3-F6-06- | 3/8" CIR-LOK | | | | | | |
| BV3-FBP6-06- | 3/8 Female BSPP | | | 2.03 (51.6) | 1.18 (30.0) | | |
| BV3-FNPT6-06- | 3/8 Female NPT | | | | | | |
| BV3-M12-10- | 12 mm CIR-LOK | 0.406 (10.3) | 6.4 | 3.15 (80.0) | 1.83 (46.5) | 15/16 (24.0) | 1.54 (39) |
| BV3-F8-10- | 1/2" CIR-LOK | | | | | | |
| BV3-F10-10- | 5/8" CIR-LOK | | | 2.05 (52.1) | 1.12 (28.5) | | |
| BV3-FBP8-10- | 1/2 Female BSPP | | | | | | |
| BV3-FNPT8-10- | 1/2 Female NPT | | | | | | |

❖ If working pressure up to 6,000 psi, please refer to BV36 series.
 If working pressure up to 10,000 psi, please refer to BV31 series.

How to Order

BV3 — M12 — FNPT8 — T10 — Y — 316

| Series | Inlet Type | Inlet Size | Outlet Type | Outlet Size | Seat Material | Orifice Size | Handle | Body Material | |
|------------|--|-----------------------|---|-------------|---------------|-------------------------------|--------------------------|-----------------------|-----------------------|
| BV3 | FNPT Female NPT | 2 1/8 in. | Same as inlet type and inlet size | | T PTFE | 05 0.187 in. (4.7 mm) | Black | 316 316 S.S. | |
| | NPT Male NPT | 3 3 mm | | | | | Aluminium | | 316L 316L S.S. |
| | FBT Female BSPT | 4 1/4 in. | | | | | Directional Handle (ADH) | | 304 304 S.S. |
| | MBT Male BSPT | 5 5/16 in. | If outlet and inlet are the same, eliminate the outlet designator | | | 10 0.406 in. (10.3 mm) | R Red ADH | 304L 304L S.S. | |
| | FMS Female ISO 261 | 6 3/8 in. or 6 mm | | | | G Green ADH | | | |
| | MS Male ISO 261 | 8 1/2 in. or 8 mm | | | | L Blue ADH | | | |
| | FBP Female BSPP | 10 10 mm | | | | Y Yellow ADH | | | |
| | MBP Male BSPP | 12 3/4 in. or 12 mm | | | | BL Black Lever Handle | | | |
| | MBP Male BSPP | 14 14 mm | | | | RL Red Lever Handle | | | |
| | F Fractional Tube Fitting | 16 1 in. or 16 mm | | | | GL Green Lever Handle | | | |
| | M Metric Tube Fitting | 18 18 mm | | | | LL Blue Lever Handle | | | |
| | UGF Nut + Gasket + Bulge Fractional Tube Nipple | 20 1 1/4 in. or 20 mm | | | | YL Yellow Lever Handle | | | |
| | UGM Nut + Gasket + Metric Tube Bulge Nipple | 22 22 mm | | | | | | | |
| | 25 1 in. or 25 mm | | | | | | | | |