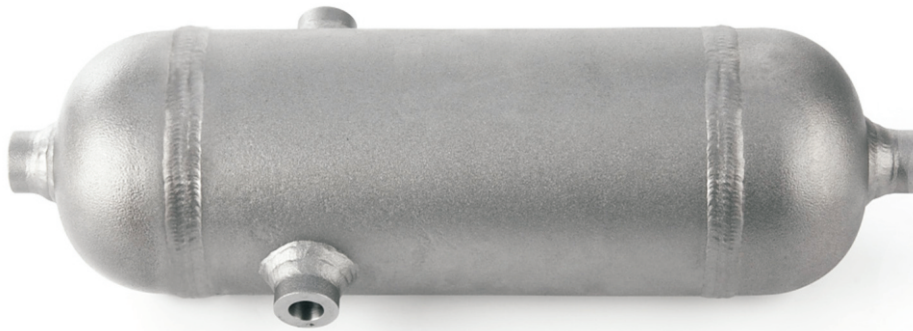


# Condensate Pots

CP1 Series

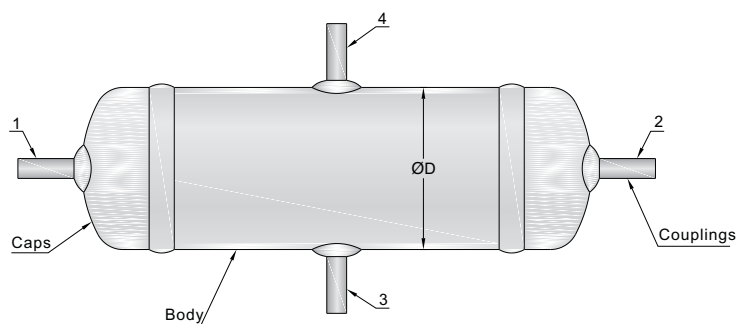


- ❖ Maximum working pressure up to 6000 psig (413 bar)
- ❖ Working temperature from -65°F to 850°F (-53°C to 454°C)
- ❖ 304 and 316 stainless steel material

## Features

- ❖ Maximum working pressure up to 6000 psig (413 bar)
- ❖ Working temperature from -65°F to 850°F (-53°C to 454°C)
- ❖ 304 and 316 stainless steel material
- ❖ Socket weld connection according to ASME B16.11
- ❖ Butt welding ends according to ASME B16.9
- ❖ NPT according to ASME B1.20.1 taper pipe thread
- ❖ Variety of end connections

## Standard Materials of Construction



Material	Body	Cap
316 S.S.	TP316/A312	F316/A182
316L S.S.	TP316L/A312	F316L/A182
304 S.S.	TP304/A312	F304/A182
304L S.S.	TP304L/A312	F304L/A182
CS	A106	A105

### Dimensions

Pipe	D (mm)	L (mm)	Capacity (L)
NPS 4	114.3	360	2.6

### Configuration

Schematic	Designator	Schematic	Designator	Schematic	Designator
	2A		2B		3A
	3B		4A		4B

## How to Order

**CP1 — 3B — FNPT8 — MSW14 — CL1500 — 316**

Series	Configuration	Port 1 Type	Port 1 Size	Port 2/3 /4 Type	Port 2/3 /4 Size	ASME Class	Body Material
CP1	2A	<b>FNPT</b> Female NPT	<b>2</b> 1/8 in.	Same as port 1 type and port 1 size		<b>CL150</b>	<b>316</b> 316 S.S.
	2B	<b>NPT</b> Male NPT	<b>4</b> 1/4 in.			<b>CL300</b>	<b>316L</b> 316L S.S.
	3A	<b>FBT</b> Female BSPT	<b>8</b> 1/2 in. or 8 mm	If port 2/3/4 and port 1 are the same, eliminate the port 2/3/4 designator		<b>CL600</b>	<b>304</b> 304 S.S.
	3B	<b>MBT</b> Male BSPT	<b>10</b> 10 mm			<b>CL900</b>	<b>304L</b> 304L S.S.
	4A	<b>FBP</b> Female BSPP	<b>12</b> 3/4 in. or 12 mm			<b>CL1500</b>	<b>CS</b> Steel
	4B	<b>MBP</b> Male BSPP	<b>14</b> 14 mm			<b>CL2500</b>	
		<b>FSW</b> Fractional Tube Socket Weld	<b>16</b> 1 in. or 16 mm				
		<b>MSW</b> Metric Tube Socket Weld					
		<b>FBW</b> Fractional Tube Butt Weld					
		<b>MBW</b> Metric Tube Butt Weld					
		<b>PSW</b> Pipe Socket Weld					
		<b>PBW</b> Pipe Butt Weld					