

Gauge Valves

GV1, GV2 Series

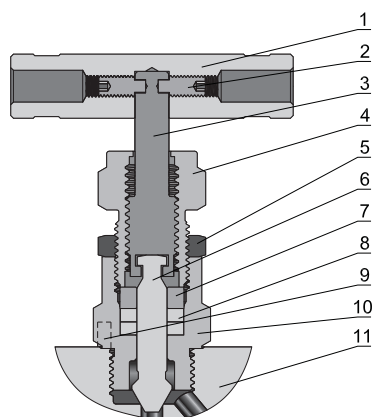


- ❖ Maximum working pressures up to 10000 psig (689 bar)
- ❖ Working temperature from -65°F to 1200°F (-54°C to 649°C)
- ❖ Non-rotating lower stem, blunt tip designs

Features

- ❖ Maximum working pressures:
 - GV1 up to 6000 psig (413 bar)
 - GV2 up to 10000 psig (689 bar)
- ❖ Working temperature:
 - PTFE packing: from -65°F to 450°F (-54°C to 232°C)
 - Graphite packing: from -65°F to 1200°F (-54°C to 649°C)
- ❖ Orifice size: 0.16" (4.0 mm)
- ❖ Non-rotating lower stem, ball tip designs
- ❖ Safety back seating seals in fully open position
- ❖ Rolled spindle operating threads
- ❖ Lubricant for stem thread isolated from the media
- ❖ Bonnet locking pin fitted as standard
- ❖ Low torque operating T bar handle
- ❖ Handle of different colors available for option

Standard Materials of Construction



Component		Material Grade/ASTM Specification		
		316 S.S.	Alloy 400	NACE MR0175
1	Handle	Anodized aluminum		
2	Set Screw	Nickel cadmium-plated steel		
3	Upper Stem	316 S.S./A276		
4	Packing Bolt	316 S.S./A276		
5	Nut	316 SS/B783		
6	Lower Stem	Chrome-plated 316 S.S./A276	Alloy R-405/B164	Alloy R-405/B164
7	Gland	316 S.S./A276		
8	Packing	PTFE or graphite		
9	Pin	304 S.S.		
10	Bonnet	316 S.S./A479	Alloy 400/B164	Annealed 316 S.S./A479
11	Body	316 S.S./A479 316 S.S./A182	Alloy 400/B164, B127,B564	Annealed 316 S.S./A479

Process interface valves for sour gas service are available.

Pressure vs. Temperature

GV1 Series

Material Name	316 S.S.	Alloy 400	Alloy 20	Alloy 600	Alloy C-276
Temperature, °F (°C)	Working Pressure, psig (bar)				
-65 (-53) to 100 (37)	6000 (413)	5000 (344)	5000 (344)	6000 (413)	6000 (413)
200 (93)	5160 (355)	4400 (303)	4640 (319)	5600 (385)	6000 (413)
250 (121)	4910 (338)	4260 (293)	4500 (310)	5460 (376)	6000 (413)
300 (148)	4660 (321)	4120 (283)	4360 (300)	5320 (366)	6000 (413)
350 (176)	4470 (307)	4050 (279)	4185 (288)	5220 (359)	5975 (411)
400 (204)	4280 (294)	3980 (274)	4010 (276)	5120 (352)	5880 (405)
450 (232)	4130 (284)	3970 (273)	3955 (272)	5030 (346)	5710 (393)
500 (260)	3980 (274)	3960 (272)	3900 (268)	4940 (340)	5540 (381)
600 (315)	3760 (259)	—	3790 (261)	4780 (329)	5040 (347)
650 (343)	3700 (254)	—	3750 (258)	4700 (323)	4905 (337)
700 (371)	3600 (248)	—	3710 (255)	4640 (319)	4730 (325)
750 (398)	3520 (242)	—	3665 (252)	4430 (305)	4430 (305)
800 (426)	3460 (238)	—	3600 (248)	4230 (291)	4230 (291)
850 (454)	3380 (232)	—	—	4060 (279)	4060 (279)
900 (482)	3280 (225)	—	—	3745 (258)	3745 (258)
950 (510)	3220 (221)	—	—	2725 (187)	3220 (221)
1000 (537)	3030 (208)	—	—	1800 (124)	3030 (208)
1050 (565)	3000 (206)	—	—	1155 (79.5)	3000 (206)
1100 (593)	2685 (184)	—	—	770 (53.0)	2685 (184)
1150 (621)	2285 (157)	—	—	565 (38.9)	2285 (157)
1200 (648)	1715 (118)	—	—	515 (35.4)	1545 (106)

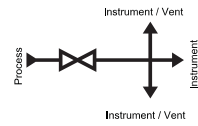
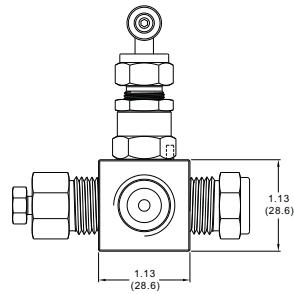
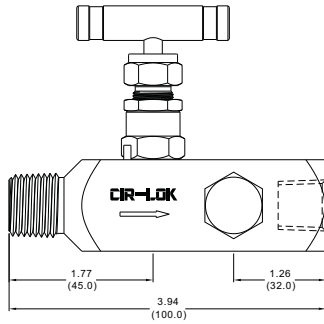
GV2 Series

Material Name	316 S.S.	Alloy 400	Alloy 20	Alloy 600	Alloy C-276
Temperature, °F (°C)	Working Pressure, psig (bar)				
-65 (-53) to 100 (37)	10000 (689)	10000 (689)	10000 (689)	10000 (689)	10000 (689)
200 (93)	9290 (640)	7920 (546)	10000 (689)	10000 (689)	10000 (689)
250 (121)	8840 (609)	7667 (528)	9711 (669)	9711 (669)	9711 (669)
300 (148)	8390 (578)	7415 (511)	9408 (648)	9408 (648)	9408 (648)
350 (176)	8045 (554)	7290 (502)	9323 (642)	9323 (642)	9323 (642)
400 (204)	7705 (530)	7165 (494)	9239 (637)	9239 (637)	9239 (637)
450 (232)	7435 (512)	7147 (492)	9144 (630)	9144 (630)	9144 (630)
500 (260)	7165 (493)	7130 (491)	9060 (624)	9060 (624)	9060 (624)
600 (315)	6770 (466)	7130 (491)	9070 (625)	9070 (625)	9070 (625)
650 (343)	6660 (458)	—	8825 (608)	8825 (608)	8825 (608)
700 (371)	6480 (446)	—	8515 (587)	8515 (587)	8515 (587)
750 (398)	6335 (436)	—	7970 (549)	7970 (549)	7970 (549)
800 (426)	6230 (429)	—	7610 (524)	7610 (524)	7610 (524)
850 (454)	6085 (419)	—	—	7305 (503)	7305 (503)
900 (482)	5905 (406)	—	—	6740 (464)	6740 (464)
950 (510)	5795 (399)	—	—	4905 (338)	5795 (399)
1000 (537)	5450 (375)	—	—	3240 (223)	5450 (375)
1050 (565)	5400 (372)	—	—	2085 (143)	4835 (333)
1100 (593)	4835 (333)	—	—	1390 (95)	4115 (283)
1150 (621)	4115 (283)	—	—	1020 (70)	2775 (191)
1200 (648)	3085 (212)	—	—	925 (63)	1620 (111)

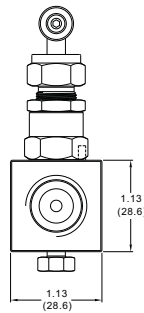
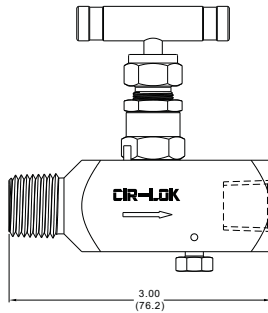
Dimensions

GV1 Series

Multi-port

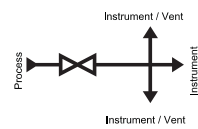
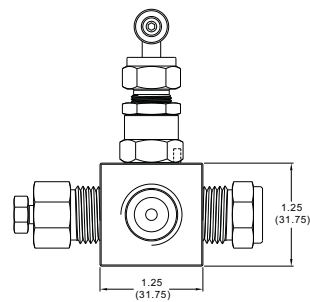
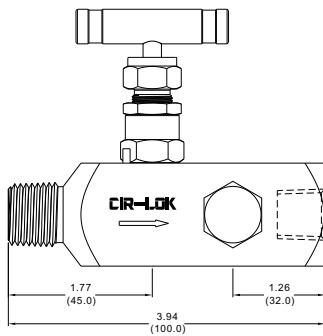


Single-port

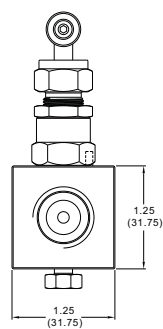
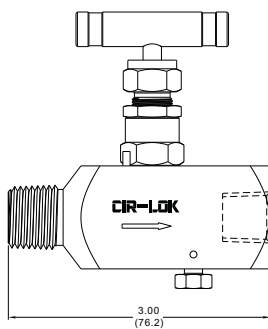


GV2 Series

Multi-port



Single-port



How to Order

GV2 — NPT8 — FNPT8 — SR — 316

Series	Inlet Type	Inlet Size	Outlet Type	Outlet Size	Body Type	Handle	Body Material
GV1	FNPT Female NPT	8 1/2	Same as inlet type and inlet size		M Multi-port	Black Aluminum	316 316 S.S.
GV2	NPT Male NPT	12 3/4 in.			S Single-port	R Red Aluminum	316L 316L S.S.
	FBT Female BSPT	20 M20 x 1.5	If outlet and inlet are the same, eliminate the outlet designator			S 304 Stainless Steel	304 304 S.S.
	MBT Male BSPT				304L 304L S.S.		
	FMS Female Metric Thread (for BP)				A20 Alloy 20		
	MS Male Metric Thread (for BG)				A400 Alloy 400		
	FBP Female BSPP (for BP)				A600 Alloy 600		
	MBP Male BSPP (for BP)				A825 Alloy 825		
			A276 Alloy C276				
			DU7 Duplex 2507				