

Proportional Relief Valves

RV3 Series



- ❖ Set pressure from 50 to 1500 psig (3.4 to 103 bar)
- ❖ Liquid or gas service
- ❖ Spring adjusts to provide desired set pressure
- ❖ Variety of end connections
- ❖ Variety of body and seal materials

Features

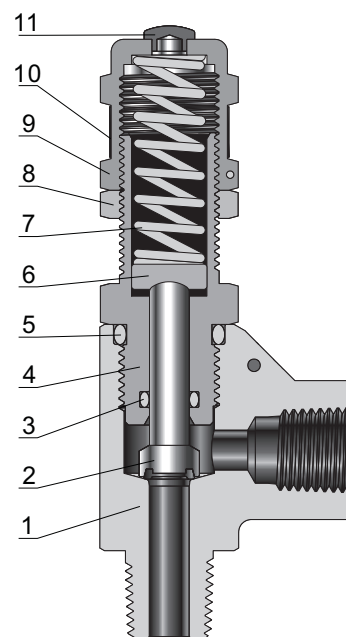
- ❖ Liquid or gas service
- ❖ Set pressure from 50 to 1500 psig (3.4 to 103 bar)
- ❖ Maximum outlet pressure up to 2500 psig (172 bar)
- ❖ Spring adjusts to provide desired set pressure

Seal Materials

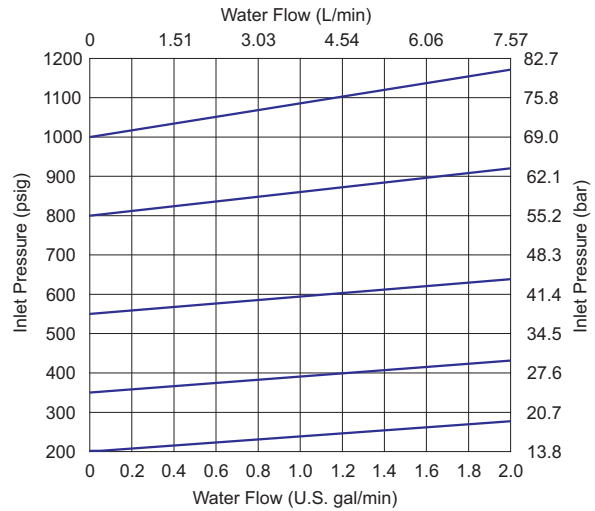
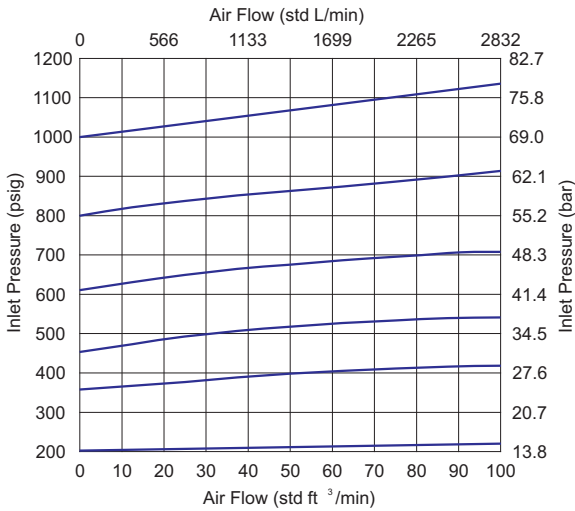
| Seal Material | Temperature Range °F (°C) |
|--------------------|------------------------------|
| Fluorocarbon FKM | -25 to 250 (-4 to 121) |
| Buna N | 0 to 250 (-17 to 121) |
| Neoprene | -10 to 300 (-23 to 148) |
| Ethylene Propylene | 30 to 250 (-1 to 121) |

Standard Materials of Construction

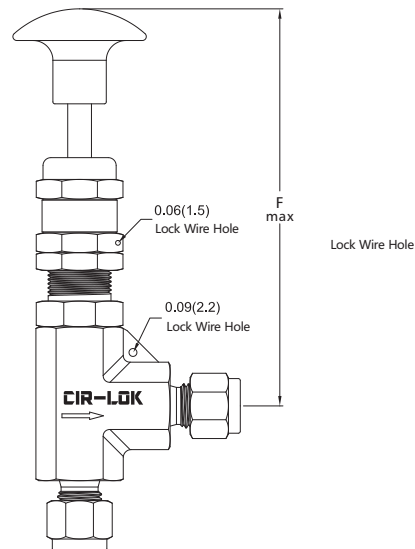
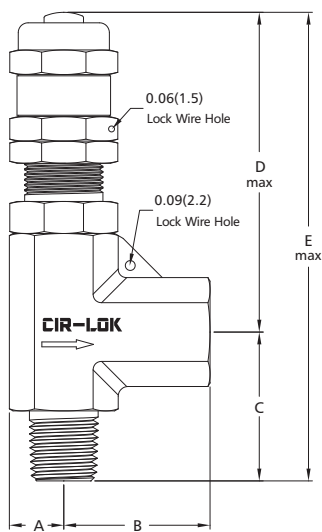
| Component | Material Grade/ASTM Specification |
|------------------|---------------------------------------|
| 1 Body | 316 S.S./A182 |
| 2 Stem | Fluorocarbon FKM-bonded 316 S.S./A479 |
| 3 O-ring | Fluorocarbon FKM |
| 4 Bonnet | 316 S.S./A479 |
| 5 O-ring | Fluorocarbon FKM |
| 6 Spring Support | 316 S.S./A276 |
| 7 Spring | S17700 S.S./AMS 5678 |
| 8 Lock Nut | 316 S.S./A276 |
| 9 Cap | 316 S.S./A479 |
| 10 Label | Polyester |
| 11 Plug | 316 S.S./A276 |



Flow Data at 70°F (20°C)



Dimensions



| Basic Ordering Number | Connection Type and Size | Orifice in. (mm) | Dimension, in. (mm) | | | | | |
|-----------------------|--------------------------|------------------|---------------------|----------------|----------------|---------------|---------------|---------------|
| | | | A | B | C | D | E | F |
| RV3-F8-06- | 1/2" CIR-LOK | 0.25 (6.4) | 0.5 (12.7) | 1.43 (36.3) | 1.83 (46.5) | 4.09 (104) | 5.92 (150) | 5.37 (136) |
| RV3-M12-06- | 12 mm CIR-LOK | | | 1.43 (36.3) | 1.44 (36.6) | | 5.52 (140) | |
| RV3-NPT8-06- | 1/2 Male NPT | | | | | | | |
| RV3-MBT8-06- | 1/2 Male BSPT | | | | | | | |
| RV3-FNPT8-06- | 1/2 Female NPT | | | | | | | |
| RV3-FBT8-06- | 1/2 Female BSPT | | | | | | | |

How to Order

RV3— FNPT8 — M8 — 06V — GM — 316

| Series | Inlet Type | Inlet Size | Outlet Type | Outlet Size | Orifice | Seal Material | Spring KitColor | Manual Override Handle | Body Material | | | | | |
|--------|----------------------------------|-------------------------------|---|-----------------|-----------------------------|---------------------------|----------------------------|------------------------|---------------------|------------------------------|---------------------------------|-----------------------|---------------------|-----------------------|
| RV3 | FNPT Female NPT | 8 1/2in. or 8mm | Same as inlet type and inlet size | | 06 0.25 in. (6.4 mm) | V Fluorocarbon FKM | G Green 50~350 psig | None | 316 316 S.S. | | | | | |
| | NPT Male NPT | 10 10 mm | | | | | | | | | | | | |
| | FBT Female BSPT | 12 3/4 in. or 12mm | If outlet and inlet are the same, eliminate the outlet designator | B Buna N | | | | | | O Orange 350~750 psig | M Manual Override Handle | 316L 316L S.S. | | |
| | MBT Male BSPT | | | | | | | | | | | | | |
| | FMS Female ISO 261 | | | | | | | | | | | | | |
| | MS Male ISO 261 | Y Yellow 750~1500 psig | N Neoprene | | | | | | | | | | 304 304 S.S. | |
| | FBP Female BSPP | | | | | | | | | | | | | |
| | MBP Male BSPP | | | | | | | | | | | | | |
| | F Fractional Tube Fitting | M Metric Tube Fitting | | | | | | | | | | | | 304L 304L S.S. |
| | M Metric Tube Fitting | | | | | | | | | | | | | |