



Syphons

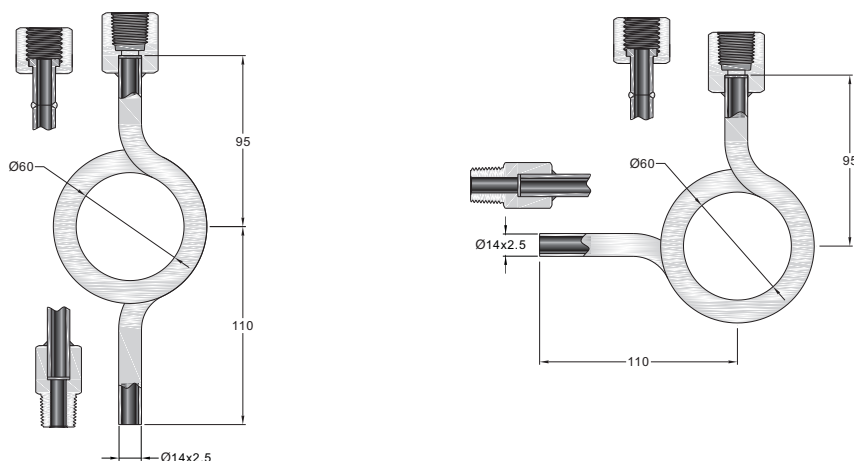
SY1, SY2 Series

- ❖ Maximum working pressure up to 6000 psig (413 bar)
- ❖ Working temperature from -20°F to 900°F (-28°C to 482°C)
- ❖ Variety of end connections
- ❖ 316 S.S. , 316L S.S. , 304 S.S. and 304L S.S. material

Features

- ❖ Maximum working pressure up to 6000 psig (413 bar)
- ❖ Working temperature from -20°F to 900°F (-28°C to 482°C)
- ❖ Variety of end connections
- ❖ 316 S.S. , 316L S.S. , 304 S.S. and 304L S.S. material

Dimensions



End Types and Size		Basic Ordering Number	
End 1	End 2	SY1 Series	SY2 Series
1/2 Female NPT	1/2 Female NPT	FNPT8-SY1-FNPT8-	FNPT8-SY2-FNPT8-
1/2 Female NPT	1/4 Female NPT	FNPT8-SY1-FNPT4-	FNPT8-SY2-FNPT4-
1/2 Female NPT	1/2 Female BSPP	FNPT8-SY1-FBP8-	FNPT8-SY2-FBP8-
1/2 Female NPT	1/4 Female ISO BSPP	FNPT8-SY1-FBP4-	FNPT8-SY2-FBP4-
1/2 Female NPT	M20 x 1.5 Female ISO	FNPT8-SY1-FMS20-	FNPT8-SY2-FMS20-
1/2 Female NPT	M14 x 1.5 Female ISO	FNPT8-SY1-FMS14-	FNPT8-SY2-FMS14-
1/2 Female NPT	1/2 Tube Socket Weld	FNPT8-SY1-FSW8-	FNPT8-SY2-FSW8-
1/2 Female NPT	14 mm Tube Socket Weld	FNPT8-SY1-MSW14-	FNPT8-SY2-MSW14-
M20 x 1.5 Female ISO	M20 x 1.5 Female ISO	FMS20-SY1-FMS20-	FMS20-SY2-FMS20-
M20 x 1.5 Female ISO	M14 x 1.5 Female ISO	FMS20-SY1-FMS14-	FMS20-SY2-FMS14-
M20 x 1.5 Female ISO	14 x 2.5	FMS20-SY1-MBW14-	FMS20-SY2-MBW14-
1/2 Female ISO BSPT	M20 x 1.5 Female ISO	FBP8-SY1-FMS20-	FBP8-SY2-FMS20-
1/2 Female ISO BSPP	M14 x 1.5 Female ISO	FBP8-SY1-FMS14-	FBP8-SY2-FMS14-
1/2 Female ISO BSPP	14 x 2.5	FBP8-SY1-MBW14-	FBP8-SY2-MBW14-
14 x 2.5	14 x 2.5	MBW14-SY1-MBW14-	MBW14-SY2-MBW14-
1/2 Male NPT	1/2 Male NPT	NPT8-SY1-NPT8-	NPT8-SY2-NPT8-
1/2 Male NPT	1/4 Female NPT	NPT8-SY1-FNPT4-	NPT8-SY2-FNPT4-
1/2 Male ISO BSPP	1/4 Male ISO BSPP	MBP8-SY1-MBP4-	MBP8-SY2-MBP4-
1/2 Male ISO BSPP	1/4 Female ISO BSPP	MBP8-SY1-FBP4-	MBP8-SY2-FBP4-
M20 x 1.5 Male ISO	M20 x 1.5 Female ISO	MS20-SY1-FMS20-	MS20-SY2-FMS20-
M20 x 1.5 Male ISO	M14 x 1.5 Female ISO	MS20-SY1-FMS14-	MS20-SY2-FMS14-
M14 x 1.5 Male ISO	M20 x 1.5 Female ISO	MS14-SY1-FMS20-	MS14-SY2-FMS20-
M14 x 1.5 Male ISO	M14 x 1.5 Female ISO	MS14-SY1-FMS14-	MS14-SY2-FMS14-

How to Order

FNPT8 — SY1 — FMS20 — 316L

Inlet Type		Inlet Size	Series	Outlet Type	Outlet Size	Body Material
FNPT	Female NPT	4 1/4in.	SY1	Same as inlet type and inlet size		316 316 S.S.
NPT	Male NPT	8 1/2in.	SY2			316L 316L S.S.
FBT	Female BSPT	14 14 mm or M14 x 1.5				304 304 S.S.
MBT	Male BSPT	20 M20 x 1.5				304L 304L S.S.
FMS	Female ISO					
MS	Male ISO					
FBP	Female BSPP					
MBP	Male BSPP					
FSW	Fractional Tube Socket Weld					
MSW	Metric Tube Socket Weld					
FBW	Fractional Tube Butt Weld					
MBW	Metric Tube Butt Weld					