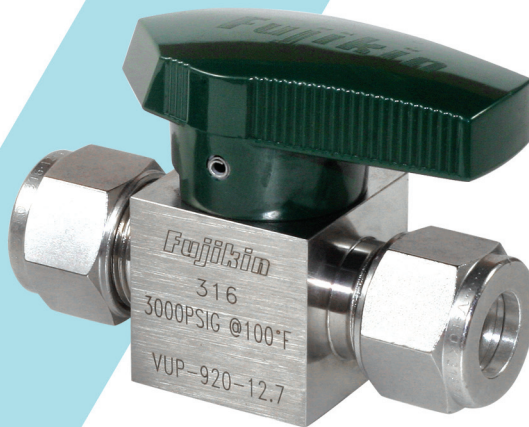
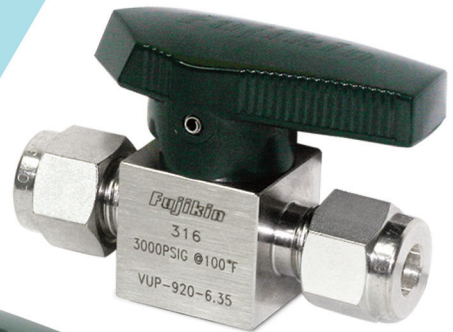




Plug Valves

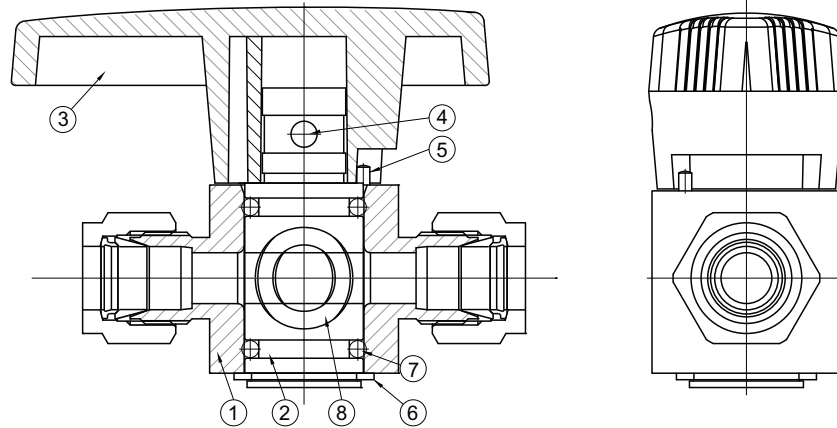
VUP SERIES



Features

Features

- FUJIKEN plug valves offer low-torque, quart turn operation in a simple, compact design that provides positive shutoff of forward flow with up to 3000 psig (206 bar) pressure.



Technical Data

No.	Name of Parts	Material
1	BODY	ASTM A479 316
2	PLUG	PTFE-Coated ASTM A479 316
3	HANDLE	POLYETHERIMIDE
4	ROLL SPRING PIN	ASTM A276 316
5	STOP PIN	ASTM A276 316
6	C-RING	ASTM A276 304
7	OUTSIDE O-RING	PTFE-Coated FKM
8	INSIDE O-RING	
Lubricants		Silicone-based

Pressure-Temperature Ratings

Series	VUP
Temperature, °F (°C)	Working Pressure, psig (bar)
-10 (-23) to 100 (37)	3000 (206)
150 (65)	3000 (206)
250 (121)	2000 (137)
300 (148)	1000 (68.9)
350 (176)	1000 (68.9)
400 (204)	1000 (68.9)

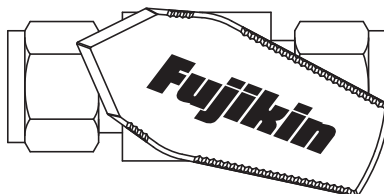
Differential pressure is limited to 150 psig (10.3 bar) maximum if reverse flow occurs. Reverse-flow throttling may damage O-ring.

Operation

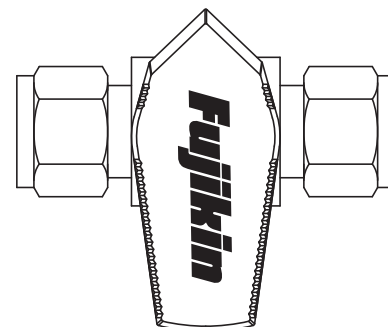
Open



Forward-Flow Throttling

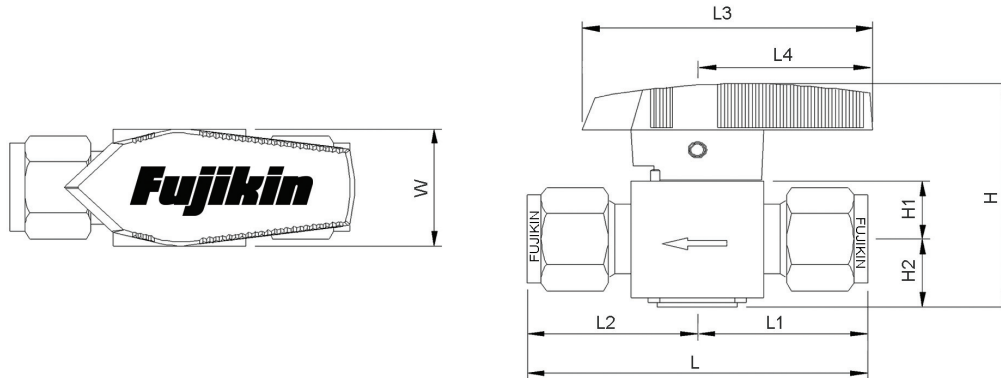


Closed



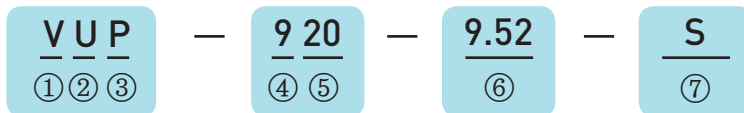
End Connections		Series	Pressure Drop to Atmosphere, psi (bar)					
			1 (0.068)	5 (0.34)	10 (0.68)	1 (0.068)	5 (0.34)	10 (0.68)
Inlet/Outlet Size			Air Flow, std ft ³ /min (std L/min)			Water Flow, U.S. gal/min (L/min)		
V-Lok	1/4 in.	std	6.0 (160)	13 (360)	18 (500)	1.6 (6.0)	3.6 (13)	5.1 (19)
	3/8 in.	small						
	1/2 in.	std	23 (650)	52 (1470)	72 (2030)	6.4 (24)	14 (52)	20 (75)

Dimensions



Size	Working Pressure psiga(bar)	Orifice in.(mm)	Dimensions,in(mm)								Ordering Number	
			L	L1	L2	H	H1	H2	L3	L4		W
1/4in.	3000(206)	0.172 (4.4)	2.17 (55.1)	1.08 (27.4)		1.54 (39.1)	0.37 (9.4)	0.46 (11.7)	1.88 (48)	1.14 (29)	0.75 (19.1)	VUP-920-6.35
3/8in.			2.29 (58.2)	1.15 (29.1)								VUP-920-9.52-S
		1/2in.	0.283 (7.2)	2.66 (67.6)	1.33 (33.8)		2.14 (54.4)	0.56 (14.2)	0.66 (16.8)	2.47 (62.7)	1.5 (38.1)	1.12 (28.4)
2.88 (73.2)				1.44 (36.6)		VUP-920-12.7						

Ordering Information



- ① Valve Series
- ② Body Material
ASTM A479 316
- ③ Valve Type
Plug Valve
- ④ Connection Type
V- Lok Type
- ⑤ Working Pressure
3000psig(206bar)
- ⑥ Connection Size
1/4 in.
3/8 in.
1/2 in.
- ⑦ Body Size
BLANK:STD
S :Small Size



Beyond the Flow of Things



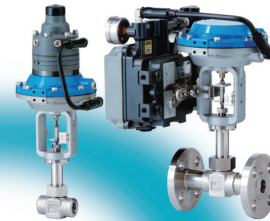
Fujikin provides you with a total solution for your flow control needs.



Weirless Diaphragm Valves



Electronic Control Valves



Minucon



Integrated Gas System



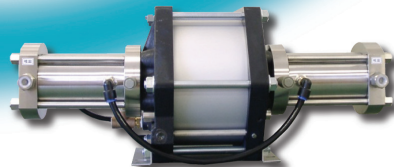
Fine Ceramic Ball Valves
COSMIX



Flow Control System



Static Mixer



Provider
Power Unit



Welding,
processing Machine



Fujikin.Carp.Group  **V-Series**
always leads the flow control technology

Fujikin®



Fujikin® Carp® Group

URL <http://www.fujikin.co.jp/> E-mail info@fujikin.co.jp



The Year 2005
The 1st Monozukuri (manufacturing)
Nippon Grand Awards
: Excellence Prize