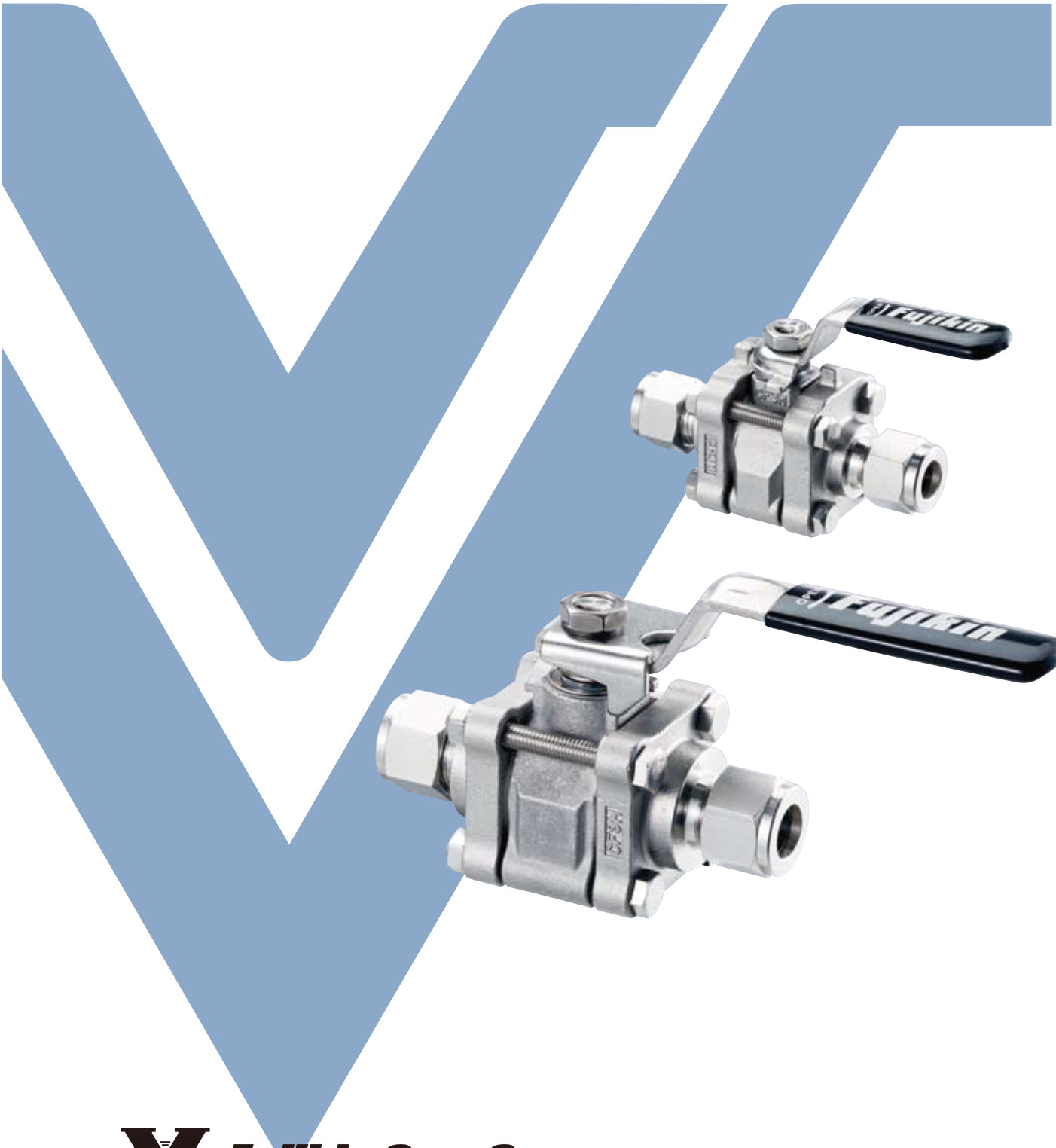




# 3 Pieces Ball Valves

2200 psig (151 bar) VUBV Series



**Fujikin Carp Group**

# Beyond the Flow of Things



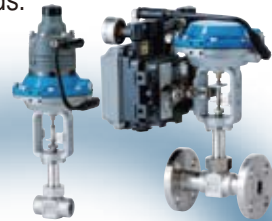
**Fujikin** provides you with a total solution for your flow control needs.



Weirless Diaphragm Valves  
Weir Diaphragm Valves



Electronic Control Valves



MINUCON®



Fine Ceramic Ball Valves  
COSMIX™



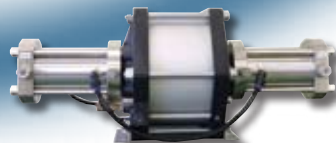
Integrated Gas System (IGS®)



Flow Control System  
FCS® Thermal Series



Static Mixer



PROVIDER® POWER UNIT



Welding,  
processing Machine

## Features

1. Large flowrate with 3 pieces body.
2. ON-OFF by operation of quarter turn.
3. End Connections:  $\nabla$  - Lok Type, Rc, NPT Female

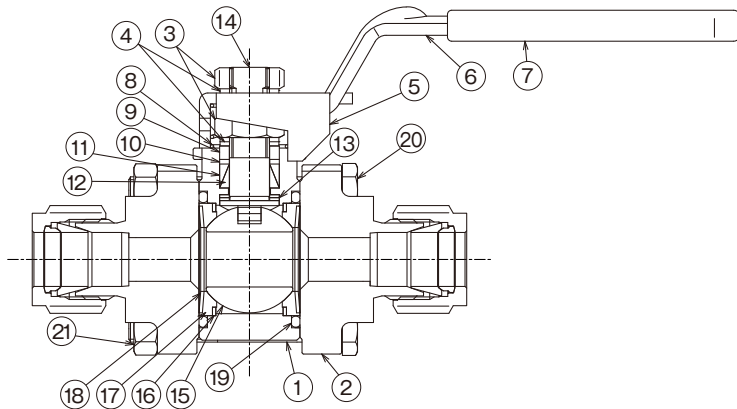


## Technical Data

### Temperature and Pressure Rating

Temperature °F (°C)	Working Pressure [psig (bar)]
- 20 (- 28) ~ 100 (37)	2200 (151)
104 (40)	2170 (149)
122 (50)	2040 (140)
212 (100)	1420 (97.5)
302 (150)	790 (54.4)
392 (200)	370 (25.2)
400 (204)	330 (22.7)
450 (232)	100 (6.8)

## Materials of Construction

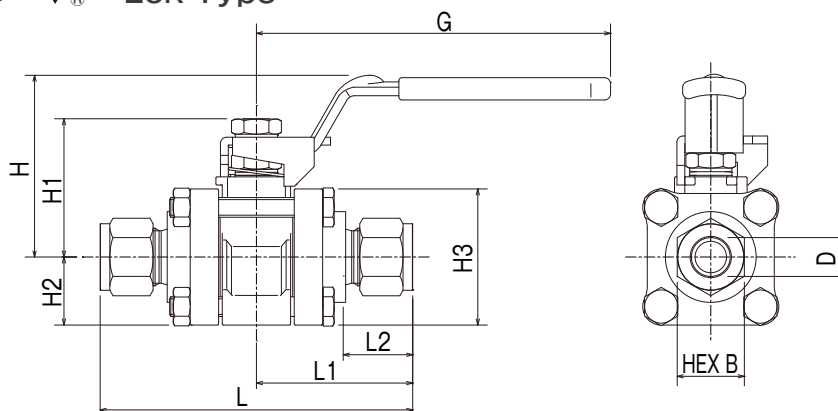


No.	Description	Materials	No.	Description	Materials
1	BODY ※	ASTM A351 CF3M	12	BOTTOM PACKING ※	C - PTFE
2	FLANGE ※	ASTM A351 CF3M	13	STEM BEARING ※	SUS316
3	STEM NUT	ASTM A276 316	14	STEM ※	ASTM A240 316
4	STEM SPRING	SUS304 - CSP	15	BALL ※	ASTM A240 316 or ASTM A351 CF8M
5	STOP PLATE	ASTM A240 304			
6	HANDLE	ASTM A240 304	16	SUPPORT RING ※	ASTM A240 316
7	HANDLE SLEEVE	VINYL	17	SEAT ※	C - PTFE
8	EARTH SPRING	ASTM A313 302	18	SEAT SPRING ※	SUS304 - CSP
9	GLAND	ASTM B783 316	19	O-RING ※	FKM
10	PACKING SUPPORT	PEEK	20	BOLT	SUS316
11	TOP PACKING ※	C - PTFE	21	BOLT NUT	SUS316

※ : Wetted Parts

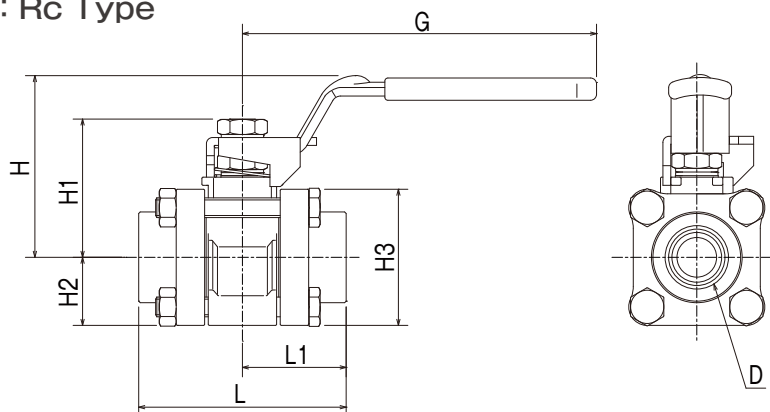
## Dimensions

End Connection :  $\nabla$ ® - Lok Type



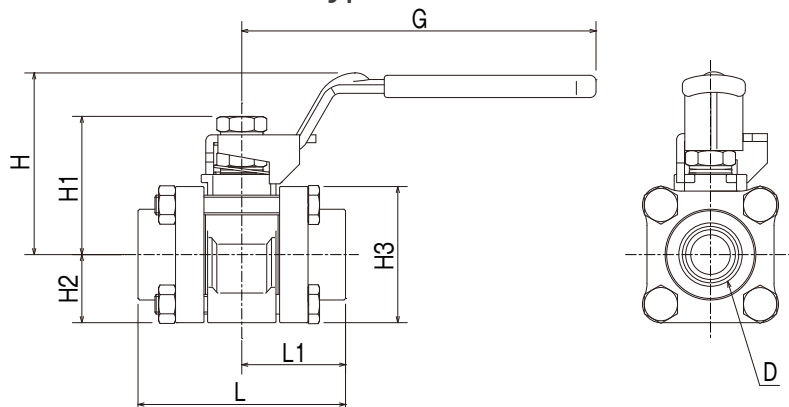
Size D	Orifice in. (mm)	Dimensions in.(mm)									Ordering Numbers
		L	L1	L2	B	H	H1	H2	H3	G	
1/4 in.	0.189 (4.8)	3.17 (80.5)	1.59 (40.4)	0.6 (15.2)	9/16 in.	1.66 (42.2)	1.26 (32)	0.68 (17.3)	1.35 (34.3)	2.37 (60.2)	VUBV - 915 - 6.35
3/8 in.	0.28 (7.1)	3.17 (80.5)	1.59 (40.4)	0.66 (16.8)	11/16 in.	1.66 (42.2)	1.26 (32)	0.68 (17.3)	1.35 (34.3)	2.37 (60.2)	VUBV - 915 - 9.52
1/2 in.	0.406 (10.3)	4.06 (103)	2.02 (51.3)	0.9 (22.9)	7/8 in.	2.35 (59.7)	1.79 (45.5)	0.89 (22.6)	1.78 (45.2)	4.49 (114)	VUBV - 915 - 12.7
3/4 in.	0.516 (13.1)	4.06 (103)	2.02 (51.3)	0.96 (24.4)	1 - 1/8 in.	2.35 (59.7)	1.79 (45.5)	0.89 (22.6)	1.78 (45.2)	4.49 (114)	VUBV - 915 - 19.05
1 in.	0.874 (22.2)	5.35 (136)	2.68 (68.1)	1.23 (31.2)	1 - 1/2 in.	2.94 (74.7)	2.52 (64)	1.25 (31.8)	2.5 (63.5)	5.98 (152)	VUBV - 915 - 25.4
6mm	0.189 (4.8)	3.17 (80.5)	1.59 (40.4)	0.6 (15.3)	0.55 (14)	1.66 (42.2)	1.26 (32)	0.68 (17.3)	1.35 (34.3)	2.37 (60.2)	VUBV - 915 - 6
8mm	0.252 (6.4)	3.17 (80.5)	1.59 (40.4)	0.64 (16.2)	0.63 (16)	1.66 (42.2)	1.26 (32)	0.68 (17.3)	1.35 (34.3)	2.37 (60.2)	VUBV - 915 - 8
10mm	0.28 (7.1)	3.2 (81.3)	1.6 (40.6)	0.68 (17.2)	0.75 (19)	1.66 (42.2)	1.26 (32)	0.68 (17.3)	1.35 (34.3)	2.37 (60.2)	VUBV - 915 - 10
12mm	0.374 (9.5)	4.06 (103)	2.02 (51.3)	0.9 (22.8)	0.87 (22)	2.35 (59.7)	1.79 (45.5)	0.89 (22.6)	1.78 (45.2)	4.49 (114)	VUBV - 915 - 12

End Connection : Rc Type



Size	Orifice in. (mm)	End Connections D	Dimensions, in.(mm)							Ordering Numbers
			L	L1	H	H1	H2	H3	G	
1/4 in.	0.28 (7.1)	Rc 1/4	2.16 (54.9)	1.08 (27.4)	1.66 (42.2)	1.26 (32)	0.68 (17.3)	1.35 (34.3)	2.37 (60.2)	VUBV - 115B
1/2 in.	0.516 (13.1)	Rc 1/2	2.7 (68.6)	1.35 (34.3)	2.35 (59.7)	1.79 (45.5)	0.89 (22.6)	1.78 (45.2)	4.49 (114)	VUBV - 115D
3/4 in.	0.874 (22.2)	Rc 3/4	3.59 (91.2)	1.8 (45.7)	2.94 (74.7)	2.52 (64)	1.25 (31.8)	2.5 (63.5)	5.98 (152)	VUBV - 115E
1 in.	0.874 (22.2)	Rc 1	4.45 (113)	2.23 (56.6)	2.94 (74.7)	2.52 (64)	1.25 (31.8)	2.5 (63.5)	5.98 (152)	VUBV - 115F

## End Connection : NPT Female Type

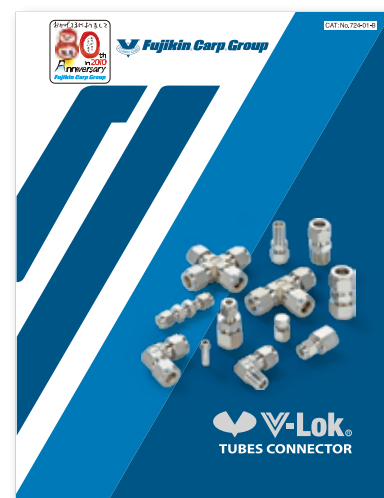


Size	Orifice in. (mm)	End Connections D	Dimensions in.(mm)							Ordering Numbers
			L	L1	H	H1	H2	H3	G	
1/4 in.	0.28 (7.1)	1/4 NPT	2.16 (54.9)	1.08 (27.4)	1.66 (42.2)	1.26 (32)	0.68 (17.3)	1.35 (34.3)	2.37 (60.2)	VUBV - 115BN
3/8 in.	0.516 (13.1)	3/8 NPT	2.7 (68.6)	1.35 (34.3)	2.35 (59.7)	1.79 (45.5)	0.89 (22.6)	1.78 (45.2)	4.49 (114)	VUBV - 115CN
1/2 in.	0.516 (13.1)	1/2 NPT	2.7 (68.6)	1.35 (34.3)	2.35 (59.7)	1.79 (45.5)	0.89 (22.6)	1.78 (45.2)	4.49 (114)	VUBV - 115DN
3/4 in.	0.874 (22.2)	3/4 NPT	3.59 (91.2)	1.8 (45.7)	2.94 (74.7)	2.52 (64)	1.25 (31.8)	2.5 (63.5)	5.98 (152)	VUBV - 115EN
1 in.	0.874 (22.2)	1 NPT	3.59 (91.2)	1.8 (45.7)	2.94 (74.7)	2.52 (64)	1.25 (31.8)	2.5 (63.5)	5.98 (152)	VUBV - 115FN

## Ordering Information

VUBV — 9 15 — 6.35  
 ① ② ③      ④ ⑤      ⑥

- ① Valve Series
- ② Body Material  
ASTM A351 CF3M
- ③ Valve Type  
Ball Valves
- ④ Connection Type  
1 : Screwed Type  
9 :  $\Psi$ ® - Lok Type
- ⑤ Pressure Rating  
2200 psig  
(151 bar)
- ⑥ Connection Size  
6.35 :  $\Psi$ ® - Lok 6.35  
9.52 :  $\Psi$ ® - Lok 9.52  
12.7 :  $\Psi$ ® - Lok 12.7  
19.05 :  $\Psi$ ® - Lok 19.05  
25.4 :  $\Psi$ ® - Lok 25.4  
6 :  $\Psi$ ® - Lok 6  
8 :  $\Psi$ ® - Lok 8  
10 :  $\Psi$ ® - Lok 10  
12 :  $\Psi$ ® - Lok 12  
B : Rc 1/4  
D : Rc 1/2  
E : Rc 3/4  
F : Rc 1  
BN : 1/4 NPT  
CN : 3/8 NPT  
DN : 1/2 NPT  
EN : 3/4 NPT  
FN : 1 NPT



**Fujikin**<sup>®</sup>



---

**Fujikin<sup>®</sup> Carp<sup>®</sup> Group**



The Year 2005  
The 1st Monozukuri (manufacturing)  
Nippon Grand Awards  
: Excellence Prize

URL <http://www.fujikin.co.jp/> E-mail [info@fujikin.co.jp](mailto:info@fujikin.co.jp)