

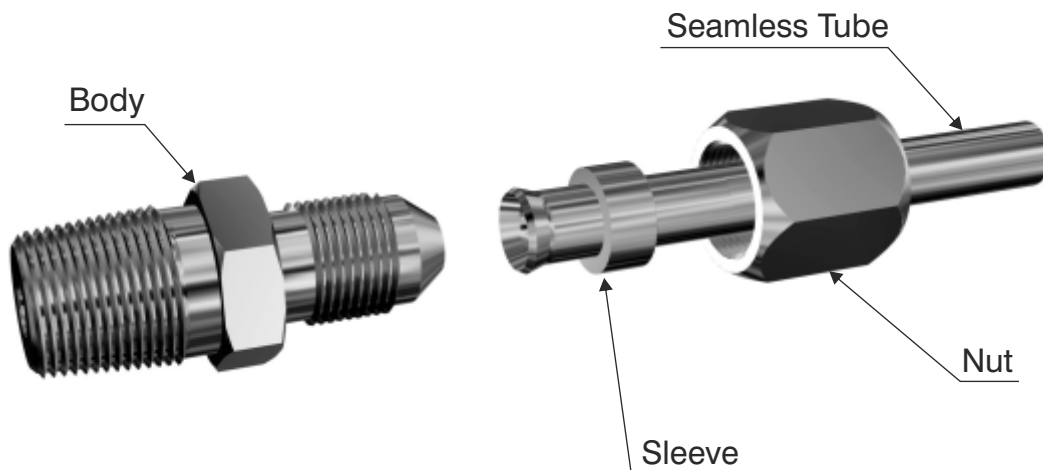
JIC 37 Flare Fittings



HAVI® JIC 37 degree Flare Fittings consists of three precisely machined components for a 100% Reliable LEAK PROOF joint. These fittings are available for fractional Tubes with the choice of Pipe threads, i.e NPT, BSP / BSPT, SAE/MS. These are used with low and Medium thickness Tubing with excellent Vibration resistance.

HAVI® JIC Fittings are designed as per SAE J514 Standard and are a type of flare Fittings machined with a 37 degree flare seating surface. JIC (Joint Industry Council) Fittings are widely used in fuel delivery and fluid power applications, especially where extreme high pressure is involved. The seal is achieved through metal-to-metal contact between the finished surface of the Fitting Nose and the Inside Diameter of the flared tubing. The Sleeve is used to evenly distribute the compressive forces of the flare nut to the flared end of tube.

Function



On tightening the of the Nut, the Sleeve ensures that the Tube is properly aligned with the axis of the Fitting Assembly. This reduces the Mechanical strain coming on the Tubes and also helps in increases the resistance to vibrations.

Even after several Assembly and Disassembly, the joint is guaranteed.

The Fittings are manufactured from Bar Stock for the Straight Fittings, Nuts and Sleeve and from Forgings for Elbows and Tees.

Features

Designed as per SAE J 514 Standard.

Conical Flare Design can be used with Seamless Tubes or adapt to JIC Hose Assemblies.

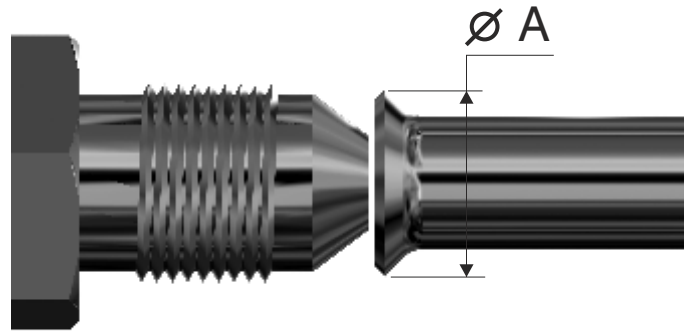
Available in SS316/L, Carbon Steel, other Exotic Alloys also.

Provides a Metal to Metal Contact.

Excellent Vibration Resistance.

Available in sizes upto 2" in various onfiguration.

JIC Flare Inspection



Flaring is one of the very important factor that determines proper Installation, hence due care has to be taken while flaring the Tube.

The best adopted method for Flaring is by means of Power, since it is faster and produces accurate and consistent. Often Manual Flaring is done where Power flaring is not readily available.

It is important to note that the flare collar has to be Square and concentric to the Tube. Also make sure that the internal surface finish of the Cone formed after flaring operation has to be clean. The Tube has to be cut in Right Angle with the axis of the Tube.

Avoid use of Tube Cutter for Cutting the Tube as it may cause formation of burrs and Angular cutting.

Refer the table below to determine the Flare diameter obtained after flaring operation.

Tube Size	Flare Diameter "A"
1/4"	0.340" to 0.360"
5/16"	0.400" to 0.430"
3/8"	0.460" to 0.490"
1/2"	0.630" to 0.660"
5/8"	0.760" to 0.790"
3/4"	0.920" to 0.950"
1"	1.170" to 1.200"
1.1/4"	1.480" to 1.510"
1.1/2"	1.700" to 1.730"

Pressure Rating

Tube Size	Thread Size	Assembly Torque (Nm)	Working Pressure as per SAE J 514
1/4"	7/16" - 20	13 to 15	5000 psi
5/16"	1/2" - 20	18 to 25	5000 psi
3/8"	9/16" - 18	24 to 31	5000 psi
1/2"	3/4" - 16	45 to 52	4500 psi
5/8"	7/8" - 14	65 to 72	3500 psi
3/4"	1-1/16" - 12	92 to 100	3000 psi
7/8"	1-3/16" - 12	118 to 130	3000 psi
1"	1-5/16" - 12	127 to 145	3000 psi
1.1/4"	1-5/8" - 12	175 to 190	2500 psi
1.1/2"	1-7/8" - 12	215 to 240	2000 psi

Ordering Information

8J-MC-8N

-

AL

-

S6

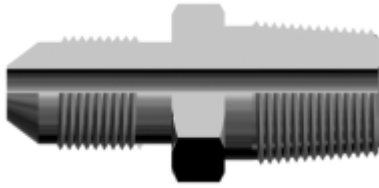
Material of Construction

Basic Part Number

with Nut and Sleeve
Skip in the Code if
only Body is required

Material	Bar Stock	Forgings	Designator
SS 316/316L	ASTM A 276 ASME SA 479	ASTM A182 ASME SA182	S6 / S6L
Brass	ASTM B 16 ASTM B 453	ASTM B 283	B
Carbon Steel	ASTM A 108	--	C
Alluminum	ASTM B 211	ASTM B 247	AL
Alloy 400 / R-405	ASTM B 164 ASME SB 164	ASTM B 564 ASME SB 564	M
Alloy 600	ASTM B 166 ASME SB 166	ASTM B564 ASME SB564	A6
Alloy 20	ASTM B 473	ASTM B 462	A20
Alloy C276	ASTM B 574	ASTM B 564	H
Titanium	ASTM B 348	ASTM B 381	TI
PTFE	ASTM D 1710	--	T
Nylon	ASTM D 4066	--	N

Male Connector



Imperial X NPTM

SAE (070102)
Page no. 8-9

Male Elbow



Imperial X NPTM

SAE (070202)
Page no. 15-16

Male Connector



Imperial X SAE Thread

SAE (070120)
Page no. 10-11

45 Deg Male Elbow



Imperial X NPTM

SAE (070302)
Page no. 17-18

Union



JIC x JIC

SAE (070101)
Page no. 12

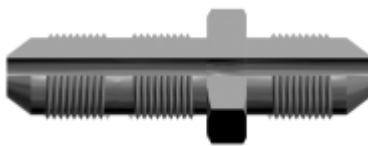
Female Elbow



JIC x NPTF

SAE (070203)
Page no. 19-20

Bulk Head Union



JIC x JIC

SAE (070601)
Page no. 13

Union Elbow



Imperial X NPTM

SAE (070201)
Page no. 21

Female Connector



Imperial X NPTF

SAE (070103)
Page no. 14

Union Tee



JIC x JIC x JIC

SAE (070401)
Page no. 22

Union Cross



JIC x JIC x JIC x JIC

SAE (070501)
Page no. 23

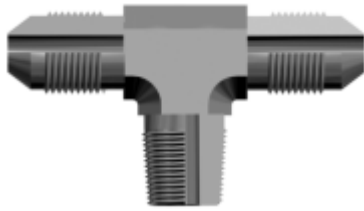
Swivel Elbow



JIC x Swivel Joint

SAE (070221)
Page no. 32

Male Branch Tee



JIC x NPT x JIC

SAE (070425)
Page no. 24-25

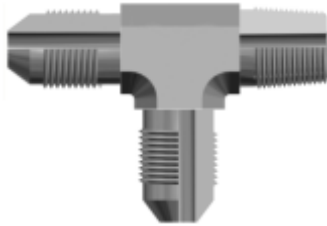
45 Deg Swivel Elbow



JIC x Swivel Joint

SAE (070321)
Page no. 33

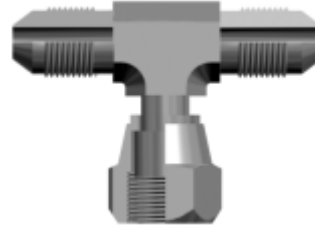
Male Run Tee



JIC x JIC x NPT

SAE (070424)
Page no. 26-27

Swivel Branch Tee



JIC x Swivel Joint x JIC

SAE (070433)
Page no. 34

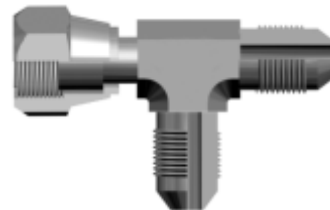
Female Branch Tee



JIC x NPTF x JIC

SAE (070427)
Page no. 28-29

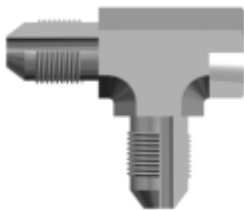
Swivel Run Tee



JIC x JIC x Swivel Joint

SAE (070432)
Page no. 35

Female Run Tee



JIC x JIC x NPTF

SAE (070426)
Page no. 30-31

SAEON Male Elbow



JIC x SAE Thread

SAE (070220)
Page no. 36

SAEON 45 Deg Male Elbow



JIC x SAE thread

SAE (070320)

Page no. 37

Swivel Elbow Connector



SAE (140230)

Page no. 42

NPTF (M) x Swivel NPS Thread

SAEON Male Branch Tee



JIC x SAE thread x JIC

SAE (070429)

Page no. 38

Swivel Elbow Connector



SAE (140331)

Page no. 43

NPTF x Swivel NPS Thread

SAEON Male Run Tee

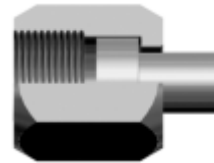


JIC x JIC x SAE thread

SAE (070428)

Page no. 39

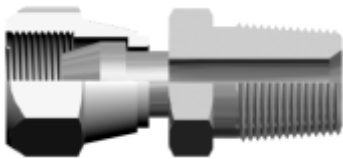
Tube Cap



JIC

Page no. 44

Swivel Connector

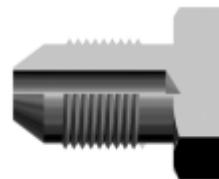


NPTF (M) x Swivel NPS Thread

SAE (140130)

Page no. 40

Tube Plug

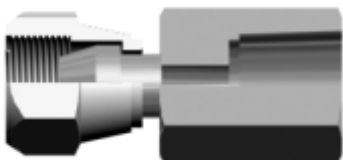


JIC

SAE (070109)

Page no. 45

Swivel Connector



NPTF x Swivel NPS Thread

SAE (140131)

Page no. 41

Hex Male Plug



JIC

SAE (090109A)

Page no. 46

Socket Male Plug

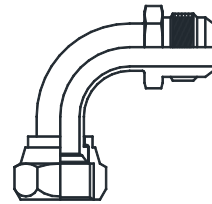


JIC

SAE (090109B)

Page no. 47

Tube Swivel Elbow



JIC x Swivel JIC

Page no. 51

Hex Nipple



NPT x NPT

SAE (140137)

Page no. 48

Hex Pipe Coupling



NPTF x NPTF

SAE (140138)

Page no. 48

JIC Nut



JIC

SAE (070110)

Page no. 49

Sleeve



SAE (070115)

Page no. 50

Color Coding

DIMENSIONS

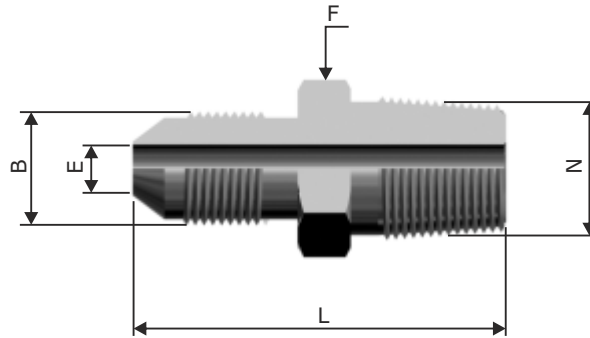
Imperial Tubing

DIMENSIONS

Metric Tubing

Male Connector

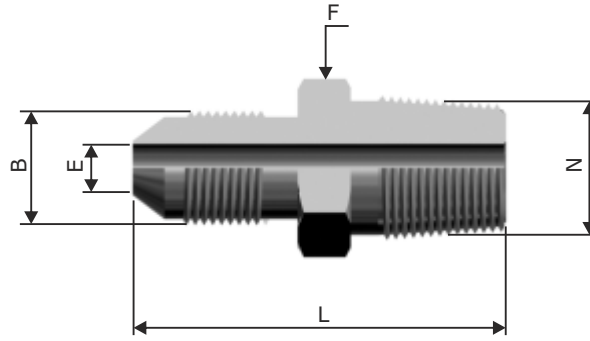
JIC x NPT (Male)
For Imperial Tubing
SAE (070102)



Part No	DIMENSIONS					
	T	N	B	E	F	L
	Tube OD	NPT male pipe Thread	UNF	I.D	Hex Size	Body Length
inch	inch	inch	inch	inch	inch	inch
2J-MC-2N	1/8	1/8	5/16x24	0.06	7/16	1.11
3J-MC-2N	3/16	1/8	3/8x24	0.13	7/16	1.14
4J-MC-2N	1/4	1/8	7/16x20	0.17	1/2	1.22
4J-MC-4N	1/4	1/4	7/16x20	0.17	9/16	1.42
4J-MC-6N	1/4	3/8	7/16x20	0.17	11/16	1.44
4J-MC-8N	1/4	1/2	7/16x20	0.17	7/8	1.68
5J-MC-2N	5/16	1/8	1/2x20	0.19	9/16	1.22
5J-MC-4N	5/16	1/4	1/2x20	0.23	9/16	1.42
6J-MC-2N	3/8	1/8	9/16x18	0.19	5/8	1.25
6J-MC-4N	3/8	1/4	9/16x18	0.28	5/8	1.43
6J-MC-6N	3/8	3/8	9/16x18	0.30	11/16	1.43
6J-MC-8N	3/8	1/2	9/16x18	0.30	7/8	1.69
8J-MC-4N	1/2	1/4	3/4x16	0.28	13/16	1.53
8J-MC-6N	1/2	3/8	3/4x16	0.38	13/16	1.53
8J-MC-8N	1/2	1/2	3/4x16	0.39	7/8	1.79
8J-MC-12N	1/2	3/4	3/4x16	0.39	1-1/16	1.85
10J-MC-6N	5/8	3/8	7/8x14	0.38	15/16	1.70
10J-MC-8N	5/8	1/2	7/8x14	0.48	15/16	1.89
10J-MC-12N	5/8	3/4	7/8x14	0.48	1-1/8	1.95
12J-MC-8N	3/4	1/2	1-1/16x12	0.61	1-1/16	2.06
12J-MC-12N	3/4	3/4	1-1/16x12	0.61	1-1/8	2.06
12J-MC-16N	3/4	1.00	1-1/16x12	0.61	1-3/8	2.25
14J-MC-12N	7/8	3/4	1-3/16x12	0.72	1-1/4	2.09
16J-MC-12N	1.00	3/4	1-5/16x12	0.72	1-3/8	2.11
16J-MC-16N	1.00	1.00	1-5/16x12	0.84	1-3/8	2.30

Male Connector

JIC x NPT (Male)
For Metric Tubing
SAE (070102)



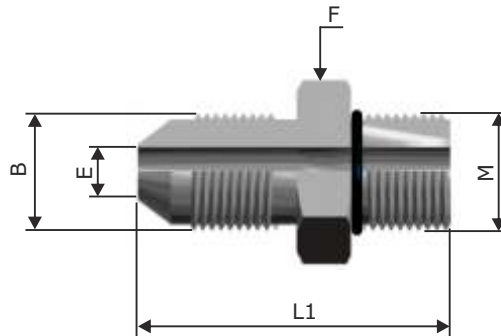
Part No	DIMENSIONS					
	T	N	B	E	F	L
	Tube OD	NPT male pipe Thread	UNF	I.D	Hex Size	Body Length
mm	mm	inch		mm	inch	mm
6MJ-MC-2N	6.00	1/8	7/16x20	4.40	1/2	31.00
6MJ-MC-4N	6.00	1/4	7/16x20	4.40	9/16	36.00
6MJ-MC-6N	6.00	3/8	7/16x20	4.40	11/16	36.50
6MJ-MC-8N	6.00	1/2	7/16x20	4.40	7/8	42.70
8MJ-MC-2N	8.00	1/8	1/2x20	4.80	9/16	31.00
8MJ-MC-4N	8.00	1/4	1/2x20	6.00	9/16	36.00
10MJ-MC-2N	10.00	1/8	9/16x18	4.80	5/8	31.80
10MJ-MC-4N	10.00	1/4	9/16x18	7.10	5/8	36.30
10MJ-MC-6N	10.00	3/8	9/16x18	7.50	11/16	36.30
10MJ-MC-8N	10.00	1/2	9/16x18	7.50	7/8	42.90
12MJ-MC-4N	12.00	1/4	3/4x16	7.10	13/16	38.90
12MJ-MC-6N	12.00	3/8	3/4x16	9.50	13/16	38.90
12MJ-MC-8N	12.00	1/2	3/4x16	9.90	7/8	45.40
12MJ-MC-12N	12.00	3/4	3/4x16	9.90	1-1/16	47.00
16MJ-MC-6N	16.00	3/8	7/8x14	9.50	15/16	43.10
16MJ-MC-8N	16.00	1/2	7/8x14	12.30	15/16	48.00
16MJ-MC-12N	16.00	3/4	7/8x14	12.30	1-1/8	49.50
18MJ-MC-8N	18.00	1/2	1-1/16x12	15.50	1-1/16	52.30
18MJ-MC-12N	18.00	3/4	1-1/16x12	15.50	1-1/8	52.30
18MJ-MC-16N	18.00	1.00	1-1/16x12	15.50	1-3/8	57.10
20MJ-MC-12N	20.00	3/4	1-3/16x12	18.30	1-1/4	53.10
25MJ-MC-12N	25.00	3/4	1-5/16x12	18.30	1-3/8	53.50
25MJ-MC-16N	25.00	1.00	1-5/16x12	21.50	1-3/8	58.40

Male Connector

JIC x SAE Thread (Male)

For Imperial Tubing

SAE (070120)



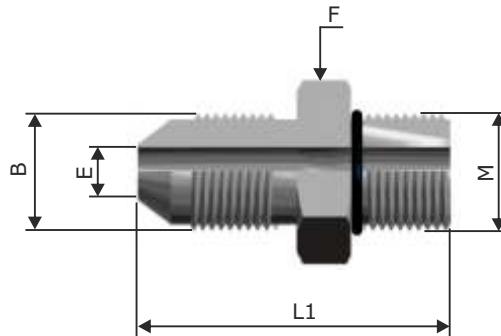
Part No	DIMENSIONS					
	T	M	B	E	F	L1
	Tube OD inch	SAE/MS Straight Thread UNF	JIC Thread UNF	I.D inch	Hex Size inch	Body Length inch
2J-MC-5SAEO	1/8	5/16x24	5/16x24	0.062	7/16	1.06
3J-MC-6SAEO	3/16	3/8x24	3/8x24	0.125	1/2	1.10
4J-MC-7SAEO	1/4	7/16x20	7/16x20	0.172	9/16	1.23
4J-MC-8SAEO	1/4	1/2x20	7/16x20	0.172	5/8	1.23
4J-MC-9SAEO	1/4	9/16x18	7/16x20	0.172	11/16	1.30
4J-MC-12SAEO	1/4	3/4x16	7/16x20	0.172	7/8	1.37
5J-MC-8SAEO	5/16	1/2x20	1/2x20	0.234	5/8	1.23
6J-MC-9SAEO	3/8	9/16x18	9/16x18	0.280	11/16	1.30
6J-MC-12SAEO	3/8	3/4x16	9/16x18	0.297	7/8	1.38
6J-MC-14SAEO	3/8	7/8x14	9/16x18	0.297	1	1.50
8J-MC-12SAEO	1/2	3/4x16	3/4x16	0.391	7/8	1.48
8J-MC-9SAEO	1/2	9/16x18	3/4x16	0.280	13/16	1.44
8J-MC-14SAEO	1/2	7/8x14	3/4x16	0.391	1	1.60
8J-MC-17SAEO	1/2	1-1/16x12	3/4x16	0.391	1-1/4	1.76
10J-MC-14SAEO	5/8	7/8x14	7/8x14	0.484	1	1.70
10J-MC-12SAEO	5/8	3/4x16	7/8x14	0.484	15/16	1.60
10J-MC-17SAEO	5/8	1-1/16x12	7/8x14	0.484	1-1/4	1.86
12J-MC-17SAEO	3/4	1-1/16x12	1-1/16x12	0.609	1-1/4	1.97
12J-MC-12SAEO	3/4	3/4x16	1-1/16x12	0.420	1-1/8	1.78
12J-MC-14SAEO	3/4	7/8x14	1-1/16x12	0.500	1-1/8	1.83
12J-MC-21SAEO	3/4	1-5/16x12	1-1/16x12	0.609	1-1/2	2.00
14J-MC-19SAEO	7/8	1-3/16x12	1-3/16x12	0.719	1-3/8	1.99
14J-MC-21SAEO	7/8	1-5/16x12	1-3/16x12	0.719	1-1/2	2.02
16J-MC-21SAEO	1	1-5/16x12	1-5/16x12	0.844	1-1/2	2.04
16J-MC-17SAEO	1	1-1/16x12	1-5/16x12	0.650	1-3/8	2.01
16J-MC-19SAEO	1	1-3/16x12	1-5/16x12	0.719	1-3/8	2.04

Male Connector

JIC x SAE Thread (Male)

For Metric Tubing

SAE (070120)



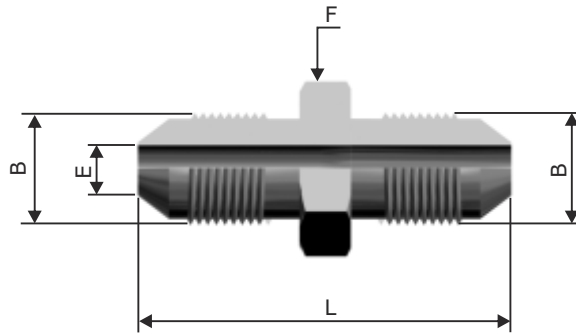
Part No	DIMENSIONS					
	T Tube OD mm	M SAE/MS Straight Thread	B JIC Thread UNF	E I.D mm	F Hex Size inch	L1 Body Length mm
6MJ-MC-7SAEO	6	7/16x20	7/16x20	4.4	9/16	31.2
6MJ-MC-8SAEO	6	1/2x20	7/16x20	4.4	5/8	31.2
6MJ-MC-9SAEO	6	9/16x18	7/16x20	4.4	11/16	33
6MJ-MC-12SAEO	6	3/4x16	7/16x20	4.4	7/8	34.8
8MJ-MC-8SAEO	8	1/2x20	1/2x20	6	5/8	31.2
10MJ-MC-9SAEO	10	9/16x18	9/16x18	7.5	11/16	33
10MJ-MC-12SAEO	10	3/4x16	9/16x18	7.5	7/8	35.1
10MJ-MC-14SAEO	10	7/8x14	9/16x18	7.5	1	38.1
12MJ-MC-12SAEO	12	3/4x16	3/4x16	9.9	7/8	37.6
12MJ-MC-9SAEO	12	9/16x18	3/4x16	9.9	13/16	36.6
12MJ-MC-14SAEO	12	7/8x14	3/4x16	9.9	1	40.6
12MJ-MC-17SAEO	12	1-1/16x12	3/4x16	9.9	1-1/4	44.7
16MJ-MC-14SAEO	16	7/8x14	7/8x14	12.3	1	43.2
16MJ-MC-12SAEO	16	3/4x16	7/8x14	12.3	15/16	40.6
16MJ-MC-17SAEO	16	1-1/16x12	7/8x14	12.3	1-1/4	47.2
18MJ-MC-17SAEO	18	1-1/16x12	1-1/16x12	15.5	1-1/4	50
18MJ-MC-12SAEO	18	3/4x16	1-1/16x12	10.7	1-1/8	45.2
18MJ-MC-14SAEO	18	7/8x14	1-1/16x12	12.7	1-1/8	46.4
18MJ-MC-21SAEO	18	1-5/16x12	1-1/16x12	15.5	1-1/2	50.8
20MJ-MC-19SAEO	20	1-3/16x12	1-3/16x12	18.3	1-3/8	50.5
20MJ-MC-21SAEO	20	1-5/16x12	1-3/16x12	18.3	1-1/2	51.3
25MJ-MC-21SAEO	25	1-5/16x12	1-5/16x12	21.5	1-1/2	51.8
25MJ-MC-17SAEO	25	1-1/16x12	1-5/16x12	16.6	1-3/8	51.1
25MJ-MC-19SAEO	25	1-3/16x12	1-5/16x12	18.3	1-3/8	51.8

Union

JIC x JIC

For Imperial Tubing

SAE (070101)



Part No	DIMENSIONS				
	T	B	E	F	L
	Tube OD	UNF	I.D	Hex Size	Body Length
inch	inch		inch	inch	inch
8J-U	1/8	5/16x24	0.062	7/16	1.17
3J-U	3/16	3/8x24	0.125	7/16	1.23
4J-U	1/4	7/16x20	0.172	1/2	1.37
5J-U	5/16	1/2x20	0.234	9/16	1.37
6J-U	3/8	9/16x18	0.297	5/8	1.41
8J-U	1/2	3/4x16	0.391	13/16	1.62
10J-U	5/8	7/8x14	0.484	15/16	1.88
12J-U	3/4	1-1/16x12	0.609	1-1/8	2.16
14J-U	7/8	1-3/16x12	0.719	1-1/4	2.21
16J-U	1	1-5/16x12	0.844	1-3/8	2.25

Union

JIC x JIC

For Metric Tubing

SAE (070101)

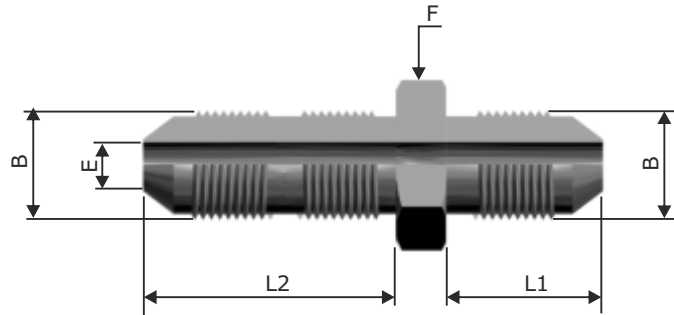
Part No	DIMENSIONS				
	T	B	E	F	L
	Tube OD	UNF	I.D	Hex Size	Body Length
mm	mm		mm	inch	mm
6M-U	6	7/16x20	4.4	1/2	34.8
8J-U	8	1/2x20	6	9/16	34.8
10J-U	10	9/16x18	7.5	5/8	35.8
12J-U	12	3/4x16	9.9	13/16	41.1
16J-U	16	7/8x14	12.3	15/16	47.8
18J-U	18	1-1/16x12	15.5	1-1/8	54.9
20J-U	20	1-3/16x12	18.3	1-1/4	56.1
25J-U	25	1-5/16x12	21.5	1-3/8	57.2

Bulk Head Union

JIC x JIC

For Imperial Tubing

SAE (070601)



Part No	DIMENSIONS					
	T	B	E	F	L1	L2
	Tube OD	UNF	I.D	Hex Size		
inch	inch	inch	inch	inch	inch	inch
3J-BHU	3/16	3/8x24	0.125	5/8	1.9	1.11
4J-BHU	1/4	7/16x20	0.172	11/16	2.07	1.2
5J-BHU	5/16	1/2x20	0.234	3/4	2.07	1.2
6J-BHU	3/8	9/16x18	0.297	13/16	2.18	1.28
8J-BHU	1/2	3/4x16	0.391	1	2.44	1.44
10J-BHU	5/8	7/8x14	0.484	1-1/8	2.74	1.58
12J-BHU	3/4	1-1/16x12	0.609	1-3/8	3.09	1.75
14J-BHU	7/8	1-3/16x12	0.719	1-1/2	3.12	1.75
16J-BHU	1	1-5/16x12	0.844	1-5/8	3.14	1.75

Bulk Head Union

JIC x JIC

For Metric Tubing

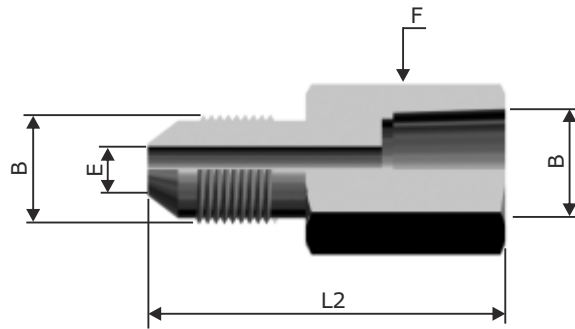
SAE (070601)

Part No	DIMENSIONS					
	T	B	E	F	L1	L2
	Tube OD	UNF	I.D	Hex Size		
mm	mm	mm	mm	inch	mm	mm
6MJ-BHU	6	7/16x20	4.4	11/16	52.6	30.5
8MJ-BHU	8	1/2x20	6	3/4	52.6	30.5
10MJ-BHU	10	9/16x18	7.5	13/16	55.4	32.5
12MJ-BHU	12	3/4x16	9.9	1	62	36.6
16MJ-BHU	16	7/8x14	12.3	1-1/8	69.6	40.1
18MJ-BHU	18	1-1/16x12	15.5	1-3/8	78.5	44.4
20MJ-BHU	20	1-3/16x12	18.3	1-1/2	79.2	44.4
25MJ-BHU	25	1-5/16x12	21.5	1-5/8	79.8	44.4

Female Connector

Female Connector

JIC x NPT (Female)
For Imperial Tubing
SAE (070103)



Part No	DIMENSIONS					
	T	N	B	E	F	L
	Tube OD	NPT female pipe Thread	UNF	I.D	Hex Size	Body Length
inch	inch	inch	inch	inch	inch	inch
2J-FC-2N	1/8	1/8	5/16x24	0.062	9/16	1.12
3J-FC-2N	3/16	1/8	3/8x24	0.125	9/16	1.13
4J-FC-2N	1/4	1/8	7/16x20	0.172	9/16	1.19
4J-FC-4N	1/4	1/4	7/16x20	0.172	3/4	1.39
5J-FC-2N	5/16	1/8	1/2x20	0.234	9/16	1.17
5J-FC-4N	5/16	1/4	1/2x20	0.234	3/4	1.39
6J-FC-4N	3/8	1/4	9/16x18	0.297	3/4	1.40
6J-FC-6N	3/8	3/8	9/16x18	0.297	7/8	1.46
8J-FC-6N	1/2	3/8	3/4x16	0.391	7/8	1.56
8J-FC-8N	1/2	1/2	3/4x16	0.391	1-1/16	1.79
10J-FC-8N	5/8	1/2	7/8x14	0.484	1-1/16	1.89
12J-FC-8N	3/4	1/2	1-1/16x12	0.609	1-1/16	2.05
12J-FC-12N	3/4	3/4	1-1/16x12	0.609	1-3/8	2.06
14J-FC-12N	7/8	3/4	1-3/16x12	0.719	1-3/8	2.06
16J-FC-16N	1	1	1-5/16x12	0.844	1-5/8	2.35

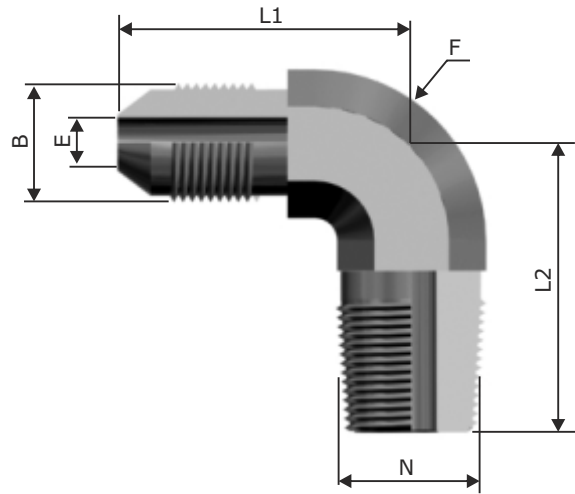
Female Connector

JIC x NPT (Female)
For Metric Tubing
SAE (070103)

Part No	DIMENSIONS					
	T	N	B	E	F	L
	Tube OD	NPT female pipe Thread	UNF	I.D	Hex Size	Body Length
mm	mm	inch	mm	mm	inch	mm
6MJ-FC-2N	6	1/8	7/16x20	4.4	9/16	30.2
6MJ-FC-4N	6	1/4	7/16x20	4.4	3/4	35.3
8MJ-FC-2N	8	1/8	1/2x20	6	9/16	29.7
8MJ-FC-4N	8	1/4	1/2x20	6	3/4	35.3
10MJ-FC-4N	10	1/4	9/16x18	7.5	3/4	35.6
10MJ-FC-6N	10	3/8	9/16x18	7.5	7/8	37.1
12MJ-FC-6N	12	3/8	3/4x16	9.9	7/8	39.6
12MJ-FC-8N	12	1/2	3/4x16	9.9	1-1/16	45.6
16MJ-FC-8N	16	1/2	7/8x14	12.3	1-1/16	48
18MJ-FC-8N	18	1/2	1-1/16x12	15.5	1-1/16	52.1
18MJ-FC-12N	18	3/4	1-1/16x12	15.5	1-3/8	52.3
20MJ-FC-12N	20	3/4	1-3/16x12	18.3	1-3/8	52.3
25MJ-FC-16N	25	1	1-5/16x12	21.5	1-5/8	59.7

Male Elbow

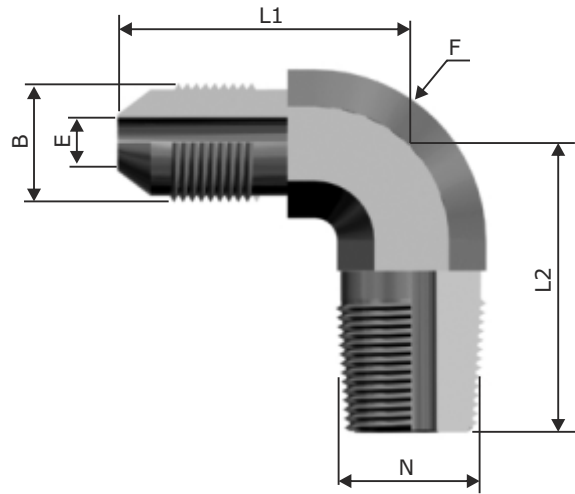
JIC x NPT (Male)
For Imperial Tubing
SAE (070202)



Part No	DIMENSIONS						
	T	N	B	E	F	L1	L2
	Tube OD inch	NPT male pipe Thread inch	JIC Thread UNF	I.D inch	Wrench Pad inch	inch	inch
2J-ME-2N	1/8	1/8	5/16x24	0.062	7/16	0.77	0.72
3J-ME-2N	3/16	1/8	3/8x24	0.125	7/16	0.83	0.72
4J-ME-2N	1/4	1/8	7/16x20	0.172	1/2	0.89	0.78
4J-ME-4N	1/4	1/4	7/16x20	0.172	9/16	1.06	1.09
5J-ME-2N	5/16	1/8	1/2x20	0.19	9/16	0.95	0.78
5J-ME-4N	5/16	1/4	1/2x20	0.234	9/16	1.06	1.09
6J-ME-2N	3/8	1/8	9/16x18	0.19	5/8	1.06	0.9
6J-ME-4N	3/8	1/4	9/16x18	0.28	5/8	1.06	1.09
6J-ME-6N	3/8	3/8	9/16x18	0.297	11/16	1.14	1.22
6J-ME-8N	3/8	1/2	9/16x18	0.297	7/8	1.23	1.47
8J-ME-4N	1/2	1/4	3/4x16	0.28	13/16	1.25	1.22
8J-ME-6N	1/2	3/8	3/4x16	0.38	13/16	1.25	1.22
8J-ME-8N	1/2	1/2	3/4x16	0.391	7/8	1.33	1.47
8J-ME-12N	1/2	3/4	3/4x16	0.391	1-1/8	1.42	1.59
10J-ME-6N	5/8	3/8	7/8x14	0.38	15/16	1.45	1.28
10J-ME-8N	5/8	1/2	7/8x14	0.47	15/16	1.45	1.47
10J-ME-12N	5/8	3/4	7/8x14	0.484	1-1/8	1.53	1.59
12J-ME-8N	3/4	1/2	1-1/16x12	0.47	1-1/8	1.66	1.59
12J-ME-12N	3/4	3/4	1-1/16x12	0.609	1-1/8	1.66	1.59
14J-ME-12N	7/8	3/4	1-3/16x12	0.719	1-1/4	1.8	1.69
16J-ME-12N	1	3/4	1-5/16x12	0.719	1-3/8	1.81	1.78
16J-ME-16N	1	1	1-5/16x12	0.844	1-3/8	1.81	1.97

Male Elbow

JIC x NPT (Male)
For Metric Tubing
SAE (070202)



Part No	DIMENSIONS						
	T	N	B	E	F	L1	L2
	Tube OD mm	NPT male pipe Thread inch	JIC Thread UNF	I.D mm	Wrench Pad inch	mm	mm
6MJ-ME-2N	6	1/8	7/16x20	4.4	1/2	22.6	19.8
6MJ-ME-4N	6	1/4	7/16x20	4.4	9/16	26.9	27.7
8MJ-ME-2N	8	1/8	1/2x20	4.8	9/16	24.1	19.8
8MJ-ME-4N	8	1/4	1/2x20	6	9/16	26.9	27.7
10MJ-ME-2N	10	1/8	9/16x18	4.8	5/8	26.9	22.8
10MJ-ME-4N	10	1/4	9/16x18	7.1	5/8	26.9	27.7
10MJ-ME-6N	10	3/8	9/16x18	7.5	11/16	29	31
10MJ-ME-8N	10	1/2	9/16x18	7.5	7/8	31.2	37.3
12MJ-ME-4N	12	1/4	3/4x16	7.1	13/16	31.8	31
12MJ-ME-6N	12	3/8	3/4x16	9.5	13/16	31.8	31
12MJ-ME-8N	12	1/2	3/4x16	9.9	7/8	33.7	37.3
12MJ-ME-12N	12	3/4	3/4x16	9.9	1-1/8	36	40.4
16MJ-ME-6N	16	3/8	7/8x14	9.5	15/16	36.8	32.5
16MJ-ME-8N	16	1/2	7/8x14	11.9	15/16	36.8	37.3
16MJ-ME-12N	16	3/4	7/8x14	12.3	1-1/8	38.9	40.4
18MJ-ME-8N	18	1/2	1-1/16x12	11.9	1-1/8	41	40.4
18MJ-ME-12N	18	3/4	1-1/16x12	15.5	1-1/8	41	40.4
20MJ-ME-12N	20	3/4	1-3/16x12	18.3	1-1/4	45.7	42.9
25MJ-ME-12N	25	3/4	1-5/16x12	18.3	1-3/8	46	45.2
25MJ-ME-16N	25	1	1-5/16x12	21.5	1-3/8	46	50

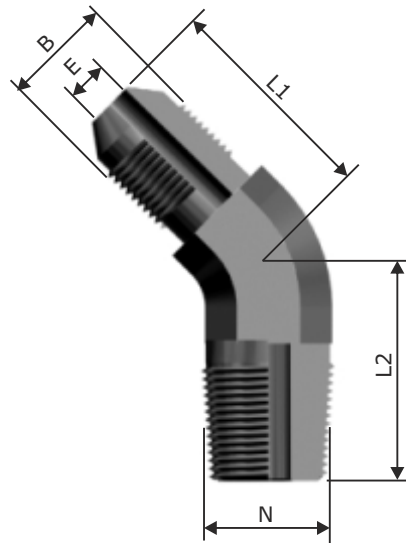
45 Degree Male Elbow

45 Deg. Male Elbow

JIC x NPT (Male)

For Imperial Tubing

SAE (070302)



Part No	DIMENSIONS						
	T	N	B	E	F	L1	L2
	Tube OD inch	NPT male pipe Thread inch	JIC Thread UNF	I.D inch	Wrench Pad inch	inch	inch
2J-45ME-2N	1/8	1/8	5/16x24	0.062	7/16	0.69	0.52
3J-45ME-2N	3/16	1/8	3/8x24	0.125	7/16	0.69	0.52
4J-45ME-2N	1/4	1/8	7/16x20	0.172	1/2	0.72	0.52
4J-45ME-4N	1/4	1/4	7/16x20	0.172	9/16	0.72	0.64
5J-45ME-2N	5/16	1/8	1/2x20	0.19	9/16	0.77	0.52
5J-45ME-4N	5/16	1/4	1/2x20	0.234	9/16	0.77	0.64
6J-45ME-2N	3/8	1/8	9/16x18	0.19	5/8	0.83	0.52
6J-45ME-4N	3/8	1/4	9/16x18	0.28	5/8	0.83	0.64
6J-45ME-6N	3/8	3/8	9/16x18	0.297	11/16	0.83	0.86
6J-45ME-8N	3/8	1/2	9/16x18	0.297	7/8	0.83	0.95
8J-45ME-4N	1/2	1/4	3/4x16	0.28	13/16	0.98	0.64
8J-45ME-6N	1/2	3/8	3/4x16	0.38	13/16	0.98	0.86
8J-45ME-8N	1/2	1/2	3/4x16	0.391	7/8	0.98	0.95
8J-45ME-12N	1/2	3/4	3/4x16	0.391	1-1/8	0.98	1.2
10J-45ME-6N	5/8	3/8	7/8x14	0.38	15/16	1.11	0.86
10J-45ME-8N	5/8	1/2	7/8x14	0.47	15/16	1.11	0.95
10J-45ME-12N	5/8	3/4	7/8x14	0.484	1-1/8	1.11	1.2
12J-45ME-8N	3/4	1/2	1-1/16x12	0.47	1-1/8	1.28	0.95
12J-45ME-12N	3/4	3/4	1-1/16x12	0.609	1-1/8	1.28	1.2
14J-45ME-12N	7/8	3/4	1-3/16x12	0.719	1-1/4	1.45	1.2
16J-45ME-12N	1	3/4	1-5/16x12	0.719	1-3/8	1.47	1.2
16J-45ME-16N	1	1	1-5/16x12	0.844	1-3/8	1.47	1.48

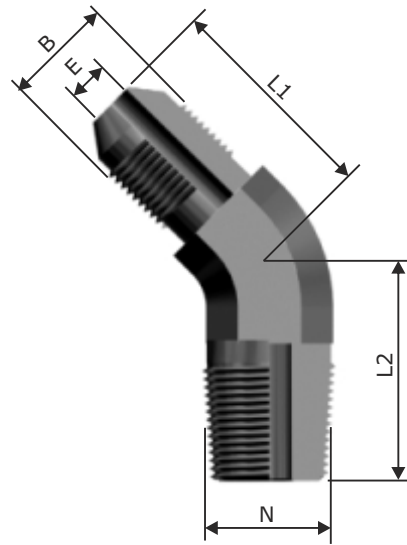
45 Degree Male Elbow

45 Deg. Male Elbow

JIC x NPT (Male)

For Metric Tubing

SAE (070302)



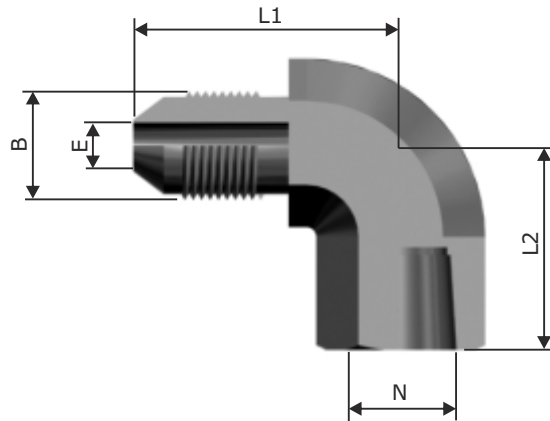
Part No	DIMENSIONS							
	T	N	B	E	F	L1	L2	
	Tube OD mm	NPT male pipe Thread inch	JIC Thread UNF	I.D mm	Wrench Pad inch	mm	mm	
6MJ-45ME-2N	6	1/8	7/16x20	4.4	1/2	18.3	13.2	
6MJ-45ME-4N	6	1/4	7/16x20	4.4	9/16	18.3	16.3	
8MJ-45ME-2N	8	1/8	1/2x20	4.8	9/16	19.6	13.2	
8MJ-45ME-4N	8	1/4	1/2x20	6	9/16	19.6	16.3	
10MJ-45ME-2N	10	1/8	9/16x18	4.8	5/8	21.1	13.2	
10MJ-45ME-4N	10	1/4	9/16x18	7.1	5/8	21.1	16.3	
10MJ-45ME-6N	10	3/8	9/16x18	7.5	11/16	21.1	21.8	
10MJ-45ME-8N	10	1/2	9/16x18	7.5	7/8	21.1	24.1	
12MJ-45ME-4N	12	1/4	3/4x16	7.1	13/16	24.9	16.3	
12MJ-45ME-6N	12	3/8	3/4x16	9.5	13/16	24.9	21.8	
12MJ-45ME-8N	12	1/2	3/4x16	9.9	7/8	24.9	24.1	
12MJ-45ME-12N	12	3/4	3/4x16	9.9	1-1/8	24.9	30.5	
16MJ-45ME-6N	16	3/8	7/8x14	9.5	15/16	28.2	21.8	
16MJ-45ME-8N	16	1/2	7/8x14	11.9	15/16	28.2	24.1	
16MJ-45ME-12N	16	3/4	7/8x14	12.3	1-1/8	28.2	30.5	
18MJ-45ME-8N	18	1/2	1-1/16x12	11.9	1-1/8	32.5	24.1	
18MJ-45ME-12N	18	3/4	1-1/16x12	15.5	1-1/8	32.5	30.5	
20MJ-45ME-12N	20	3/4	1-3/16x12	18.3	1-1/4	36.8	30.5	
25MJ-45ME-12N	25	3/4	1-5/16x12	18.3	1-3/8	37.3	30.5	
25MJ-45ME-16N	25	1	1-5/16x12	21.5	1-3/8	37.3	37.6	

Female Elbow

JIC x NPT (Female)

For Imperial Tubing

SAE (070203)



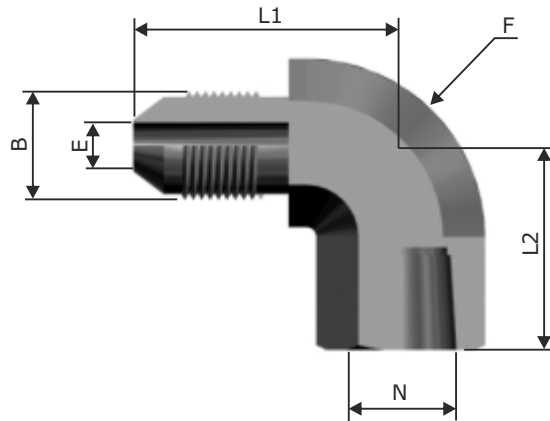
Part No	DIMENSIONS						
	T	N	B	E	F	L1	L2
	Tube OD inch	NPT female pipe Thread inch	JIC Thread UNF	I.D inch	Wrench Pad inch	inch	inch
2J-FE-2N	1/8	1/8	5/16x24	0.062	9/16	1.00	0.66
3J-FE-2N	3/16	1/8	3/8x24	0.125	9/16	1.03	0.66
4J-FE-2N	1/4	1/8	7/16x20	0.172	9/16	1.08	0.66
4J-FE-4N	1/4	1/4	7/16x20	0.172	3/4	1.22	0.88
5J-FE-2N	5/16	1/8	1/2x20	0.234	9/16	1.08	0.66
5J-FE-4N	5/16	1/4	1/2x20	0.234	3/4	1.13	0.88
6J-FE-2N	3/8	1/8	9/16x18	0.297	5/8	1.23	0.67
6J-FE-4N	3/8	1/4	9/16x18	0.297	3/4	1.23	0.88
6J-FE-6N	3/8	3/8	9/16x18	0.297	7/8	1.31	1.02
8J-FE-4N	1/2	1/4	3/4x16	0.391	13/16	1.42	1.02
8J-FE-6N	1/2	3/8	3/4x16	0.391	7/8	1.42	1.02
8J-FE-8N	1/2	1/2	3/4x16	0.391	1-1/16	1.52	1.23
10J-FE-8N	5/8	1/2	7/8x14	0.484	1-1/16	1.64	1.23
12J-FE-8N	3/4	1/2	1-1/16x12	0.609	1-1/8	1.89	1.35
12J-FE-12N	3/4	3/4	1-1/16x12	0.609	1-3/8	1.89	1.36
14J-FE-12N	7/8	3/4	1-3/16x12	0.719	1-3/8	1.86	1.42
16J-FE-16N	1	1	1-5/16x12	0.844	1-5/8	2.17	1.63

Female Elbow

JIC x NPT (Female)

For Metric Tubing

SAE (070203)



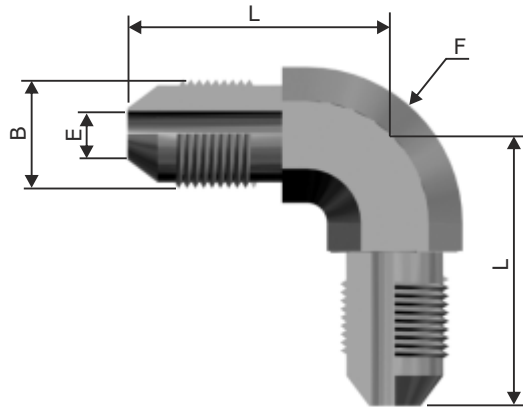
Part No	DIMENSIONS						
	T	N	B	E	F	L1	L2
	Tube OD mm	NPT female pipe Thread inch	JIC Thread UNF	I.D mm	Wrench Pad inch	mm	mm
6MJ-FE-2N	6	1/8	7/16x20	4.4	9/16	27.7	16.8
6MJ-FE-4N	6	1/4	7/16x20	4.4	3/4	30.9	22.4
8MJ-FE-2N	8	1/8	1/2x20	6	9/16	27.4	16.8
8MJ-FE-4N	8	1/4	1/2x20	6	3/4	28.7	22.4
10MJ-FE-2N	10	1/8	9/16x18	7.5	5/8	31.2	17
10MJ-FE-4N	10	1/4	9/16x18	7.5	3/4	31.2	22.4
10MJ-FE-6N	10	3/8	9/16x18	7.5	7/8	33.2	25.9
12MJ-FE-4N	12	1/4	3/4x16	9.9	13/16	36.1	25.9
12MJ-FE-6N	12	3/8	3/4x16	9.9	7/8	36.1	25.9
12MJ-FE-8N	12	1/2	3/4x16	9.9	1-1/16	38.6	31.2
16MJ-FE-8N	16	1/2	7/8x14	12.3	1-1/16	41.7	31.2
18MJ-FE-8N	18	1/2	1-1/16x12	15.5	1-1/8	48	34.3
18MJ-FE-12N	18	3/4	1-1/16x12	15.5	1-3/8	48	34.5
20MJ-FE-12N	20	3/4	1-3/16x12	18.3	1-3/8	47.2	36.1
25MJ-FE-16N	25	1	1-5/16x12	21.5	1-5/8	55.1	41.4

Union Elbow

JIC x JIC

For Imperial Tubing

SAE (070201)



Part No	DIMENSIONS				
	T	B	E	F	L
	Tube OD inch	JIC Thread UNF	I.D inch	Wrench Pad inch	inch
2J-UE	1/8	5/16x24	0.062	3/8	0.77
3J-UE	3/16	3/8x24	0.125	7/16	0.83
4J-UE	1/4	7/16x20	0.172	1/2	0.89
5J-UE	5/16	1/2x20	0.234	9/16	0.95
6J-UE	3/8	9/16x18	0.297	5/8	1.06
8J-UE	1/2	3/4x16	0.391	13/16	1.25
10J-UE	5/8	7/8x14	0.484	15/16	1.45
12J-UE	3/4	1-1/16x12	0.609	1-1/8	1.66
14J-UE	7/8	1-3/16x12	0.719	1-1/4	1.73
16J-UE	1	1-5/16x12	0.844	1-3/8	1.81

Union Elbow

JIC x JIC

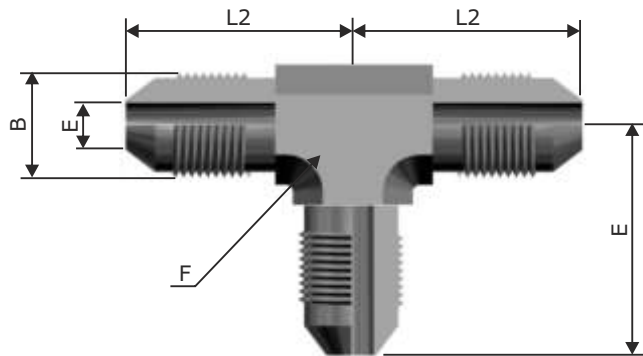
For Metric Tubing

SAE (070201)

Part No	DIMENSIONS				
	T	B	E	F	L
	Tube OD mm	JIC Thread UNF	I.D mm	Wrench Pad inch	mm
6MJ-UE	6	7/16x20	4.4	1/2	22.6
8MJ-UE	8	1/2x20	6	9/16	24.1
10MJ-UE	10	9/16x18	7.5	5/8	26.9
12MJ-UE	12	3/4x16	9.9	13/16	31.8
16MJ-UE	16	7/8x14	12.3	15/16	36.8
18MJ-UE	18	1-1/16x12	15.5	1-1/8	42.2
20MJ-UE	20	1-3/16x12	18.3	1-1/4	43.9
25MJ-UE	25	1-5/16x12	21.5	1-3/8	46

Union Tee

JIC x JIC x JIC
For Imperial Tubing
SAE (070401)



Part No	DIMENSIONS				
	T	B	E	F	L
	Tube OD	JIC Thread	I.D	Wrench Pad	
	inch	UNF	inch	inch	inch
2J-UT	1/8	5/16x24	0.062	3/8	0.77
3J-UT	3/16	3/8x24	0.125	7/16	0.83
4J-UT	1/4	7/16x20	0.172	1/2	0.89
5J-UT	5/16	1/2x20	0.234	9/16	0.95
6J-UT	3/8	9/16x18	0.297	5/8	1.06
8J-UT	1/2	3/4x16	0.391	13/16	1.25
10J-UT	5/8	7/8x14	0.484	15/16	1.45
12J-UT	3/4	1-1/16x12	0.609	1-1/8	1.66
14J-UT	7/8	1-3/16x12	0.719	1-1/4	1.73
16J-UT	1	1-5/16x12	0.844	1-3/8	1.81

Union Tee

JIC x JIC x JIC
For Metric Tubing
SAE (070401)

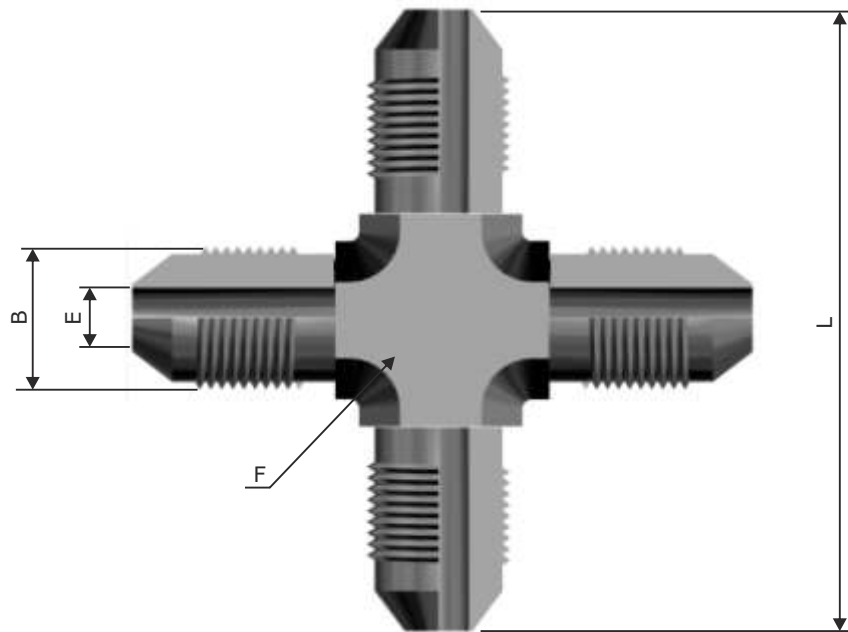
Part No	DIMENSIONS				
	T	B	E	F	L
	Tube OD	JIC Thread	I.D	Wrench Pad	
	mm	UNF	mm	inch	mm
6MJ-UT	6	7/16x20	4.4	1/2	22.6
8MJ-UT	8	1/2x20	6	9/16	24.1
10MJ-UT	10	9/16x18	7.5	5/8	26.9
12MJ-UT	12	3/4x16	9.9	13/16	31.8
16MJ-UT	16	7/8x14	12.3	15/16	36.8
18MJ-UT	18	1-1/16x12	15.5	1-1/8	42.2
20MJ-UT	20	1-3/16x12	18.3	1-1/4	43.9
25MJ-UT	25	1-5/16x12	21.5	1-3/8	46

Union Cross

JIC x JIC x JIC x JIC

For Imperial Tubing

SAE (070501)



Part No	DIMENSIONS				
	T	B	E	F	L
	Tube OD	JIC Thread	I.D	Wrench Pad	
inch	inch	UNF	inch	inch	inch
2J-UC	1/8	5/16x24	0.062	3/8	0.77
3J-UC	3/16	3/8x24	0.125	7/16	0.83
4J-UC	1/4	7/16x20	0.172	1/2	0.89
5J-UC	5/16	1/2x20	0.234	9/16	0.95
6J-UC	3/8	9/16x18	0.297	5/8	1.06
8J-UC	1/2	3/4x16	0.391	13/16	1.25
10J-UC	5/8	7/8x14	0.484	15/16	1.45
12J-UC	3/4	1-1/16x12	0.609	1-1/8	1.66
14J-UC	7/8	1-3/16x12	0.719	1-1/4	1.73
16J-UC	1	1-5/16x12	0.844	1-3/8	1.81

Union Cross

JIC x JIC x JIC x JIC

For Metric Tubing

SAE (070501)

Part No	DIMENSIONS				
	T	B	E	F	L
	Tube OD	JIC Thread	I.D	Wrench Pad	
mm	mm	UNF	mm	inch	mm
6MJ-UC	6	7/16x20	4.4	1/2	22.6
8MJ-UC	8	1/2x20	6	9/16	24.1
10MJ-UC	10	9/16x18	7.5	5/8	26.9
12MJ-UC	12	3/4x16	9.9	13/16	31.8
16MJ-UC	16	7/8x14	12.3	15/16	36.8
18MJ-UC	18	1-1/16x12	15.5	1-1/8	42.2
20MJ-UC	20	1-3/16x12	18.3	1-1/4	43.9
25MJ-UC	25	1-5/16x12	21.5	1-3/8	46

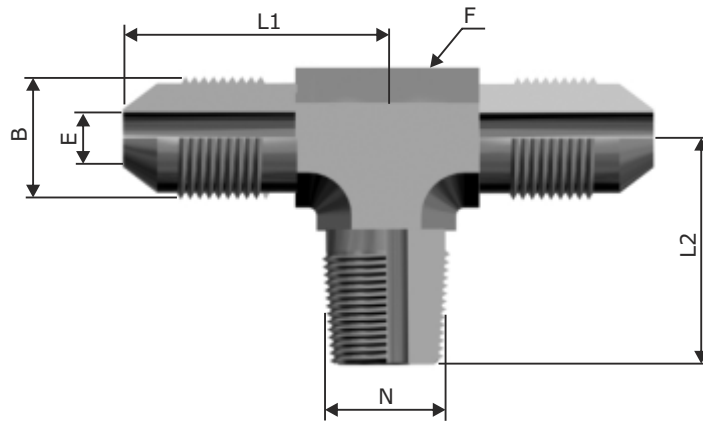
Male Branch Tee

Male Branch Tee

JIC x NPT (Male) x JIC

For Imperial Tubing

SAE (070425)



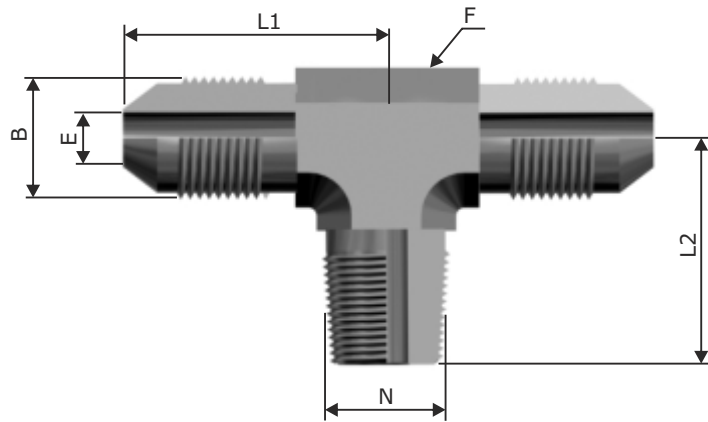
Part No	DIMENSIONS						
	T	N	B	E	F	L1	L2
	Tube OD inch	NPT male pipe Thread inch	UNF	I.D inch	Wrench Pad inch	inch	inch
2J-MBT-2N	1/8	1/8	5/16x24	0.062	7/16	0.77	0.72
3J-MBT-2N	3/16	1/8	3/8x24	0.125	7/16	0.83	0.72
4J-MBT-2N	1/4	1/8	7/16x20	0.172	1/2	0.89	0.78
4J-MBT-4N	1/4	1/4	7/16x20	0.172	9/16	1.06	1.09
5J-MBT-2N	5/16	1/8	1/2x20	0.19	9/16	0.95	0.78
5J-MBT-4N	5/16	1/4	1/2x20	0.234	9/16	1.06	1.09
6J-MBT-2N	3/8	1/8	9/16x18	0.19	5/8	1.06	0.9
6J-MBT-4N	3/8	1/4	9/16x18	0.28	5/8	1.06	1.09
6J-MBT-6N	3/8	3/8	9/16x18	0.297	11/16	1.14	1.22
6J-MBT-8N	3/8	1/2	9/16x18	0.297	7/8	1.23	1.47
8J-MBT-4N	1/2	1/4	3/4x16	0.28	13/16	1.25	1.22
8J-MBT-6N	1/2	3/8	3/4x16	0.38	13/16	1.25	1.22
8J-MBT-8N	1/2	1/2	3/4x16	0.391	7/8	1.33	1.47
8J-MBT-12N	1/2	3/4	3/4x16	0.391	1-1/8	1.42	1.59
10J-MBT-6N	5/8	3/8	7/8x14	0.38	15/16	1.45	1.28
10J-MBT-8N	5/8	1/2	7/8x14	0.47	15/16	1.45	1.47
10J-MBT-12N	5/8	3/4	7/8x14	0.484	1-1/8	1.53	1.59
12J-MBT-8N	3/4	1/2	1-1/16x12	0.47	1-1/8	1.66	1.59
12J-MBT-12N	3/4	3/4	1-1/16x12	0.609	1-1/8	1.66	1.59
14J-MBT-12N	7/8	3/4	1-3/16x12	0.719	1-1/4	1.8	1.69
16J-MBT-12N	1	3/4	1-5/16x12	0.719	1-3/8	1.81	1.78
16J-MBT-16N	1	1	1-5/16x12	0.844	1-3/8	1.81	1.97

Male Branch Tee

JIC x NPT (Male) x JIC

For Metric Tubing

SAE (070425)



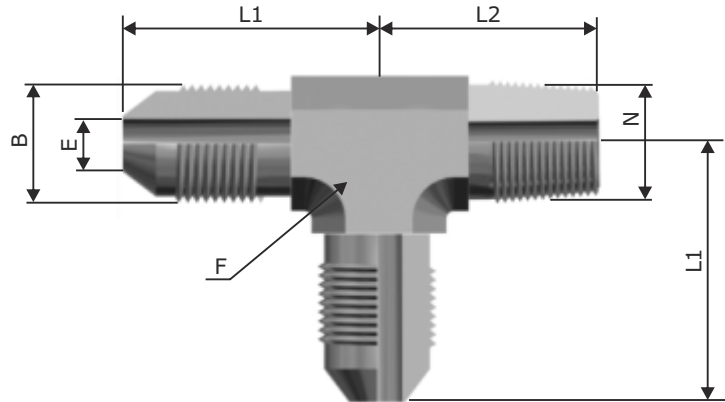
Part No	DIMENSIONS						
	T	N	B	E	F	L1	L2
	Tube OD mm	NPT male pipe Thread inch	UNF	I.D mm	Wrench Pad inch	mm	mm
6MJ-MBT-2N	6	1/8	7/16x20	4.4	1/2	22.6	19.8
6MJ-MBT-4N	6	1/4	7/16x20	4.4	9/16	26.9	27.7
8MJ-MBT-2N	8	1/8	1/2x20	4.8	9/16	24.1	19.8
8MJ-MBT-4N	8	1/4	1/2x20	6	9/16	26.9	27.7
10MJ-MBT-2N	10	1/8	9/16x18	4.8	5/8	26.9	22.8
10MJ-MBT-4N	10	1/4	9/16x18	7.1	5/8	26.9	27.7
10MJ-MBT-6N	10	3/8	9/16x18	7.5	11/16	29	31
10MJ-MBT-8N	10	1/2	9/16x18	7.5	7/8	31.2	37.3
12MJ-MBT-4N	12	1/4	3/4x16	7.1	13/16	31.8	31
12MJ-MBT-6N	12	3/8	3/4x16	9.5	13/16	31.8	31
12MJ-MBT-8N	12	1/2	3/4x16	9.9	7/8	33.7	37.3
12MJ-MBT-12N	12	3/4	3/4x16	9.9	1-1/8	36	40.4
16MJ-MBT-6N	16	3/8	7/8x14	9.5	15/16	36.8	32.5
16MJ-MBT-8N	16	1/2	7/8x14	11.9	15/16	36.8	37.3
16MJ-MBT-12N	16	3/4	7/8x14	12.3	1-1/8	38.9	40.4
18MJ-MBT-8N	18	1/2	1-1/16x12	11.9	1-1/8	41	40.4
18MJ-MBT-12N	18	3/4	1-1/16x12	15.5	1-1/8	41	40.4
20MJ-MBT-12N	20	3/4	1-3/16x12	18.3	1-1/4	45.7	42.9
25MJ-MBT-12N	25	3/4	1-5/16x12	18.3	1-3/8	46	45.2
25MJ-MBT-16N	25	1	1-5/16x12	21.5	1-3/8	46	50

Male Run Tee

JIC x NPT (Female)

For Imperial Tubing

SAE (070424)



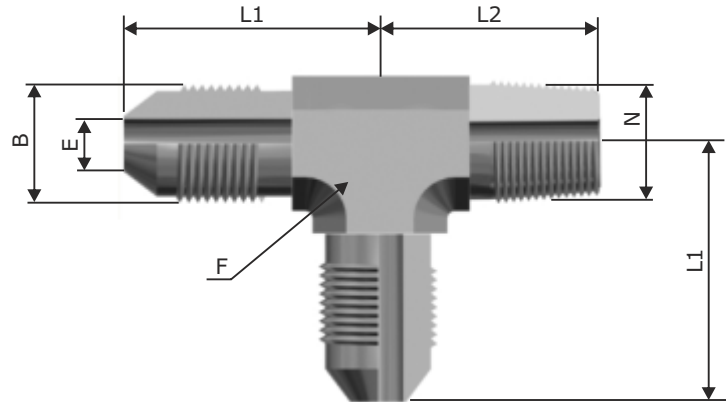
Part No	DIMENSIONS						
	T Tube OD inch	N NPT male pipe Thread	B UNF	E I.D inch	F Wrench Pad inch	L1 inch	L2 inch
2J-MRT-2N	1/8	1/8	5/16x24	0.062	7/16	0.77	0.72
3J-MRT-2N	3/16	1/8	3/8x24	0.125	7/16	0.83	0.72
4J-MRT-2N	1/4	1/8	7/16x20	0.172	1/2	0.89	0.78
4J-MRT-4N	1/4	1/4	7/16x20	0.172	9/16	1.06	1.09
5J-MRT-2N	5/16	1/8	1/2x20	0.19	9/16	0.95	0.78
5J-MRT-4N	5/16	1/4	1/2x20	0.234	9/16	1.06	1.09
6J-MRT-2N	3/8	1/8	9/16x18	0.19	5/8	1.06	0.9
6J-MRT-4N	3/8	1/4	9/16x18	0.28	5/8	1.06	1.09
6J-MRT-6N	3/8	3/8	9/16x18	0.297	11/16	1.14	1.22
6J-MRT-8N	3/8	1/2	9/16x18	0.297	7/8	1.23	1.47
8J-MRT-4N	1/2	1/4	3/4x16	0.28	13/16	1.25	1.22
8J-MRT-6N	1/2	3/8	3/4x16	0.38	13/16	1.25	1.22
8J-MRT-8N	1/2	1/2	3/4x16	0.391	7/8	1.33	1.47
8J-MRT-12N	1/2	3/4	3/4x16	0.391	1-1/8	1.42	1.59
10J-MRT-6N	5/8	3/8	7/8x14	0.38	15/16	1.45	1.28
10J-MRT-8N	5/8	1/2	7/8x14	0.47	15/16	1.45	1.47
10J-MRT-12N	5/8	3/4	7/8x14	0.484	1-1/8	1.53	1.59
12J-MRT-8N	3/4	1/2	1-1/16x12	0.47	1-1/8	1.66	1.59
12J-MRT-12N	3/4	3/4	1-1/16x12	0.609	1-1/8	1.66	1.59
14J-MRT-12N	7/8	3/4	1-3/16x12	0.719	1-1/4	1.8	1.69
16J-MRT-12N	1	3/4	1-5/16x12	0.719	1-3/8	1.81	1.78
16J-MRT-16N	1	1	1-5/16x12	0.844	1-3/8	1.81	1.97

Male Run Tee

JIC x NPT (Female)

For Metric Tubing

SAE (070424)



Part No	DIMENSIONS						
	T	N	B	E	F	L1	L2
	Tube OD mm	NPT male pipe Thread inch	UNF	I.D mm	Wrench Pad inch	mm	mm
6MJ-MRT-2N	6	1/8	7/16x20	4.4	1/2	22.6	19.8
6MJ-MRT-4N	6	1/4	7/16x20	4.4	9/16	26.9	27.7
8MJ-MRT-2N	8	1/8	1/2x20	4.8	9/16	24.1	19.8
8MJ-MRT-4N	8	1/4	1/2x20	6	9/16	26.9	27.7
10MJ-MRT-2N	10	1/8	9/16x18	4.8	5/8	26.9	22.8
10MJ-MRT-4N	10	1/4	9/16x18	7.1	5/8	26.9	27.7
10MJ-MRT-6N	10	3/8	9/16x18	7.5	11/16	29	31
10MJ-MRT-8N	10	1/2	9/16x18	7.5	7/8	31.2	37.3
12MJ-MRT-4N	12	1/4	3/4x16	7.1	13/16	31.8	31
12MJ-MRT-6N	12	3/8	3/4x16	9.5	13/16	31.8	31
12MJ-MRT-8N	12	1/2	3/4x16	9.9	7/8	33.7	37.3
12MJ-MRT-12N	12	3/4	3/4x16	9.9	1-1/8	36	40.4
16MJ-MRT-6N	16	3/8	7/8x14	9.5	15/16	36.8	32.5
16MJ-MRT-8N	16	1/2	7/8x14	11.9	15/16	36.8	37.3
16MJ-MRT-12N	16	3/4	7/8x14	12.3	1-1/8	38.9	40.4
18MJ-MRT-8N	18	1/2	1-1/16x12	11.9	1-1/8	41	40.4
18MJ-MRT-12N	18	3/4	1-1/16x12	15.5	1-1/8	41	40.4
20MJ-MRT-12N	20	3/4	1-3/16x12	18.3	1-1/4	45.7	42.9
25MJ-MRT-12N	25	3/4	1-5/16x12	18.3	1-3/8	46	45.2
25MJ-MRT-16N	25	1	1-5/16x12	21.5	1-3/8	46	50

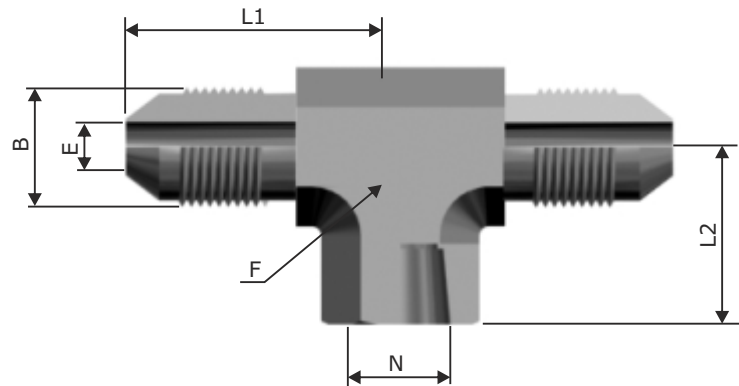
Female Branch Tee

Female Branch Tee

JIC x NPT (Female) x JIC

For Imperial Tubing

SAE (070427)



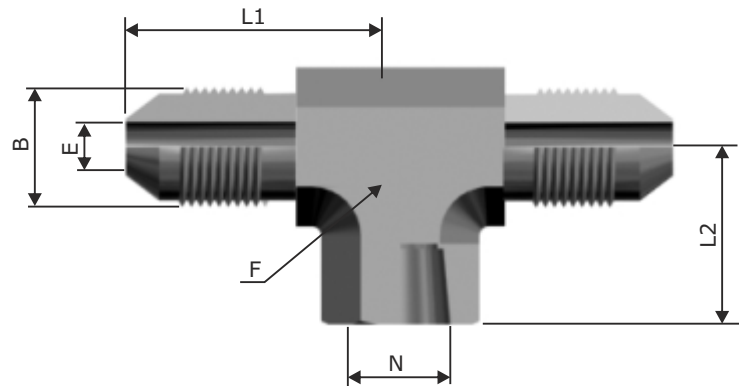
Part No	DIMENSIONS						
	T	N	B	E	F	L1	L2
	Tube OD inch	NPT male pipe Thread inch	UNF	I.D inch	Wrench Pad inch	inch	inch
2J-FBT-2N	1/8	1/8	5/16x24	0.062	9/16	1	0.66
3J-FBT-2N	3/16	1/8	3/8x24	0.125	9/16	1.03	0.66
4J-FBT-2N	1/4	1/8	7/16x20	0.172	9/16	1.08	0.66
4J-FBT-4N	1/4	1/4	7/16x20	0.172	3/4	1.22	0.88
5J-FBT-2N	5/16	1/8	1/2x20	0.234	9/16	1.08	0.66
5J-FBT-4N	5/16	1/4	1/2x20	0.234	3/4	1.13	0.88
6J-FBT-2N	3/8	1/8	9/16x18	0.297	5/8	1.23	0.67
6J-FBT-4N	3/8	1/4	9/16x18	0.297	3/4	1.23	0.88
6J-FBT-6N	3/8	3/8	9/16x18	0.297	7/8	1.31	1.02
8J-FBT-4N	1/2	1/4	3/4x16	0.391	13/16	1.42	1.02
8J-FBT-6N	1/2	3/8	3/4x16	0.391	7/8	1.42	1.02
8J-FBT-8N	1/2	1/2	3/4x16	0.391	1-1/16	1.52	1.23
10J-FBT-8N	5/8	1/2	7/8x14	0.484	1-1/16	1.64	1.23
12J-FBT-8N	3/4	1/2	1-1/16x12	0.609	1-1/8	1.89	1.35
12J-FBT-12N	3/4	3/4	1-1/16x12	0.609	1-3/8	1.89	1.36
14J-FBT-12N	7/8	3/4	1-3/16x12	0.719	1-3/8	1.86	1.42
16J-FBT-16N	1	1	1-5/16x12	0.844	1-5/8	2.17	1.63

Female Branch Tee

JIC x NPT (Female) x JIC

For Metric Tubing

SAE (070427)



Part No	DIMENSIONS						
	T	N	B	E	F	L1	L2
	Tube OD mm	NPT male pipe Thread inch	UNF	I.D mm	Wrench Pad inch	mm	mm
4J-FBT-2N	6	1/8	7/16x20	4.4	9/16	27.7	16.8
4J-FBT-4N	6	1/4	7/16x20	4.4	3/4	30.9	22.4
5J-FBT-2N	8	1/8	1/2x20	6	9/16	27.4	16.8
5J-FBT-4N	8	1/4	1/2x20	6	3/4	28.7	22.4
6J-FBT-2N	10	1/8	9/16x18	7.5	5/8	31.2	17
6J-FBT-4N	10	1/4	9/16x18	7.5	3/4	31.2	22.4
6J-FBT-6N	10	3/8	9/16x18	7.5	7/8	33.2	25.9
8J-FBT-4N	12	1/4	3/4x16	9.9	13/16	36.1	25.9
8J-FBT-6N	12	3/8	3/4x16	9.9	7/8	36.1	25.9
8J-FBT-8N	12	1/2	3/4x16	9.9	1-1/16	38.6	31.2
10J-FBT-8N	16	1/2	7/8x14	12.3	1-1/16	41.7	31.2
12J-FBT-8N	18	1/2	1-1/16x12	15.5	1-1/8	48	34.3
12J-FBT-12N	18	3/4	1-1/16x12	15.5	1-3/8	48	34.5
14J-FBT-12N	20	3/4	1-3/16x12	18.3	1-3/8	47.2	36.1
16J-FBT-16N	25	1	1-5/16x12	21.5	1-5/8	55.1	41.4

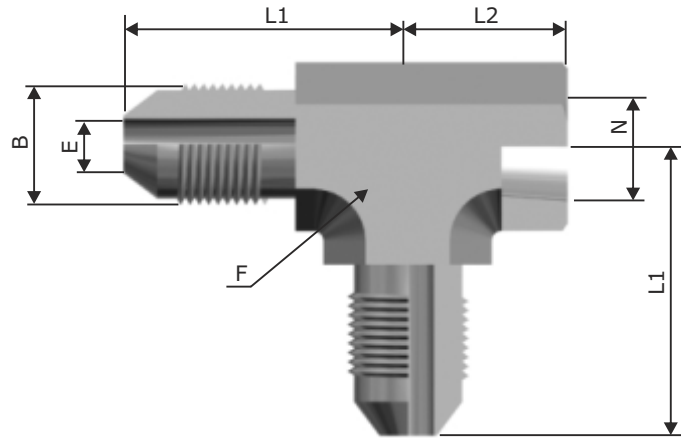
Female Run Tee

Female Run Tee

JIC x JIC x NPT (Female)

For Imperial Tubing

SAE (070426)



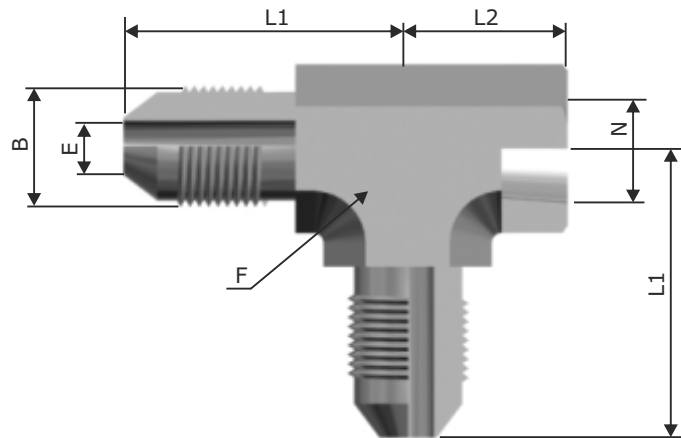
Part No	DIMENSIONS						
	T	N	B	E	F	L1	L2
	Tube OD	NPT male pipe Thread	UNF	I.D	Wrench Pad	inch	inch
inch	inch	inch	inch	inch	inch	inch	inch
2J-FRT-2N	1/8	1/8	5/16x24	0.062	9/16	1	0.66
3J-FRT-2N	3/16	1/8	3/8x24	0.125	9/16	1.03	0.66
4J-FRT-2N	1/4	1/8	7/16x20	0.172	9/16	1.08	0.66
4J-FRT-4N	1/4	1/4	7/16x20	0.172	3/4	1.22	0.88
5J-FRT-2N	5/16	1/8	1/2x20	0.234	9/16	1.08	0.66
5J-FRT-4N	5/16	1/4	1/2x20	0.234	3/4	1.13	0.88
6J-FRT-2N	3/8	1/8	9/16x18	0.297	5/8	1.23	0.67
6J-FRT-4N	3/8	1/4	9/16x18	0.297	3/4	1.23	0.88
6J-FRT-6N	3/8	3/8	9/16x18	0.297	7/8	1.31	1.02
8J-FRT-4N	1/2	1/4	3/4x16	0.391	13/16	1.42	1.02
8J-FRT-6N	1/2	3/8	3/4x16	0.391	7/8	1.42	1.02
8J-FRT-8N	1/2	1/2	3/4x16	0.391	1-1/16	1.52	1.23
10J-FRT-8N	5/8	1/2	7/8x14	0.484	1-1/16	1.64	1.23
12J-FRT-8N	3/4	1/2	1-1/16x12	0.609	1-1/8	1.89	1.35
12J-FRT-12N	3/4	3/4	1-1/16x12	0.609	1-3/8	1.89	1.36
14J-FRT-12N	7/8	3/4	1-3/16x12	0.719	1-3/8	1.86	1.42
16J-FRT-16N	1	1	1-5/16x12	0.844	1-5/8	2.17	1.63

Female Run Tee

JIC x JIC x NPT (Female)

For Metric Tubing

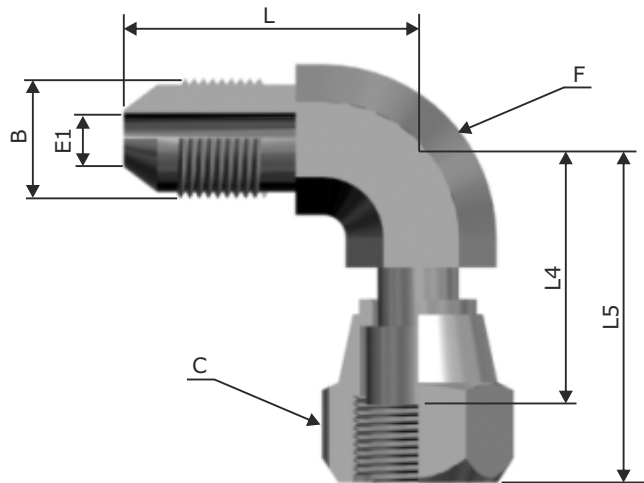
SAE (070426)



Part No	DIMENSIONS						
	T	N	B	E	F	L1	L2
	Tube OD mm	NPT male pipe Thread inch	UNF	I.D mm	Wrench Pad inch	mm	mm
4J-FRT-2N	6	1/8	7/16x20	4.4	9/16	27.7	16.8
4J-FRT-4N	6	1/4	7/16x20	4.4	3/4	30.9	22.4
5J-FRT-2N	8	1/8	1/2x20	6	9/16	27.4	16.8
5J-FRT-4N	8	1/4	1/2x20	6	3/4	28.7	22.4
6J-FRT-2N	10	1/8	9/16x18	7.5	5/8	31.2	17
6J-FRT-4N	10	1/4	9/16x18	7.5	3/4	31.2	22.4
6J-FRT-6N	10	3/8	9/16x18	7.5	7/8	33.2	25.9
8J-FRT-4N	12	1/4	3/4x16	9.9	13/16	36.1	25.9
8J-FRT-6N	12	3/8	3/4x16	9.9	7/8	36.1	25.9
8J-FRT-8N	12	1/2	3/4x16	9.9	1-1/16	38.6	31.2
10J-FRT-8N	16	1/2	7/8x14	12.3	1-1/16	41.7	31.2
12J-FRT-8N	18	1/2	1-1/16x12	15.5	1-1/8	48	34.3
12J-FRT-12N	18	3/4	1-1/16x12	15.5	1-3/8	48	34.5
14J-FRT-12N	20	3/4	1-3/16x12	18.3	1-3/8	47.2	36.1
16J-FRT-16N	25	1	1-5/16x12	21.5	1-5/8	55.1	41.4

Swivel Elbow

JIC x Swivel Joint
For Imperial Tubing
SAE (070221)



Part No	DIMENSIONS							
	T	C	B	E1	F	L	L4	L5
	Tube OD inch	Hex Size inch	JIC Thread UNF	I.D inch	Wrench Pad inch	inch	inch	inch
2J-SE-2SJ	1/8	7/16	5/16x24	0.062	7/16	0.77	0.66	0.97
3J-SE-3SJ	3/16	1/2	3/8x24	0.125	7/16	0.83	0.67	1
4J-SE-4SJ	1/4	9/16	7/16x20	0.172	7/16	0.89	0.65	1
5J-SE-5SJ	5/16	5/8	1/2x20	0.234	9/16	0.95	0.678	1.06
6J-SE-6SJ	3/8	11/16	9/16x18	0.297	9/16	1.06	0.87	1.25
8J-SE-8SJ	1/2	7/8	3/4x16	0.391	3/4	1.25	0.95	1.38
10J-SE-10SJ	5/8	1	7/8x14	0.484	7/8	1.45	1.12	1.62
12J-SE-12SJ	3/4	1 1/4	1-1/16x12	0.609	1 1/16	1.66	1.18	1.75
14J-SE-14SJ	7/8	1 3/8	1-3/16x12	0.719	1 5/16	1.8	1.2	1.78
16J-SE-16SJ	1	1 1/2	1-5/16x12	0.844	1 5/16	1.81	1.4	2

Swivel Elbow

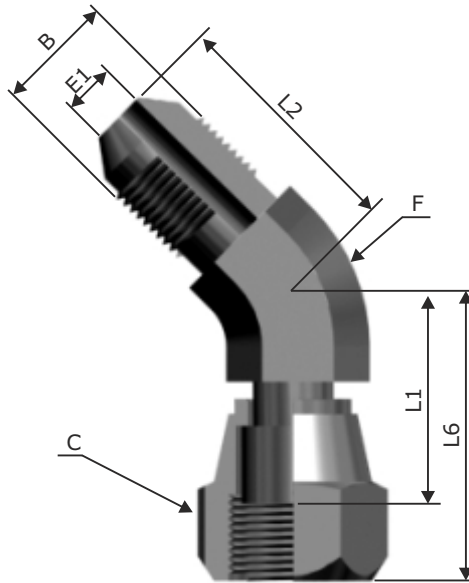
JIC x Swivel Joint
For Metric Tubing
SAE (070221)

Part No	DIMENSIONS							
	T	C	B	E1	F	L	L4	L5
	Tube OD mm	Hex Size inch	JIC Thread UNF	I.D mm	Wrench Pad inch	mm	mm	mm
3MJ-SE-3MSJ	3	7/16	5/16x24	1.5748	7/16	19.558	16.764	24.638
5MJ-SE-5MSJ	5	1/2	3/8x24	3.175	7/16	21.082	17.018	25.4
6MJ-SE-6MSJ	6	9/16	7/16x20	4.3688	7/16	22.606	16.51	25.4
8MJ-SE-8MSJ	8	5/8	1/2x20	5.9436	9/16	24.13	17.2212	26.924
10MJ-SE-10MSJ	10	11/16	9/16x18	7.5438	9/16	26.924	22.098	31.75
12MJ-SE-12MSJ	12	7/8	3/4x16	9.9314	3/4	31.75	24.13	35.052
16MJ-SE-16MSJ	16	1	7/8x14	12.2936	7/8	36.83	28.448	41.148
19MJ-SE-19MSJ	19	1 1/4	1-1/16x12	15.4686	1 1/16	42.164	29.972	44.45
22MJ-SE-22MSJ	22	1 3/8	1-3/16x12	18.2626	1 5/16	45.72	30.48	45.212
25MJ-SE-25MSJ	25	1 1/2	1-5/16x12	21.4376	1 5/16	45.974	35.56	50.8

45 Degree Swivel Elbow

45 Deg. Swivel Elbow

JIC x Swivel Joint
For Imperial Tubing
SAE (070321)



Part No	DIMENSIONS								
	T Tube OD inch	C Hex Size inch	B JIC Thread UNF	E1 I.D inch	F Wrench Pad inch	L1 inch	L2 inch	L6 inch	
2J-45SE-2SJ	1/8	7/16	5/16x24	0.062	7/16	0.63	0.69	0.94	
4J-45SE-4SJ	1/4	9/16	7/16x20	0.172	7/16	0.59	0.72	0.94	
5J-45SE-5SJ	5/16	5/8	1/2x20	0.234	9/16	0.62	0.77	1	
6J-45SE-6SJ	3/8	11/16	9/16x18	0.297	9/16	0.82	0.83	1.12	
8J-45SE-8SJ	1/2	7/8	3/4x16	0.391	3/4	0.85	0.98	1.28	
10J-45SE-10SJ	5/8	1	7/8x14	0.484	7/8	0.94	1.11	1.44	
12J-45SE-12SJ	3/4	1 1/4	1-1/16x12	0.609	1 1/16	0.931	1.28	1.5	
14J-45SE-14SJ	7/8	1 3/8	1-3/16x12	0.719	1 5/16	1.04	1.45	1.62	
16J-45SE-16SJ	1	1 1/2	1-5/16x12	0.844	1-3/8	1.15	1.47	1.75	

45 Deg. Swivel Elbow

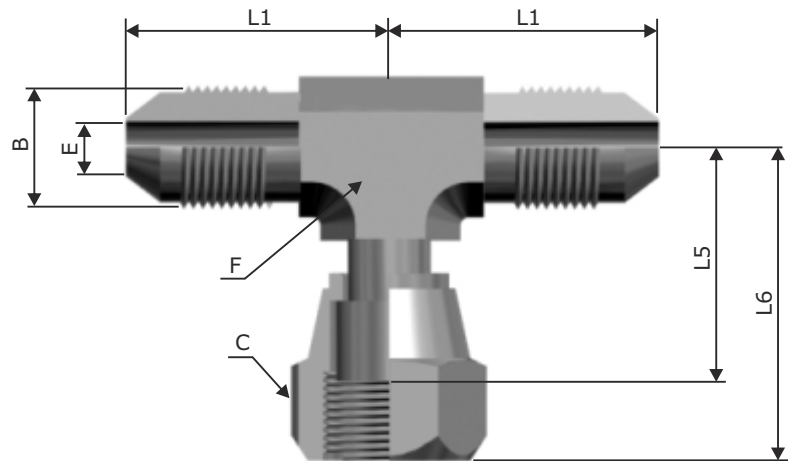
JIC x Swivel Joint
For Metric Tubing
SAE (070321)

Part No	DIMENSIONS								
	T Tube OD mm	C Hex Size inch	B JIC Thread UNF	E1 I.D mm	F Wrench Pad inch	L1 mm	L2 mm	L6 mm	
3MJ-45SE-3MSJ	3	7/16	5/16x24	1.5748	7/16	16.002	17.526	23.876	
6MJ-45E-6MSJ	6	9/16	7/16x20	4.3688	7/16	14.986	18.288	23.876	
8MJ-45E-8MSJ	8	5/8	1/2x20	5.9436	9/16	15.748	19.558	25.4	
10MJ-45E-10MSJ	10	11/16	9/16x18	7.5438	9/16	20.828	21.082	28.448	
12MJ-45E-12MSJ	12	7/8	3/4x16	9.9314	3/4	21.59	24.892	32.512	
16MJ-45E-16MSJ	16	1	7/8x14	12.2936	7/8	23.876	28.194	36.576	
19MJ-45E-19MSJ	19	1 1/4	1-1/16x12	15.4686	1 1/16	23.6474	32.512	38.1	
22MJ-45E-22MSJ	22	1 3/8	1-3/16x12	18.2626	1 5/16	26.416	36.83	41.148	
25MJ-45E-25MSJ	25	1 1/2	1-5/16x12	21.4376	1-3/8	29.21	37.338	44.45	

Swivel Branch Tee

Swivel Branch Tee

JIC x Swivel Joint x JIC
For Imperial Tubing
SAE (070433)



Part No	DIMENSIONS							
	T Tube OD inch	C Hex inch	B JIC Thread UNF	E I.D inch	F Wrench Pad inch	L1 inch	L5 inch	L6 inch
3J-SBT-3SJ	3/16	1/2	3/8x24	0.125	7/16	0.83	0.67	1
4J-SBT-4SJ	1/4	9/16	7/16x20	0.172	7/16	0.89	0.65	1
6J-SBT-6SJ	3/8	11/16	9/16x18	0.297	9/16	1.06	0.87	1.25
8J-SBT-8SJ	1/2	7/8	3/4x16	0.391	3/4	1.25	1.08	1.38
12J-SBT-12SJ	3/4	1 1/4	1-1/16x12	0.609	1 1/16	1.66	1.18	1.75
16J-SBT-16SJ	1	1 1/2	1-5/16x12	0.844	1 5/16	1.81	1.4	2

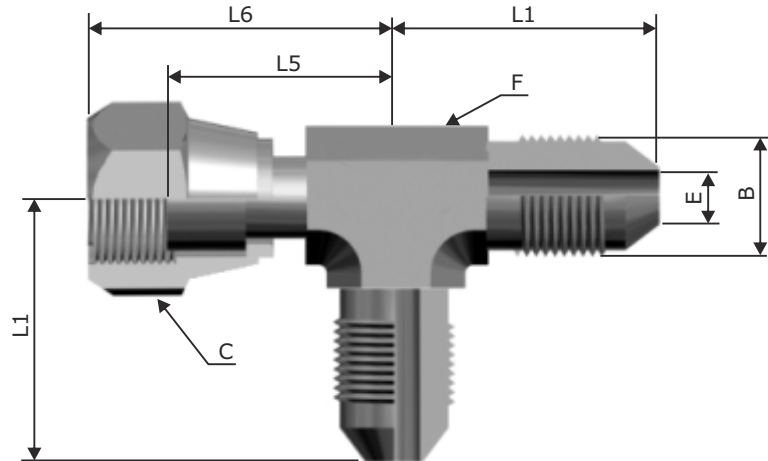
Swivel Branch Tee

JIC x Swivel Joint x JIC
For Metric Tubing
SAE (070433)

Part No	DIMENSIONS							
	T Tube OD mm	C Hex inch	B JIC Thread UNF	E I.D mm	F Wrench Pad inch	L1 mm	L5 mm	L6 mm
5MJ-SBT-5MSJ	5	1/2	3/8x24	3.175	7/16	21.082	17.018	25.4
6MJ-SBT-6MSJ	6	9/16	7/16x20	4.3688	7/16	22.606	16.51	25.4
10MJ-SBT-10MSJ	10	11/16	9/16x18	7.5438	9/16	26.924	22.098	31.75
12MJ-SBT-12MSJ	12	7/8	3/4x16	9.9314	3/4	31.75	27.432	35.052
19MJ-SBT-19MSJ	19	1 1/4	1-1/16x12	15.4686	1 1/16	42.164	29.972	44.45
25MJ-SBT-25MSJ	25	1 1/2	1-5/16x12	21.4376	1 5/16	45.974	35.56	50.8

Swivel Run Tee

JIC x JIC x Swivel Joint
For Imperial Tubing
SAE (070432)



Part No	DIMENSIONS							
	T Tube OD inch	C Hex inch	B JIC Thread UNF	E I.D. inch	F Wrench Pad inch	L1 inch	L2 inch	L3 inch
3SJ-URT-3J	3/16	1/2	3/8x24	0.125	7/16	0.83	0.67	1
4SJ-URT-4J	1/4	9/16	7/16x20	0.172	7/16	0.89	0.65	1
6SJ-URT-6J	3/8	11/16	9/16x18	0.297	9/16	1.06	0.87	1.25
8SJ-URT-8J	1/2	7/8	3/4x16	0.391	3/4	1.25	1.08	1.38
12SJ-URT-12J	3/4	1 1/4	1-1/16x12	0.609	1 1/16	1.66	1.18	1.75
16SJ-URT-16J	1	1 1/2	1-5/16x12	0.844	1 5/16	1.81	1.4	2

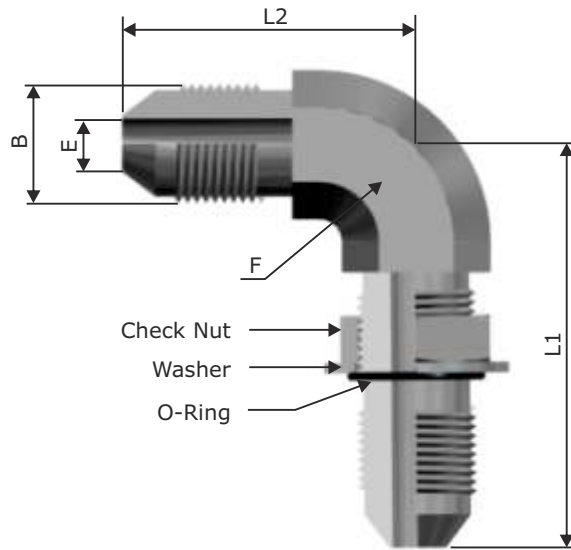
Swivel Run Tee

JIC x JIC x Swivel Joint
For Metric Tubing
SAE (070432)

Part No	DIMENSIONS							
	T Tube OD mm	C Hex inch	B JIC Thread UNF	E I.D. mm	F Wrench Pad inch	L1 mm	L2 mm	L3 mm
5MSJ-URT-5MJ	5	1/2	3/8x24	3.175	7/16	21.082	17.018	25.4
6MSJ-URT-6MJ	6	9/16	7/16x20	4.3688	7/16	22.606	16.51	25.4
10MSJ-URT-10MJ	10	11/16	9/16x18	7.5438	9/16	26.924	22.098	31.75
12MSJ-URT-12MJ	12	7/8	3/4x16	9.9314	3/4	31.75	27.432	35.052
19MSJ-URT-19MJ	19	1 1/4	1-1/16x12	15.4686	1 1/16	42.164	29.972	44.45
25MSJ-URT-25MJ	25	1 1/2	1-5/16x12	21.4376	1 5/16	45.974	35.56	50.8

SAEON Elbow

JIC x SAE Thread with Check Nut,
O-Ring & Washer
For Imperial Tubing
SAE (070220)



Part No	DIMENSIONS					
	T	B	E	F	L2	L1
	Tube OD	JIC Thread	I.D	Wrench Pad		
inch	inch	UNF	inch	inch	inch	inch
2J-ME-2SAEON	1/8	5/16x24	0.062	7/16	0.77	0.94
4J-ME-4SAEON	1/4	7/16x20	0.172	9/16	0.89	1.03
6J-ME-6SAEON	3/8	9/16x18	0.297	11/16	1.06	1.25
8J-ME-8SAEON	1/2	3/4x16	0.391	7/8	1.25	1.45
12J-ME-12SAEON	3/4	1-1/16x12	0.609	1-1/8	1.66	1.94
16J-ME-16SAEON	1	1-5/16x12	0.844	1-3/8	1.81	2.05

SAEON Elbow

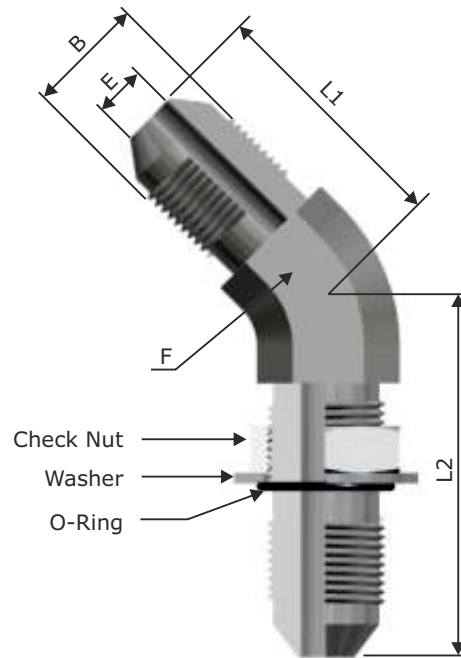
JIC x SAE Thread with Check Nut,
O-Ring & Washer
For Metric Tubing
SAE (070220)

Part No	DIMENSIONS					
	T	B	E	F	L2	L1
	Tube OD	JIC Thread	I.D	Wrench Pad		
mm	mm	UNF	mm	inch	mm	mm
3MJ-ME-3MSAEON	3	5/16x24	1.5748	7/16	19.558	23.876
6MJ-ME-6MSAEON	6	7/16x20	4.3688	9/16	22.606	26.162
10MJ-ME-10MSAEON	10	9/16x18	7.5438	11/16	26.924	31.75
12MJ-ME-12MSAEON	12	3/4x16	9.9314	7/8	31.75	36.83
19MJ-ME-19MSAEON	19	1-1/16x12	15.4686	1-1/8	42.164	49.276
25MJ-ME-25MSAEON	25	1-5/16x12	21.4376	1-3/8	45.974	52.07

SAEON 45 Deg. Elbow

SAEON 45 Deg. Elbow

JIC x SAE Thread with Check Nut,
O-Ring & Washer
For Imperial Tubing
SAE (070320)



Part No	DIMENSIONS					
	T	B	E	F	L1	L2
	Tube OD inch	JIC Thread UNF	I.D inch	Wrench Pad inch	inch	inch
2J-45E-2SAEON	1/8	5/16x24	0.062	7/16	0.69	0.88
4J-45E-4SAEON	1/4	7/16x20	0.172	9/16	0.72	1.05
6J-45E-6SAEON	3/8	9/16x18	0.297	11/16	0.83	1.14
8J-45E-8SAEON	1/2	3/4x16	0.391	7/8	0.98	1.3
12J-45E-12SAEON	3/4	1-1/16x12	0.609	1-1/8	1.28	1.73
16J-45E-16SAEON	1	1-5/16x12	0.844	1-3/8	1.47	1.86

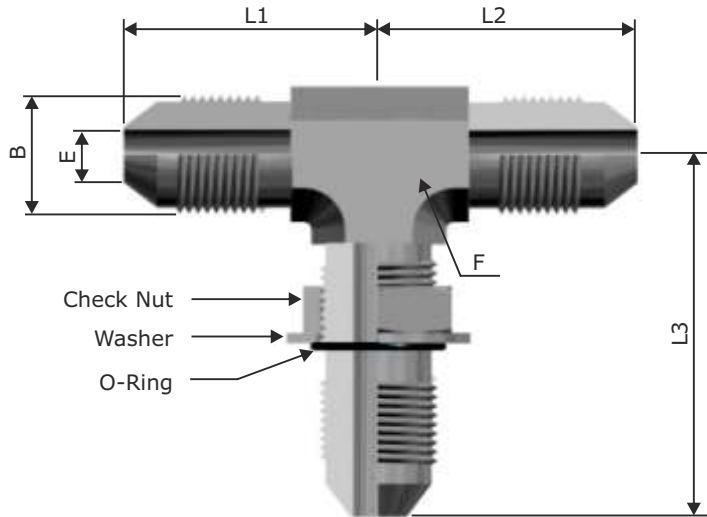
SAEON 45 Deg. Elbow

JIC x SAE Thread with Check Nut,
O-Ring & Washer
For Metric Tubing
SAE (070320)

Part No	DIMENSIONS					
	T	B	E	F	L1	L2
	Tube OD mm	JIC Thread UNF	I.D mm	Wrench Pad inch	mm	mm
3MJ-45E-3MSAEON	3	5/16x24	1.5748	7/16	17.526	22.352
6MJ-45E-6MSAEON	6	7/16x20	4.3688	9/16	18.288	26.67
10MJ-45E-10MSAEON	10	9/16x18	7.5438	11/16	21.082	28.956
12MJ-45E-12MSAEON	12	3/4x16	9.9314	7/8	24.892	33.02
19MJ-45E-19MSAEON	19	1-1/16x12	15.4686	1-1/8	32.512	43.942
25MJ-45E-25MSAEON	25	1-5/16x12	21.4376	1-3/8	37.338	47.244

SAEON Branch Tee

JIC x SAE Thread with Check Nut,
O-Ring & Washer x JIC
For Imperial Tubing
SAE (070429)



Part No	DIMENSIONS							
	T Tube OD inch	C Hex inch	B JIC Thread UNF	E1 I.D inch	F Wrench Pad inch	L1 inch	L2 inch	L3 inch
3J-BT-3SAEON	3/16	1/2	3/8x24	0.125	7/16	0.83	0.83	0.94
4J-BT-4SAEON	1/4	9/16	7/16x20	0.172	7/16	0.89	0.89	1.03
6J-BT-6SAEON	3/8	11/16	9/16x18	0.297	9/16	1.06	1.06	1.25
8J-BT-8SAEON	1/2	7/8	3/4x16	0.391	3/4	1.25	1.25	1.45
12J-BT-12SAEON	3/4	1 1/4	1-1/16x12	0.609	1 1/16	1.66	1.66	1.94
16J-BT-16SAEON	1	1 1/2	1-5/16x12	0.844	1 5/16	1.81	1.81	2.05

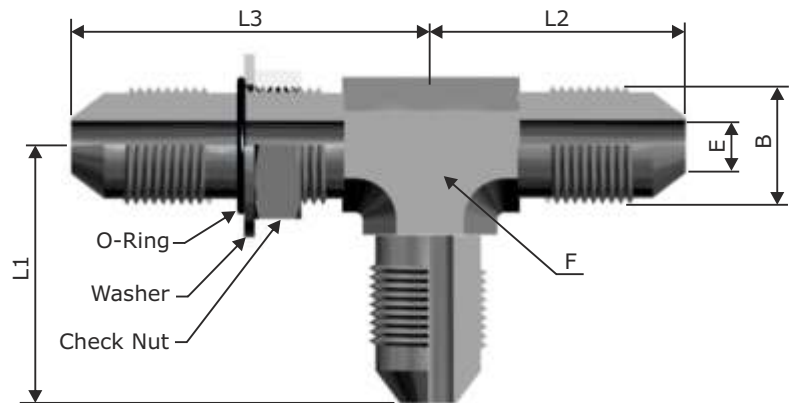
SAEON Branch Tee

JIC x SAE Thread with Check Nut,
O-Ring & Washer x JIC
For Metric Tubing
SAE (070429)

Part No	DIMENSIONS							
	T Tube OD mm	C Hex inch	B JIC Thread UNF	E1 I.D mm	F Wrench Pad inch	L1 mm	L2 mm	L3 mm
5MJ-BT-5MSAEON	5	1/2	3/8x24	3.175	7/16	21.082	21.082	23.88
6MJ-BT-6MSAEON	6	9/16	7/16x20	4.3688	7/16	22.606	22.606	26.16
10MJ-BT-10MSAEON	10	11/16	9/16x18	7.5438	9/16	26.924	26.924	31.75
12MJ-BT-12MSAEON	12	7/8	3/4x16	9.9314	3/4	31.75	31.75	36.83
19MJ-BT-19MSAEON	19	1 1/4	1-1/16x12	15.4686	1 1/16	42.164	42.164	49.28
25MJ-BT-25MSAEON	25	1 1/2	1-5/16x12	21.4376	1 5/16	45.974	45.974	52.07

SAEON Run Tee

JIC x JIC x SAE Thread with Check Nut,
O-Ring & Washer
For Imperial Tubing
SAE (070428)



Part No	DIMENSIONS						
	T Tube OD inch	B JIC Thread UNF	E I.D inch	F Wrench Pad inch	L1 inch	L2 inch	L3 inch
3J-SRT-3SAEON	3/16	3/8x24	0.125	7/16	0.83	0.83	0.94
4J-SRT-4SAEON	1/4	7/16x20	0.172	7/16	0.89	0.89	1.03
6J-SRT-6SAEON	3/8	9/16x18	0.297	9/16	1.06	1.06	1.25
8J-SRT-8SAEON	1/2	3/4x16	0.391	3/4	1.25	1.25	1.45
12J-SRT-12SAEON	3/4	1-1/16x12	0.609	1 1/16	1.66	1.66	1.94
16J-SRT-16SAEON	1	1-5/16x12	0.844	1 5/16	1.81	1.81	2.05

SAEON Run Tee

JIC x JIC x SAE Thread with Check Nut,
O-Ring & Washer
For Metric Tubing
SAE (070428)

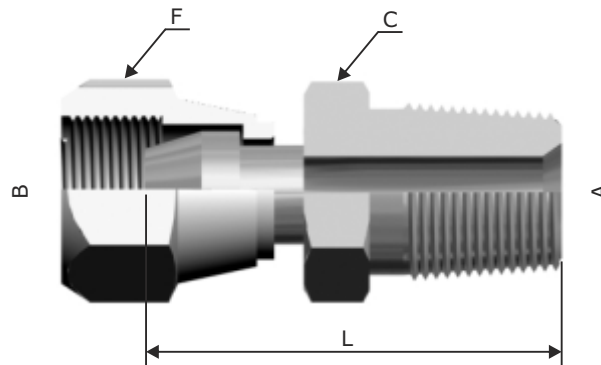
Part No	DIMENSIONS						
	T Tube OD mm	B JIC Thread UNF	E I.D mm	F Wrench Pad inch	L1 mm	L2 mm	L3 mm
5MJ-SRT-5MSAEON	5	3/8x24	3.175	7/16	21.082	21.082	23.88
6MJ-SRT-6MSAEON	6	7/16x20	4.3688	7/16	22.606	22.606	26.16
10MJ-SRT-10MSAEON	10	9/16x18	7.5438	9/16	26.924	26.924	31.75
12MJ-SRT-12MSAEON	12	3/4x16	9.9314	3/4	31.75	31.75	36.83
19MJ-SRT-19MSAEON	19	1-1/16x12	15.4686	1 1/16	42.164	42.164	49.28
25MJ-SRT-25MSAEON	25	1-5/16x12	21.4376	1 5/16	45.974	45.974	52.07

Swivel Male Connector

Swivel Male Connector

NPTF (M) x Swivel NPS Thread

SAE (070321)



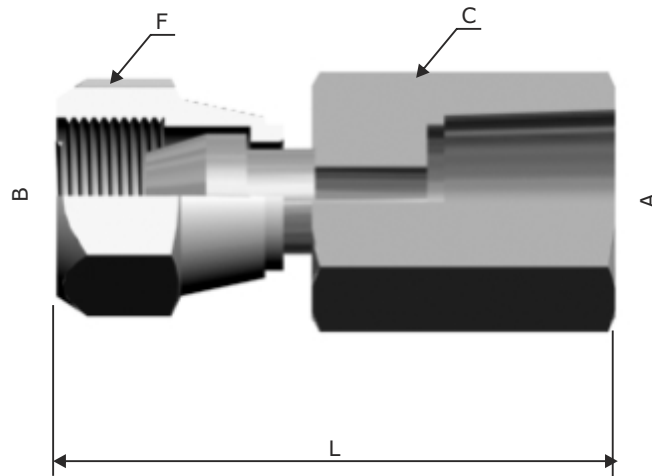
Part No	DIMENSIONS				
	A	B	F	C	L
	NPT Thread	NPT Thread	Hex Size	Hex Size	
inch	NPTF(M)	NPSM	inch	inch	inch
2NFM-SMC-2NPSF	1/8x27	1/8x27	0.5	0.56	1
2NFM-SMC-4NPSF	1/8x27	1/4x18	0.64	0.69	1.06
4NFM-SMC-2NPSF	1/4x18	1/8x27	0.64	0.56	1.19
4NFM-SMC-4NPSF	1/4x18	1/4x18	0.64	0.69	1.25
4NFM-SMC-6NPSF	1/4x18	3/8x18	0.81	0.88	1.31
4NFM-SMC-8NPSF	1/4x18	1/2x14	0.94	1	1.42
6NFM-SMC-4NPSF	3/8x18	1/4x18	0.75	0.69	1.31
6NFM-SMC-6NPSF	3/8x18	3/8x18	0.81	0.88	1.31
6NFM-SMC-8NPSF	3/8x18	1/2x14	0.94	1	1.42
8NFM-SMC-4NPSF	1/2x14	1/4x18	0.88	0.69	1.56
8NFM-SMC-6NPSF	1/2x14	3/8x18	0.88	0.88	1.56
8NFM-SMC-8NPSF	1/2x14	1/2x14	0.94	1	1.61
8NFM-SMC-12NPSF	1/2x14	3/4x14	1.13	1.25	1.73
12NFM-SMC-6NPSF	3/4x14	3/8x18	1.13	0.88	1.57
12NFM-SMC-8NPSF	3/4x14	1/2x14	1.13	1	1.62
12NFM-SMC-12NPSF	3/4x14	3/4x14	1.13	1.25	1.73
12NFM-SMC-16NPSF	3/4x14	1-11x1/2	1.5	1.5	1.81
16NFM-SMC-8NPSF	1-11x1/2	1/2x14	1.38	1	1.85
16NFM-SMC-12NPSF	1-11x1/2	3/4x14	1.38	1.25	1.98
16NFM-SMC-16NPSF	1-11x1/2	1-11x1/2	1.5	1.5	2

Swivel Female Connector

Swivel Female Connector

NPTF x Swivel NPS Thread

SAE (140131)



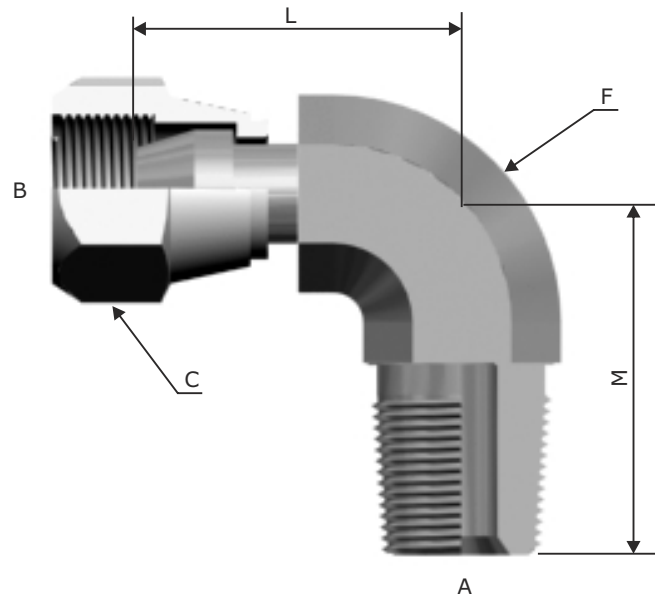
Part No	DIMENSIONS					
	A	B	F	C	L	
	NPT Thread	NPT Thread	Hex Size	Hex Size (Swivel)	inch	
	inch	NPTF	NPSM	inch	inch	inch
2NF-SFC-2NFSJ	1/8x27	1/8x27	0.56	0.56	0.88	
2NF-SFC-4NFSJ	1/8x27	1/4x18	0.56	0.69	1.25	
4NF-SFC-2NFSJ	1/4x18	1/8x27	0.69	0.56	1.19	
4NF-SFC-4NFSJ	1/4x18	1/4x18	0.69	0.69	1.25	
4NF-SFC-6NFSJ	1/4x18	3/8x18	0.69	0.88	1.25	
6NF-SFC-4NFSJ	3/8x18	1/4x18	0.88	0.69	1.31	
6NF-SFC-6NFSJ	3/8x18	3/8x18	0.88	0.88	1.31	
6NF-SFC-8NFSJ	3/8x18	1/2x14	0.88	1	1.5	
8NF-SFC-4NFSJ	1/2x14	1/4x18	1	0.69	1.56	
8NF-SFC-6NFSJ	1/2x14	3/8x18	1	0.88	1.45	
8NF-SFC-8NFSJ	1/2x14	1/2x14	1	1	1.5	
12NF-SFC-8NFSJ	3/4x14	1/2x14	1.25	1	1.5	
12NF-SFC-12NFSJ	3/4x14	3/4x14	1.25	1.25	1.63	
12NF-SFC-16NFSJ	3/4x14	1-11x1/2	1.25	1.5	1.92	
16NF-SFC-12NFSJ	1-11x1/2	3/4x14	1.5	1.25	1.9	
16NF-SFC-16NFSJ	1-11x1/2	1-11x1/2	1.5	1.5	1.92	

Swivel Elbow Connector

Swivel Elbow Connector

NPTF (M) x Swivel NPS Thread

SAE (140230)



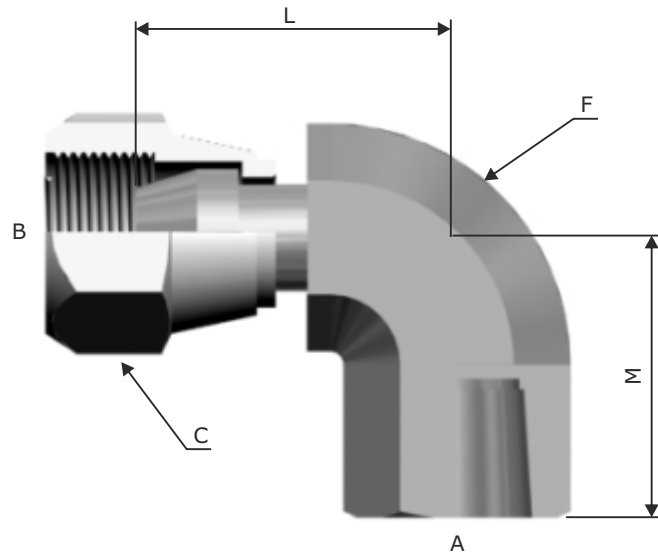
Part No	DIMENSIONS					
	A	B	C	F	L	M
	NPT Thread NPTF(M)	NPT Thread NPSM	Hex Size (Swivel) inch	Hex Size inch	inch	inch
2NFM-SEC-2NPSF	1/8x27	1/8x27	0.56	0.56	0.94	0.7
2NFM-SEC-4NPSF	1/8x27	1/4x18	0.69	0.69	1.06	0.79
4NFM-SEC-2NPSF	1/4x18	1/8x27	0.56	0.69	1.19	0.76
4NFM-SEC-4NPSF	1/4x18	1/4x18	0.69	0.69	1.19	0.79
4NFM-SEC-6NPSF	1/4x18	3/8x18	0.88	0.88	1.5	0.95
4NFM-SEC-8NPSF	1/4x18	1/2x14	1	1	1.56	1
6NFM-SEC-4NPSF	3/8x18	1/4x18	0.69	0.88	1.5	0.88
6NFM-SEC-6NPSF	3/8x18	3/8x18	0.88	0.88	1.5	0.95
6NFM-SEC-8NPSF	3/8x18	1/2x14	1	1	1.56	1
8NFM-SEC-4NPSF	1/2x14	1/4x18	0.69	1	1.81	0.94
8NFM-SEC-6NPSF	1/2x14	3/8x18	0.88	1	1.81	1.01
8NFM-SEC-8NPSF	1/2x14	1/2x14	1	1	1.81	1
8NFM-SEC-12NPSF	1/2x14	3/4x14	1.25	1.25	2	1.26
12NFM-SEC-6NPSF	3/4x14	3/8x18	0.88	1.25	2	1.13
12NFM-SEC-8NPSF	3/4x14	1/2x14	1	1.25	2	1.13
12NFM-SEC-12NPSF	3/4x14	3/4x14	1.25	1.25	2	1.26
12NFM-SEC-16NPSF	3/4x14	1-11x1/2	1.5	1.5	2.19	1.4
16NFM-SEC-8NPSF	1-11x1/2	1/2x14	1	1.5	2.38	1.25
16NFM-SEC-12NPSF	1-11x1/2	3/4x14	1.25	1.5	2.38	1.39
16NFM-SEC-16NPSF	1-11x1/2	1-11x1/2	1.5	1.5	2.38	1.4

Swivel Elbow Connector - Female

Swivel Elbow Connector - Female

NPTF x Swivel NPS Thread

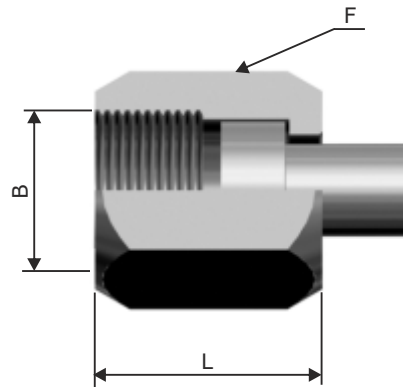
SAE (140331)



Part No	DIMENSIONS					
	A	B	C	F	L	M
	NPT Thread	NPT Thread	Hex Size	Hex Size		
inch	NPTF	NPSM	(Swivel)	inch	inch	inch
2NF-SECF-2NFSJ	1/8x27	1/8x27	0.56	0.56	0.69	0.7
4NF-SECF-2NFSJ	1/4x18	1/8x27	0.56	0.69	0.94	0.76
4NF-SECF-4NFSJ	1/4x18	1/4x18	0.69	0.69	0.94	0.79
4NF-SECF-6NFSJ	1/4x18	3/8x18	0.88	0.88	1.06	0.94
6NF-SECF-4NFSJ	3/8x18	1/4x18	0.69	0.88	1.06	0.88
6NF-SECF-6NFSJ	3/8x18	3/8x18	0.88	0.88	1.06	0.94
6NF-SECF-8NFSJ	3/8x18	1/2x14	1	1	1.25	1
8NF-SECF-4NFSJ	1/2x14	1/4x18	0.69	1	1.25	0.94
8NF-SECF-6NFSJ	1/2x14	3/8x18	0.88	1	1.25	1.01
8NF-SECF-8NFSJ	1/2x14	1/2x14	1	1	1.25	1
8NF-SECF-12NFSJ	1/2x14	3/4x14	1.25	1.25	1.44	1.26
12NF-SECF-8NFSJ	3/4x14	1/2x14	1	1.25	1.44	1.13
12NF-SECF-12NFSJ	3/4x14	3/4x14	1.25	1.25	1.44	1.26
12NF-SECF-16NFSJ	3/4x14	1-11x1/2	1.5	1.5	1.75	1.4
16NF-SECF-12NFSJ	1-11x1/2	3/4x14	1.25	1.5	1.75	1.39
16NF-SECF-16NFSJ	1-11x1/2	1-11x1/2	1.5	1.5	1.75	1.4

Tube Cap

JIC Threads
For Imperial Tubing



Part No	DIMENSIONS			
	T Tube OD	B JIC Thread	F Wrench Pad	L
inch	inch	UNF	inch	inch
2J-TC	1/8	5/16x24	3/8	0.55
3J-TC	3/16	3/8x24	7/16	0.562
4J-TC	1/4	7/16x20	9/16	0.594
5J-TC	5/16	1/2x20	5/8	0.609
6J-TC	3/8	9/16x18	11/16	0.625
8J-TC	1/2	3/4x16	7/8	0.75
10J-TC	5/8	7/8x14	1	0.844
12J-TC	3/4	1-1/16x12	1-1/4	0.906
14J-TC	7/8	1-3/16x12	1-3/8	0.969
16J-TC	1	1-5/16x12	1-1/2	1.016

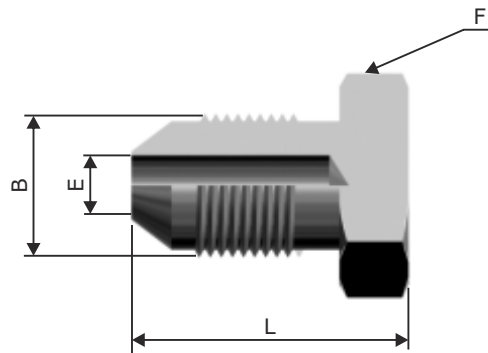
Tube Cap

JIC Threads
For Metric Tubing

Part No	DIMENSIONS			
	T Tube OD	B JIC Thread	F Wrench Pad	L
mm	mm	UNF	inch	mm
6MJ-TC	6	7/16x20	9/16	15.1
8MJ-TC	8	1/2x20	5/8	15.5
10MJ-TC	10	9/16x18	11/16	15.9
12MJ-TC	12	3/4x16	7/8	19
16MJ-TC	16	7/8x14	1	21.4
18MJ-TC	18	1-1/16x12	1-1/4	23
20MJ-TC	20	1-3/16x12	1-3/8	24.6
25MJ-TC	25	1-5/16x12	1-1/2	25.8

Tube Plug

JIC Threads
For Imperial Tubing



Part No	DIMENSIONS				
	T	B	E	F	L
	Tube OD	JIC Thread	I.D	Wrench Pad	
	inch	UNF	inch	inch	inch
2J-TP	1/8	5/16x24	0.062	7/16	0.7
3J-TP	3/16	3/8x24	0.125	1/2	0.73
4J-TP	1/4	7/16x20	0.172	1/2	0.8
5J-TP	5/16	1/2x20	0.234	9/16	0.8
6J-TP	3/8	9/16x18	0.297	5/8	0.84
8J-TP	1/2	3/4x16	0.391	13/16	0.94
10J-TP	5/8	7/8x14	0.484	15/16	1.1
12J-TP	3/4	1-1/16x12	0.609	1-1/8	1.28
14J-TP	7/8	1-3/16x12	0.719	1-1/4	1.31
16J-TP	1	1-5/16x12	0.844	1-3/8	1.33

Tube Plug

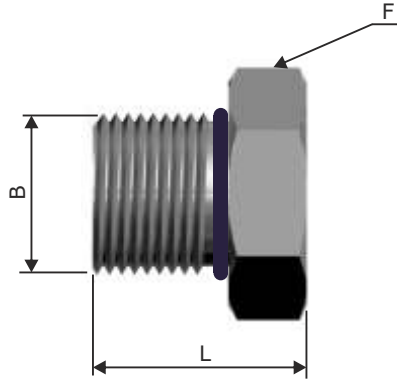
JIC Threads
For Metric Tubing

Part No	DIMENSIONS				
	T	B	E	F	L
	Tube OD	JIC Thread	I.D	Wrench Pad	
	mm	UNF	mm	inch	mm
6MJ-TP	6	7/16x20	4.4	1/2	20.3
8MJ-TP	8	1/2x20	6	9/16	20.3
10MJ-TP	10	9/16x18	7.5	5/8	21.3
12MJ-TP	12	3/4x16	9.9	13/16	23.9
16MJ-TP	16	7/8x14	12.3	15/16	27.9
18MJ-TP	18	1-1/16x12	15.5	1-1/8	32.5
20MJ-TP	20	1-3/16x12	18.3	1-1/4	33.3
25MJ-TP	25	1-5/16x12	21.5	1-3/8	33.8

Hex Male Plug

Hex Male Plug

JIC Threads
For Imperial Tubing
SAE (070109 A)



Part No	DIMENSIONS				
	T	B	C	D	L
	Tube OD inch	JIC Thread UNF	Hex Size inch	Drill (Optional) inch	Length inch
2-HMP-OR	1/8	5/16x24	7/16	0.093	0.6
3-HMP-OR	3/16	3/8x24	1/2	0.125	0.6
4-HMP-OR	1/4	7/16x20	9/16	0.203	0.67
5-HMP-OR	5/16	1/2x20	5/8	0.234	0.67
6-HMP-OR	3/8	9/16x18	11/16	0.297	0.73
8-HMP-OR	1/2	3/4x16	7/8	0.422	0.8
10-HMP-OR	5/8	7/8x14	1	0.5	0.93
12-HMP-OR	3/4	1-1/16x12	1 1/4	0.656	1.09
14-HMP-OR	7/8	1-3/16x12	1 3/8	0.718	1.09
16-HMP-OR	1	1-5/16x12	1 1/2	0.875	1.12

Hex Male Plug

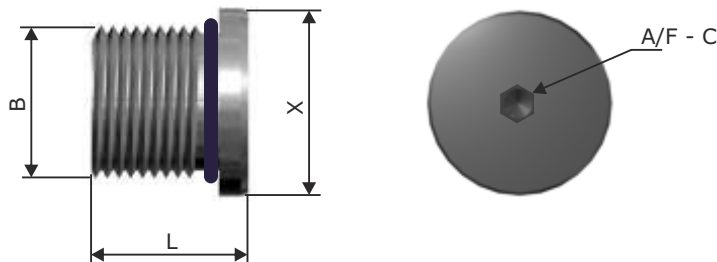
JIC Threads
For Metric Tubing
SAE (070109 A)

Part No	DIMENSIONS				
	T	B	C	D	L
	Tube OD mm	JIC Thread UNF	Hex Size inch	Drill (Optional) mm	Length mm
3M-HMP-OR	3	5/16x24	7/16	2.3622	15.24
5M-HMP-OR	5	3/8x24	1/2	3.175	15.24
6M-HMP-OR	6	7/16x20	9/16	5.1562	17.018
8M-HMP-OR	8	1/2x20	5/8	5.9436	17.018
10M-HMP-OR	10	9/16x18	11/16	7.5438	18.542
12M-HMP-OR	12	3/4x16	7/8	10.7188	20.32
16M-HMP-OR	16	7/8x14	1	12.7	23.622
19M-HMP-OR	19	1-1/16x12	1 1/4	16.6624	27.686
22M-HMP-OR	22	1-3/16x12	1 3/8	18.2372	27.686
25M-HMP-OR	25	1-5/16x12	1 1/2	22.225	28.448

Socket Male Plug

Socket Male Plug

JIC Threads
For Imperial Tubing
SAE (070109 B)



Part No	DIMENSIONS				
	T	B	X	C	L
	Tube OD	JIC Thread	Dia	Hex Socket	Length
inch	inch	UNF	inch	inch	inch
2-HSMP-OR	1/8	5/16x24	7/16	0.125	0.4
3-HSMP-OR	3/16	3/8x24	1/2	0.125	0.4
4-HSMP-OR	1/4	7/16x20	9/16	0.188	0.47
5-HSMP-OR	5/16	1/2x20	5/8	0.188	0.47
6-HSMP-OR	3/8	9/16x18	11/16	0.25	0.5
8-HSMP-OR	1/2	3/4x16	7/8	0.313	0.58
10-HSMP-OR	5/8	7/8x14	1	0.375	0.65
12-HSMP-OR	3/4	1-1/16x12	1 1/4	0.563	0.77
14-HSMP-OR	7/8	1-3/16x12	1 3/8	0.563	0.77
16-HSMP-OR	1	1-5/16x12	1 1/2	0.625	0.77

Socket Male Plug

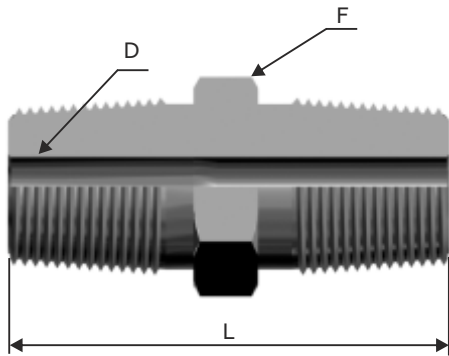
JIC Threads
For Metric Tubing
SAE (070109 B)

Part No	DIMENSIONS				
	T	B	X	C	L
	Tube OD	JIC Thread	Dia	Hex Socket	Length
mm	mm	UNF	inch	mm	mm
3M-HSMP-OR	3	5/16x24	7/16	3.175	10.16
5M-HSMP-OR	5	3/8x24	1/2	3.175	10.16
6M-HSMP-OR	6	7/16x20	9/16	4.7752	11.938
8M-HSMP-OR	8	1/2x20	5/8	4.7752	11.938
10M-HSMP-OR	10	9/16x18	11/16	6.35	12.7
12M-HSMP-OR	12	3/4x16	7/8	7.9502	14.732
16M-HSMP-OR	16	7/8x14	1	9.525	16.51
19M-HSMP-OR	19	1-1/16x12	1 1/4	14.3002	19.558
22M-HSMP-OR	25	1-3/16x12	1 3/8	14.3002	19.558
25M-HSMP-OR	25	1-5/16x12	1 1/2	15.875	19.558

Hex Nipple

NPT x NPT

SAE (140137)

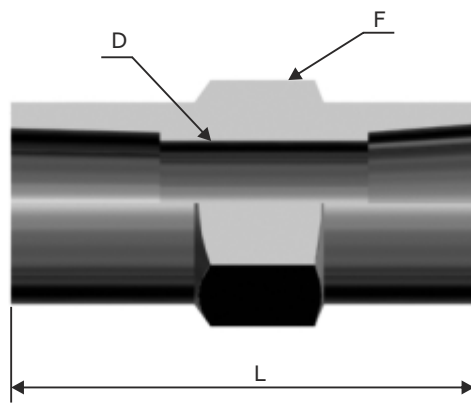


Part No	DIMENSIONS				
	A NPT Thread inch	B NPT Thread NPTF	C Hex Size inch	D Drill ID inch	L Length inch
2N-HN	1/8	1/8	7/16	0.19	1.01
4N-HN	1/4	1/4	9/16	0.28	1.43
6N-HN	3/8	3/8	23/32	0.38	1.43
8N-HN	1/2	1/2	7/8	0.47	1.84
12N-HN	3/4	3/4	1.1/16	0.62	1.84
16N-HN	1	1	1.3/8	0.88	2.32
20N-HN	1.1/4	1.1/4	1.23/32	1.1	2.36
24N-HN	1.1/2	1.1/2	1.31/32	1.32	2.76

Hex Pipe Coupling

NPT(F) x NPT(F)

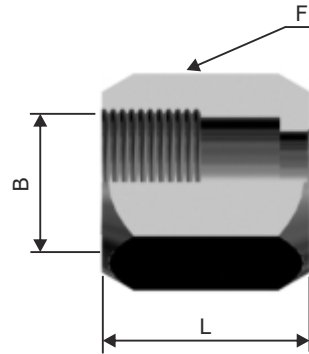
SAE (140138)



Part No	DIMENSIONS				
	A NPT Thread inch	B NPT Thread NPTF	C Hex Size inch	D Drill ID inch	L Length inch
2N-PC	1/8	1/8	5/8	0.34	0.83
4N-PC	1/4	1/4	3/4	0.45	1.19
6N-PC	3/8	3/8	7/8	0.57	1.19
8N-PC	1/2	1/2	1.1/16	0.71	1.56
12N-PC	3/4	3/4	1.1/4	0.91	1.56
16N-PC	1	1	1.11/16	1.15	2.05
20N-PC	1.1/4	1.1/4	2.5/32	1.47	2.05
24N-PC	1.1/2	1.1/2	2.3/8	1.71	2.22

JIC Nut

JIC Threads
For Imperial Tubing
SAE (070110)



Part No	DIMENSIONS			
	T Tube OD inch	B JIC Thread UNF	F Wrench Pad inch	L inch
2J-N	1/8	5/16x24	3/8	0.54
3J-N	3/16	3/8x24	7/16	0.6
4J-N	1/4	7/16x20	9/16	0.61
5J-N	5/16	1/2x20	5/8	0.67
6J-N	3/8	9/16x18	11/16	0.72
8J-N	1/2	3/4x16	7/8	0.84
10J-N	5/8	7/8x14	1	0.97
12J-N	3/4	1-1/16x12	1-1/4	1.02
14J-N	7/8	1-3/16x12	1-3/8	1.08
16J-N	1	1-5/16x12	1-1/2	1.12

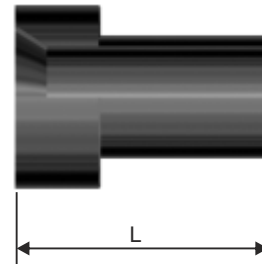
JIC Nut

JIC Threads
For Metric Tubing
SAE (070110)

Part No	DIMENSIONS			
	T Tube OD mm	B JIC Thread UNF	F Wrench Pad inch	L mm
6MJ-N	6	7/16x20	9/16	15.5
8MJ-N	8	1/2x20	5/8	17
10MJ-N	10	9/16x18	11/16	18.3
12MJ-N	12	3/4x16	7/8	21.3
16MJ-N	16	7/8x14	1	24.6
18MJ-N	18	1-1/16x12	1-1/4	25.9
20MJ-N	20	1-3/16x12	1-3/8	27.4
25MJ-N	25	1-5/16x12	1-1/2	28.4

JIC Sleeve

JIC Threads
For Imperial Tubing
SAE (070115)



Part No	DIMENSIONS	
	T	L
	Tube OD	
inch	inch	inch
2J-SL	1/8	0.34
3J-SL	3/16	0.34
4J-SL	1/4	0.41
5J-SL	5/16	0.44
6J-SL	3/8	0.5
8J-SL	1/2	0.56
10J-SL	5/8	0.66
12J-SL	3/4	0.68
14J-SL	7/8	0.76
16J-SL	1	0.78

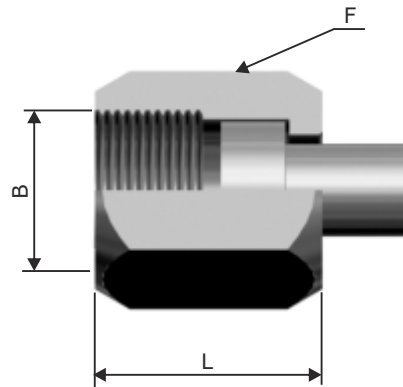
JIC Sleeve

JIC Threads
For Metric Tubing
SAE (070115)

Part No	DIMENSIONS	
	T	L
	Tube OD	
mm	mm	mm
6MJ-SL	6	10.4
8MJ-SL	8	11.2
10MJ-SL	10	12.7
12MJ-SL	12	14.2
16MJ-SL	16	16.8
18MJ-SL	18	17.3
20MJ-SL	20	19.3
25MJ-SL	25	19.8

Tube Cap

JIC Threads
For Imperial Tubing



Part No	DIMENSIONS			
	T Tube OD	B JIC Thread	F Wrench Pad	L
inch	inch	UNF	inch	inch
2J-TC	1/8	5/16x24	3/8	0.55
3J-TC	3/16	3/8x24	7/16	0.562
4J-TC	1/4	7/16x20	9/16	0.594
5J-TC	5/16	1/2x20	5/8	0.609
6J-TC	3/8	9/16x18	11/16	0.625
8J-TC	1/2	3/4x16	7/8	0.75
10J-TC	5/8	7/8x14	1	0.844
12J-TC	3/4	1-1/16x12	1-1/4	0.906
14J-TC	7/8	1-3/16x12	1-3/8	0.969
16J-TC	1	1-5/16x12	1-1/2	1.016

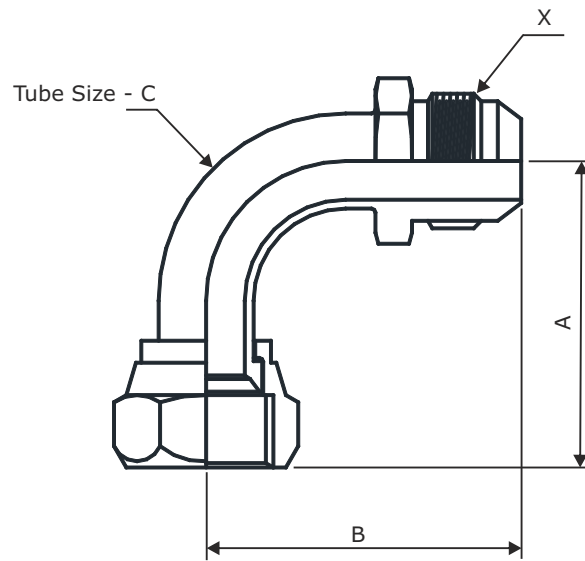
Tube Cap

JIC Threads
For Metric Tubing

Part No	DIMENSIONS			
	T Tube OD	B JIC Thread	F Wrench Pad	L
mm	mm	UNF	inch	mm
6MJ-TC	6	7/16x20	9/16	15.1
8MJ-TC	8	1/2x20	5/8	15.5
10MJ-TC	10	9/16x18	11/16	15.9
12MJ-TC	12	3/4x16	7/8	19
16MJ-TC	16	7/8x14	1	21.4
18MJ-TC	18	1-1/16x12	1-1/4	23
20MJ-TC	20	1-3/16x12	1-3/8	24.6
25MJ-TC	25	1-5/16x12	1-1/2	25.8

Tube Swivel Elbow

JIC x Swivel JIC
For Imperial Tubing



Part No	DIMENSIONS				
	T	X	A	B	C
	Tube OD	JIC Thread			
inch	mm	UNF	mm	mm	inch
4J-TSE-4SJ	1/4	7/16-20	17.3	28.5	1/4
6J-TSE-6SJ	3/8	9/16-18	21.6	33.3	3/8
8J-TSE-8SJ	1/2	3/4-16	27.7	42.2	1/2
12J-TSE-12SJ	3/4	1.1/16-12	46.2	63.2	3/4
16J-TSE-16SJ	1	1.5/16-12	60.7	70.9	1
20J-TSE-20SJ	1.1/4	1.5/8-12	69.8	79.7	1.1/4



A series of horizontal dotted lines spanning the width of the page, providing space for handwritten notes.



vipal enterprises pvt ltd

Regd. Office

302, Chandralok - A,
97 Nepeansea Road,
Mumbai 400003
Maharashtra,
India.

Manufacturing

32, 34 Blue Chip Industrial Estate No.5,
Sativali Road, Vasai East,
Thane 401208.
Maharashtra,
India.

Contact

Tel.: +91 22 32656565
Fax: +91 250 40272760
Email: sales@havi.in

Компания ВСП
107023, Россия, Москва,
Семеновская площадь, 1а, 18 этаж
+7 499 404 0080

vsp@vsp-co.org
www.vsp-co.org