



2 Valves Manifold



Instrument Manifold Valves

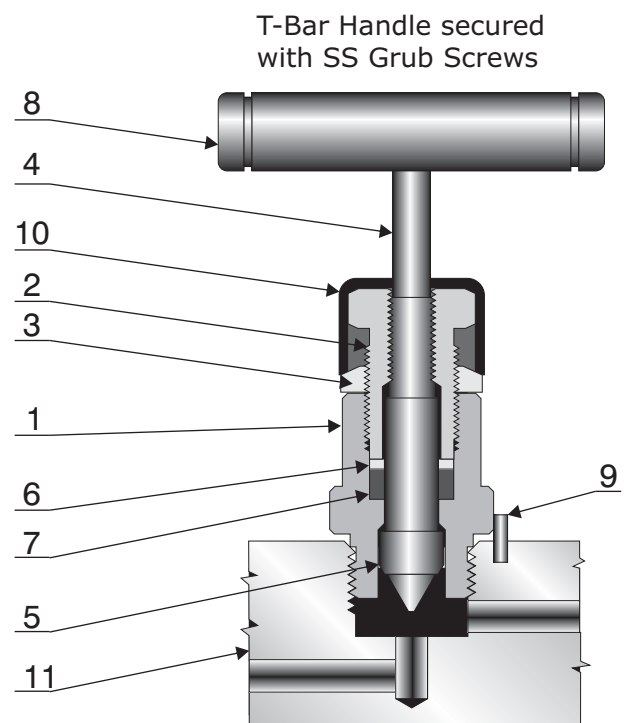
Manifold Valves of HAVI are designed and manufactured for multiple applications for Isolation, Bleed, calibration, testing of pressure instruments. These Valves comes in the configuration of 2 Valve, 3 Valve and 5 Valve. A series of Needle Valve are assembled and configured to achieve the planned flow. Various material options for Body and packings are available for different temperature applications. These valves are designed to provide an leak proof assembly and give 100% reliability.

Features

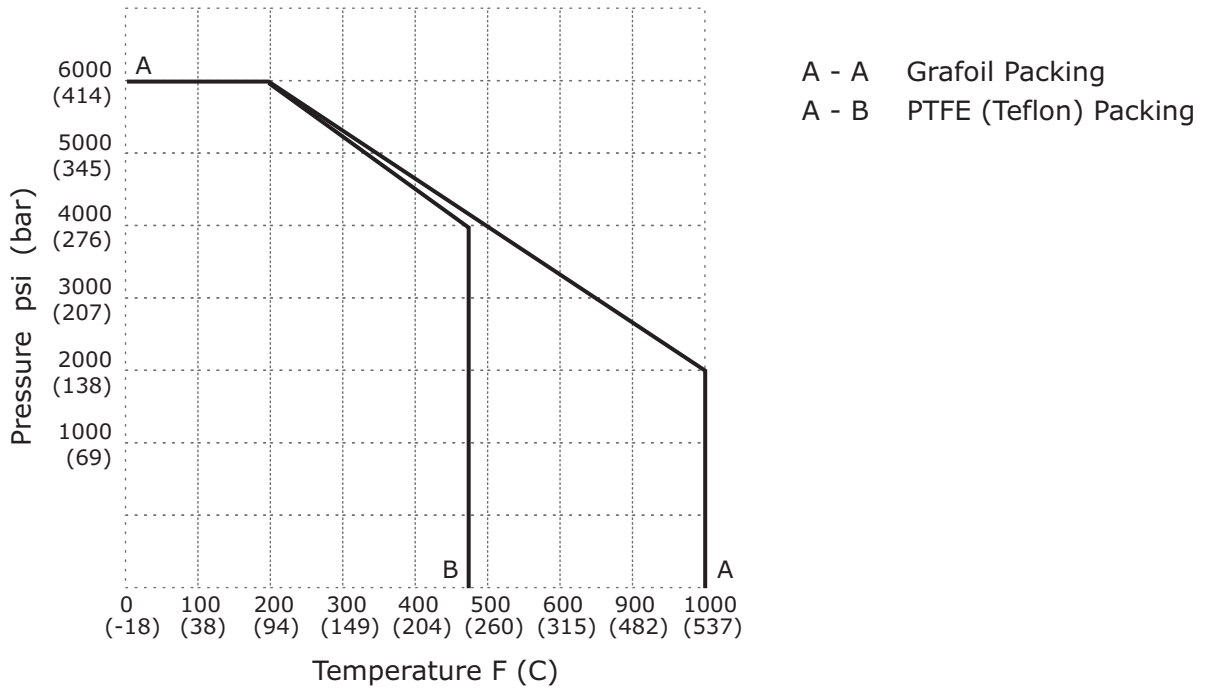
- Working Pressure of 6000 psig
- Non Rotating Vee type design to eliminate rotation between seat and tip
- Available in Straight, angle and Cross Pattern
- Stainless Steel Construction with options of packing for high temperature application
- Colour coded Dust Caps for identification of Valve type
- 100% factory Tested
- Valves tested in accordance with BS EN 12266-1 which was earlier BS 6755 Pt-1
- Metal to Metal Seating for constand compression
- Thread rolled and Burnished Stem
- Hardened Tip for extended Leak Proof Life

Bonnet Design

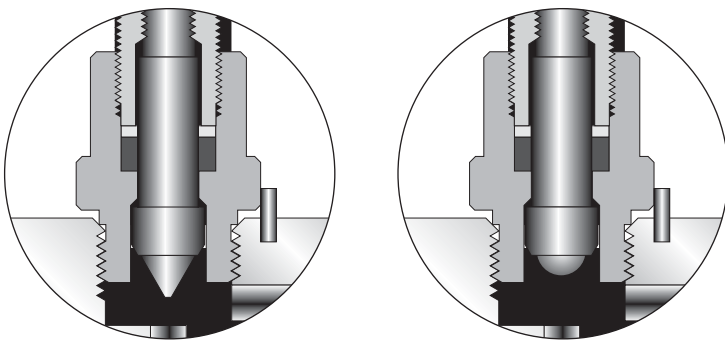
Sl. No.	Description	Qty.	M.O.C
1.	Bonnet	1.	A479-316 / A-105
2.	Pusher	1.	A479-316 / A-105
3.	Check Nut	1.	A479-316 / A-105
4.	Spindle	1.	A479-316 / A-105
5.	Spindle Tip	1.	A479-316 / A-105
6.	Washer	1.	A479-316 / A-105
7.	Packing	1.	PTFE / Graphoil
8.	T - Handle	1.	A479-316 / A-105
9.	Locking Pin	1.	A479-316 / A-105
10.	Dust Cap	1.	L.D.P.E
11.	Body	1.	A479-316 / A-105



Pressure / Temperature Rating



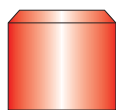
Seat options available



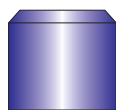
End Connection options available

- Pipe Thread Connections
- weld Connection
- Tube Fitting Connection
- Socket Weld Connection

Colour Coding of Dust Caps for Type of Valve



Red
DRAIN



Blue
ISOLATION



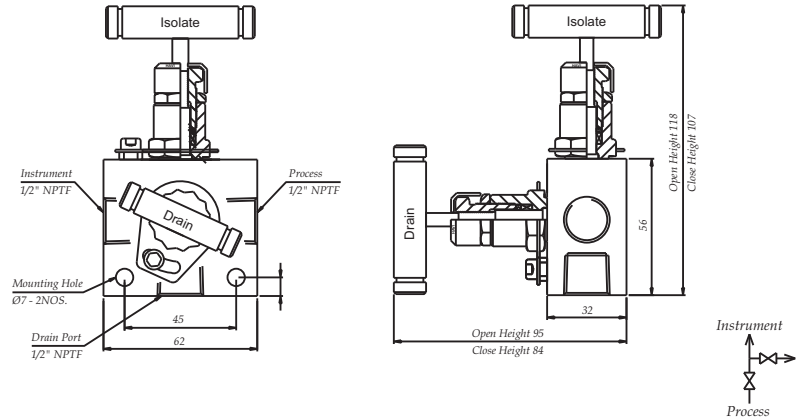
Green
EQUALISING

2 Valve Instrument Manifold Valves Seperately Mounted



Model no. SV2A Separately Mounted 2 valve manifold

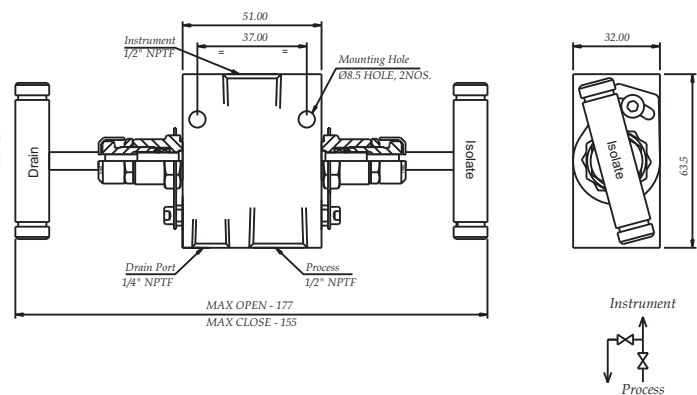
Pipe to Pipe design, Separately Mounted 2 Valve Manifold, suitable for Wall Mounting with the help of two Bolts. This Valve connects the System Impulse Lines and Transmitters having two simple configuration.



Process	Instrument	Drain
1/2" NPTF	1/2" NPTF	1/4" NPTF

Model no. SV2B Separately Mounted 2 valve manifold

Pipe to Pipe design, Separately Mounted 2 Valve Manifold, suitable for Wall Mounting with the help of two Bolts. This Valve connects the System Impulse Lines and Transmitters having two simple configuration.

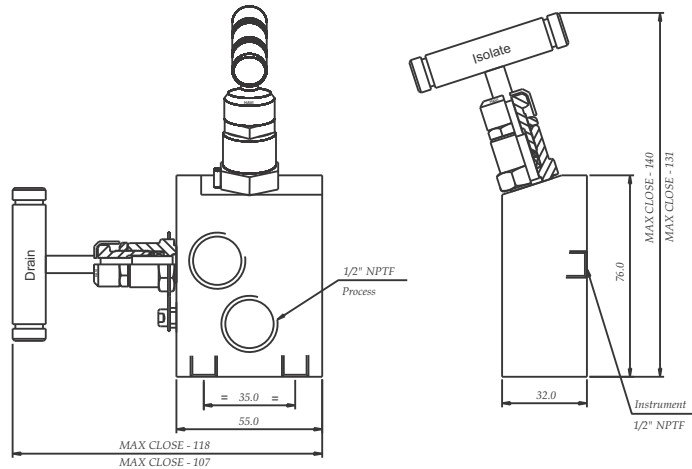


Process	Instrument	Drain
1/2" NPTF	1/2" NPTF	1/4" NPTF

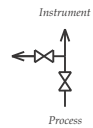
2 Valve Instrument Manifold Valves Separately Mounted

Model no. SV2C Separately Mounted 2 valve manifold

Pipe to Pipe design, Separately Mounted 2 Valve Manifold, suitable for Wall Mounting with the help of two Bolts. This Valve connects the System Impulse Lines and Transmitters having two simple configuration.

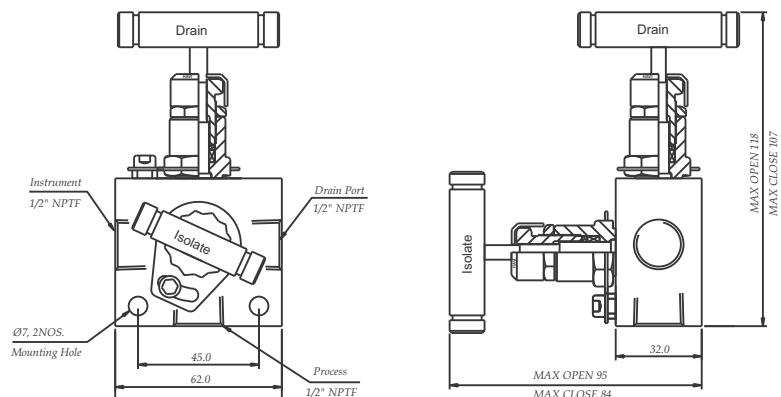


Process	Instrument	Drain
1/2" NPTF	1/2" NPTF	1/4" NPTF

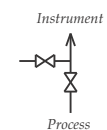


Model no. SV2D Separately Mounted 2 valve manifold

Pipe to Pipe design, Separately Mounted 2 Valve Manifold, suitable for Wall Mounting with the help of two Bolts. This Valve connects the System Impulse Lines and Transmitters having two simple configuration.



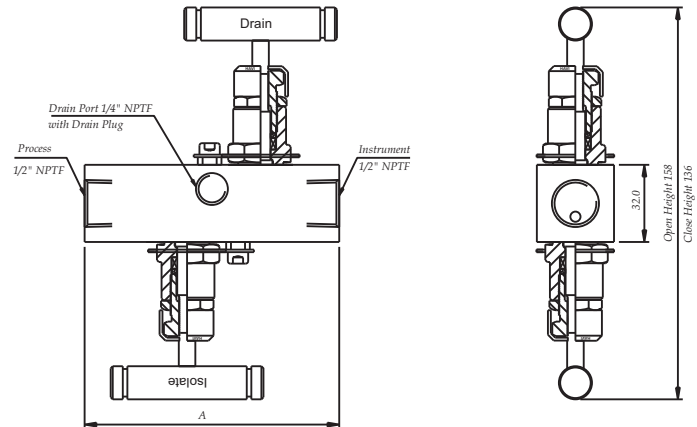
Process	Instrument	Drain
1/2" NPTF	1/2" NPTF	1/4" NPTF



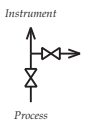
2 Valve Instrument Manifold Valves Separately Mounted

Model no. SV2E Separately Mounted 2 valve manifold

Pipe to Pipe design, Separately Mounted 2 Valve Manifold, suitable for Wall Mounting with the help of two Bolts. This Valve connects the System Impulse Lines and Transmitters having two simple configuration.

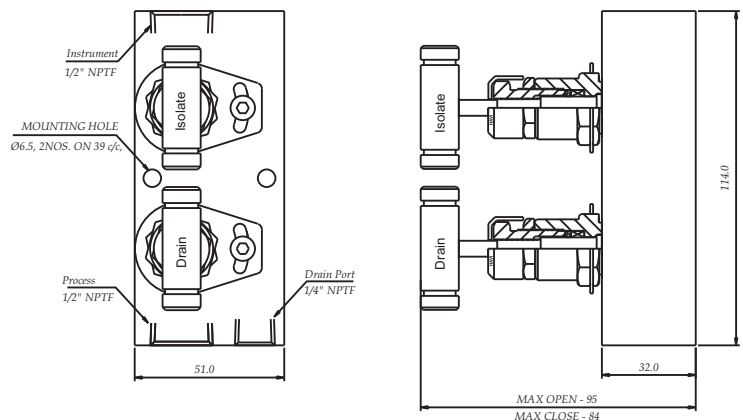


Model	Process	Instrument	Drain	A
SV2E-8F	1/2" NPTF	1/2" NPTF	1/4" NPTF	100.0
SV2E-8MF	1/2" NPTM	1/2" NPTF	1/4" NPTF	106.0
SV2E-8MM	1/2" NPTM	1/2" NPTM	1/4" NPTF	106.0

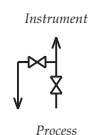


Model no. SV2F Separately Mounted 2 valve manifold

Pipe to Pipe design, Separately Mounted 2 Valve Manifold, suitable for Wall Mounting with the help of two Bolts. This Valve connects the System Impulse Lines and Transmitters having two simple configuration.



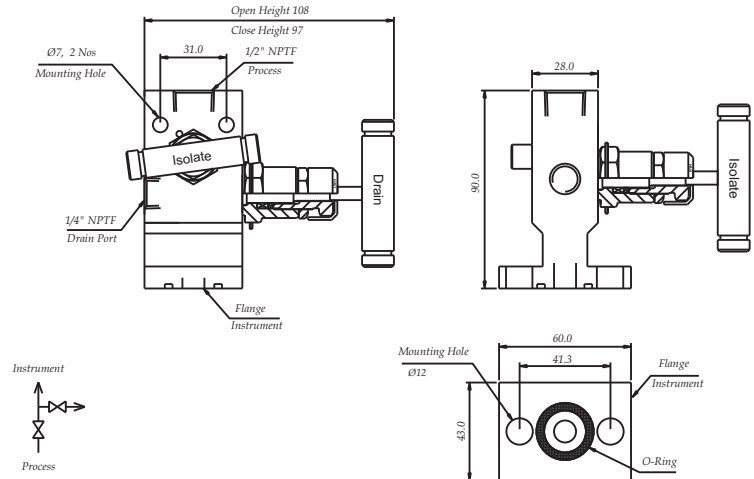
Process	Instrument	Drain
1/2" NPTF	1/2" NPTF	1/4" NPTF



2 Valve Instrument Manifold Valves Directly Mounted

Model no. TV2A Directly Mounted 2 valve manifold

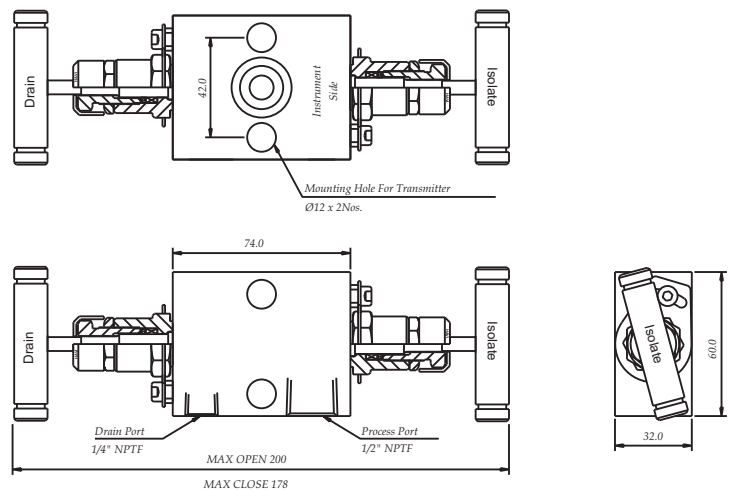
Pipe to Flange design, Directly Mounted 2 Valve Manifold. This Valve connects the System Impulse Lines and Transmitters having two simple configuration.



Process	Instrument	Drain
1/2" NPTF	Flange	1/4" NPTF

Model no. TV2B Directly Mounted 2 valve manifold

Pipe to Flange design, Directly Mounted 2 Valve Manifold. This Valve connects the System Impulse Lines and Transmitters having two simple configuration.



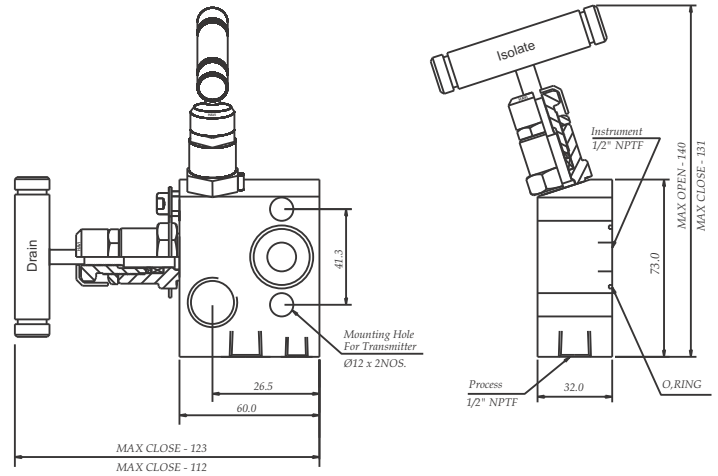
Process	Instrument	Drain
1/2" NPTF	Flange	1/4" NPTF

2 Valve Instrument Manifold Valves Directly Mounted



Model no. TV2C Directly Mounted 2 valve manifold

Pipe to Flange design, Directly Mounted 2 Valve Manifold. This Valve connects the System Impulse Lines and Transmitters having two simple configuration.



Process	Instrument	Drain
1/2" NPTF	Flange	1/4" NPTF



vipal enterprises pvt. ltd.

Registered Office:

302, Chandralok - A,
97, Nepeansea Road,
Mumbai 400006.
India
Tel.: +91 22 32656565
Email: sales@havi.in

Works:

32, 34, Blue Chip No.5 Industrial Estate,
Opp Professional Courier,
Sativali Road, Vasai (East),
Thane 401208, Maharashtra,
India
Tel.: +91 22 32656565
Fax: +91 250 3027271
Email: sales@havi.in

Website: www.havi.in

Компания ВСП

107023, Россия, Москва,
Семеновская площадь, 1а, 18 этаж
+7 499 404 0080
vsp@vsp-co.org

Website: www.vsp-co.org