



3 Valves Manifold



Instrument Manifold Valves

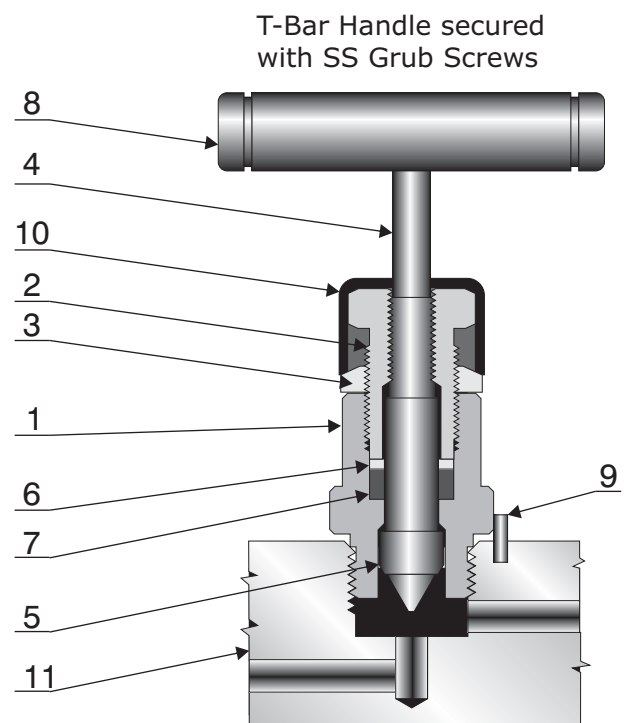
Manifold Valves of HAVI are designed and manufactured for multiple applications for Isolation, Bleed, calibration, testing of pressure instruments. These Valves comes in the configuration of 2 Valve, 3 Valve and 5 Valve. A series of Needle Valve are assembled and configured to achieve the planned flow. Various material options for Body and packings are available for different temperature applications. These valves are designed to provide an leak proof assembly and give 100% reliability.

Features

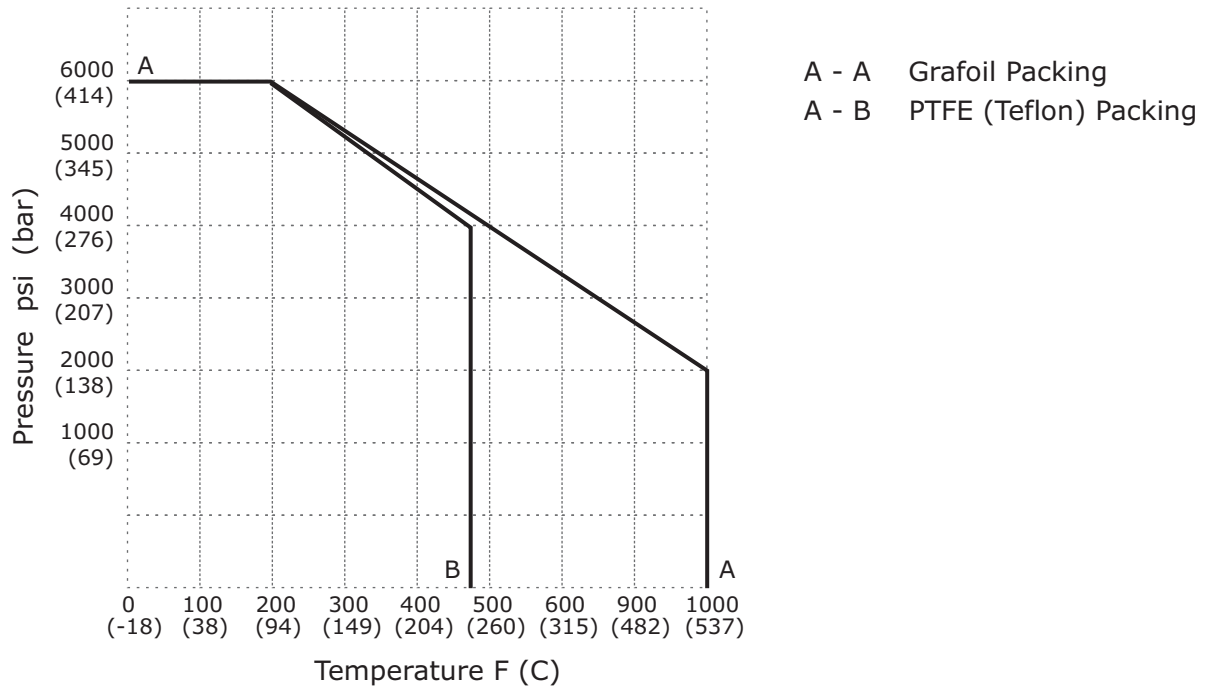
- Working Pressure of 6000 psig
- Non Rotating Vee type design to eliminate rotation between seat and tip
- Available in Straight, angle and Cross Pattern
- Stainless Steel Construction with options of packing for high temperature application
- Colour coded Dust Caps for identification of Valve type
- 100% factory Tested
- Valves tested in accordance with BS EN 12266-1 which was earlier BS 6755 Pt-1
- Metal to Metal Seating for constand compression
- Thread rolled and Burnished Stem
- Hardened Tip for extended Leak Proof Life

Bonnet Design

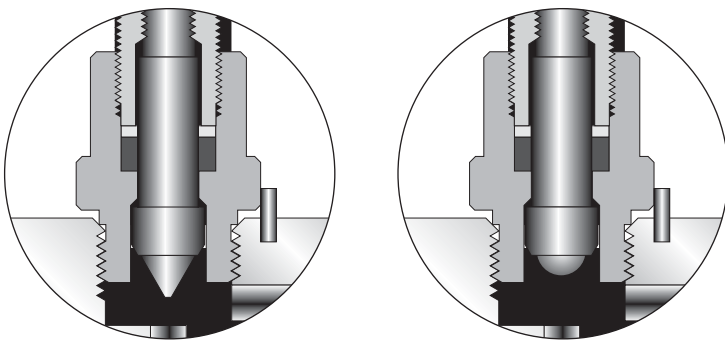
Sl. No.	Description	Qty.	M.O.C
1.	Bonnet	1.	A479-316 / A-105
2.	Pusher	1.	A479-316 / A-105
3.	Check Nut	1.	A479-316 / A-105
4.	Spindle	1.	A479-316 / A-105
5.	Spindle Tip	1.	A479-316 / A-105
6.	Washer	1.	A479-316 / A-105
7.	Packing	1.	PTFE / Graphoil
8.	T - Handle	1.	A479-316 / A-105
9.	Locking Pin	1.	A479-316 / A-105
10.	Dust Cap	1.	L.D.P.E
11.	Body	1.	A479-316 / A-105



Pressure / Temperature Rating



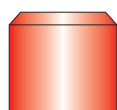
Seat options available



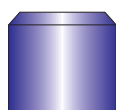
End Connection options available

- Pipe Thread Connections
- weld Connection
- Tube Fitting Connection
- Socket Weld Connection

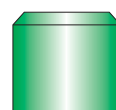
Colour Coding of Dust Caps for Type of Valve



Red
DRAIN



Blue
ISOLATION

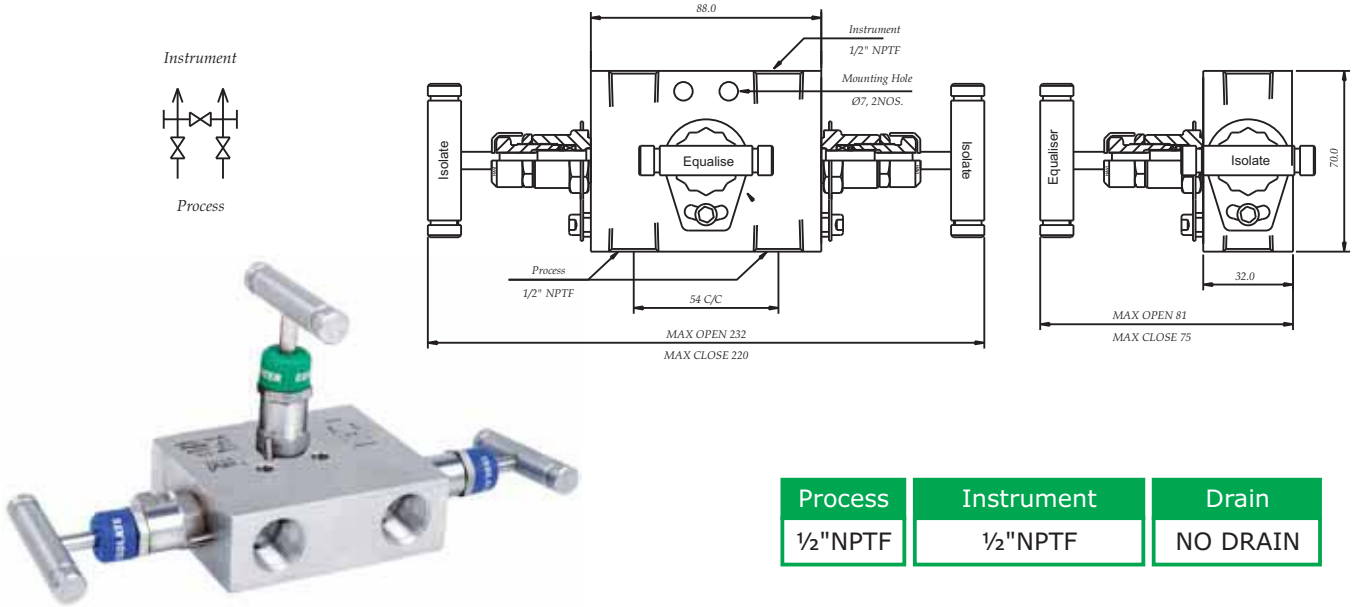


Green
EQUALISING

3 Valve Instrument Manifold Valves Seperately Mounted

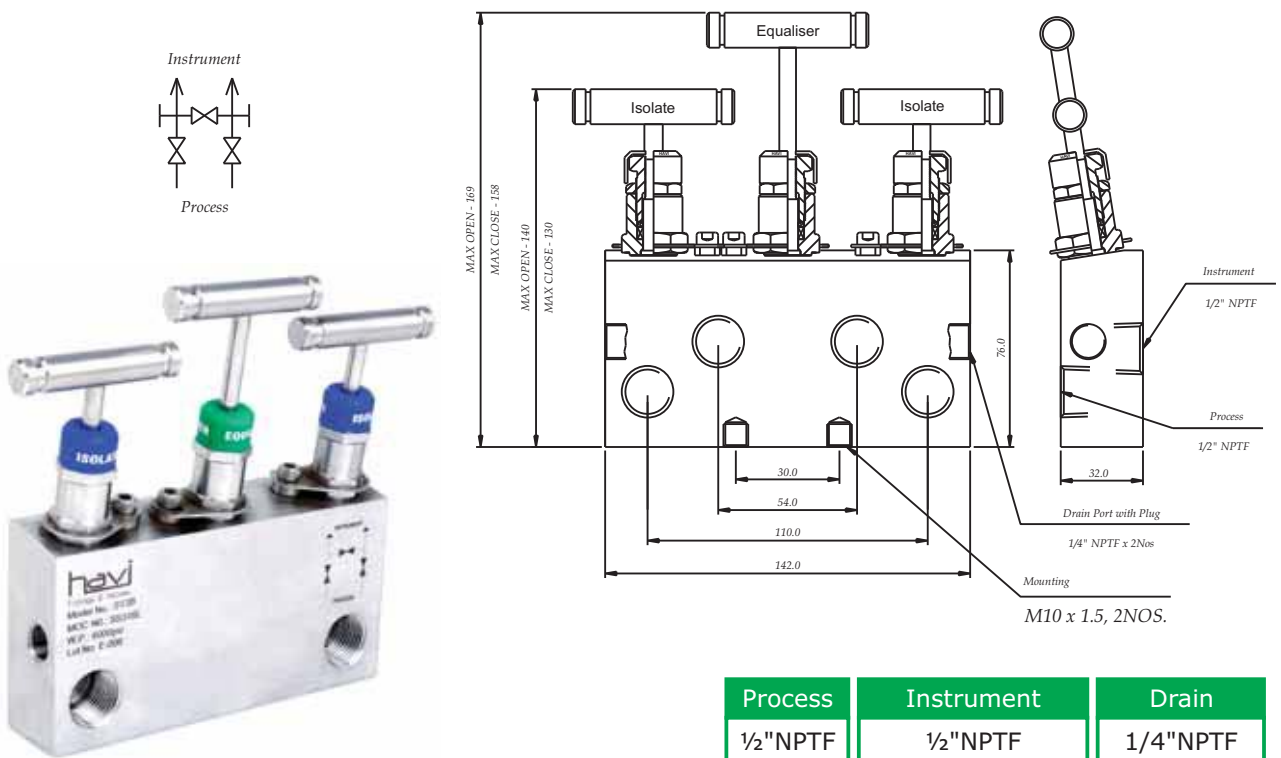
Model no. SV3A Separately Mounted 3 valve manifold

Pipe to Pipe design, Separately Mounted 3 Valve Manifold. This Valve has got 1/2"NPT Female connections at a center distance of 54mm. It has got one Equalise Valve and 2 Isolate Valves. This does not have Drain port.



Model no. SV3B Separately Mounted 3 valve manifold

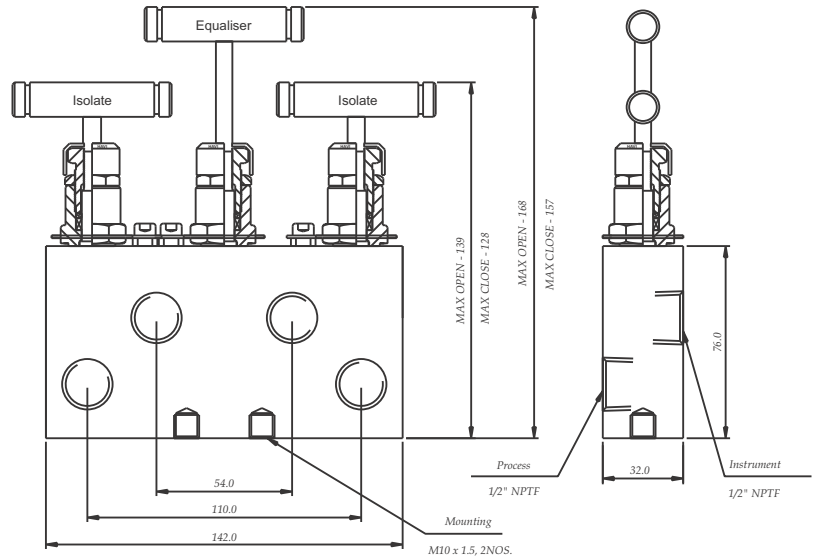
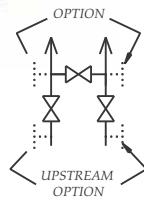
Pipe to Pipe design, Separately Mounted 3 Valve Manifold. This Valve has got 1/2"NPT Female connections at a center distance of 54mm. It has got one Equalise Valve and 2 Isolate Valves. This Valve has Drain port that comes in plugged condition.



3 Valve Instrument Manifold Valves Seperately Mounted

Model no. SV3C Separately Mounted 3 valve manifold

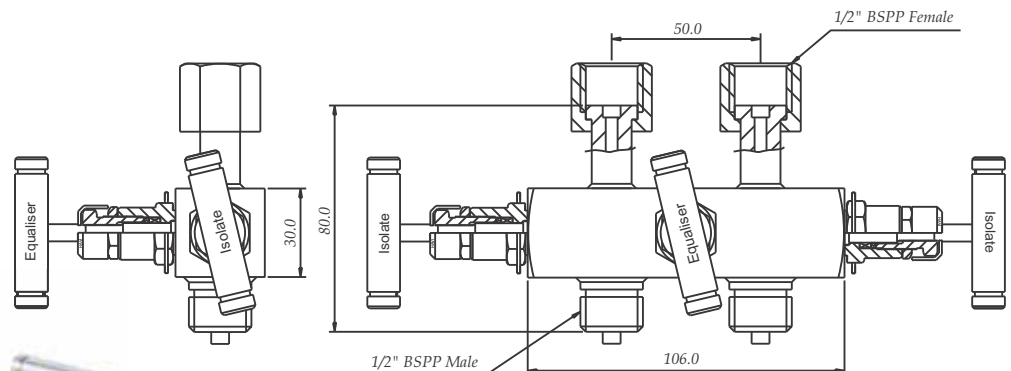
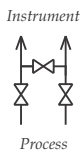
Pipe to Pipe design, Separately Mounted 3 Valve Manifold. This Valve has got 1/2"NPT Female connections at a center distance of 54mm. It has got one Equalise Valve and 2 Isolate Valves. This does not have Drain port.



Process	Instrument	Drain
1/2"NPTF	1/2"NPTF	NO DRAIN

Model no. SV3D Separately Mounted 3 valve manifold

Pipe to Pipe design, Separately Mounted 3 Valve Manifold. This Valve has got 1/2" Female connections . It has got one Equalise Valve and 2 Isolate Valves. This does not have Drain port.

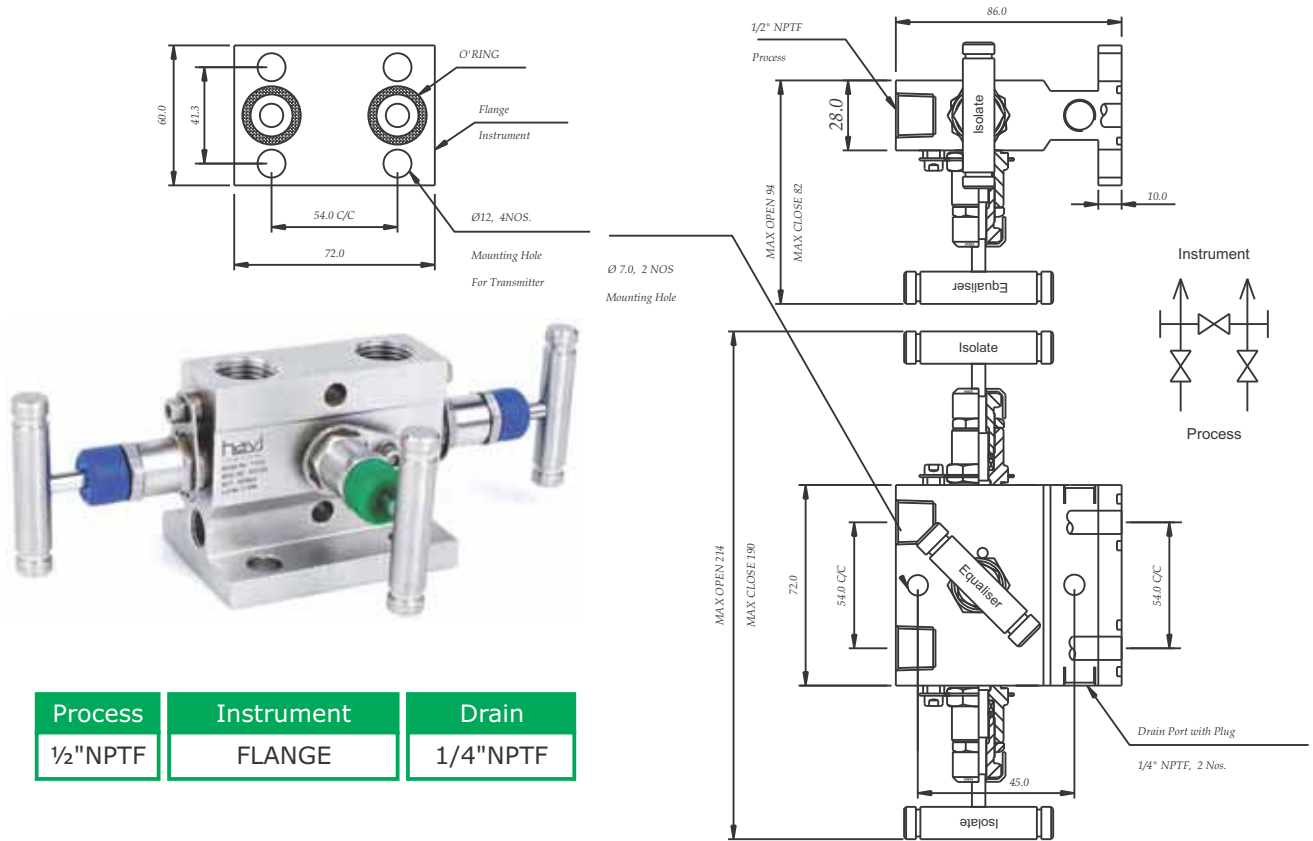


Process	Instrument	Drain
1/2"ISOPM	1/2"ISOPF-Revolving	NO DRAIN
1/2"NPTM	1/2"NPTF	NO DRAIN

3 Valve Instrument Manifold Valves Directly Mounted

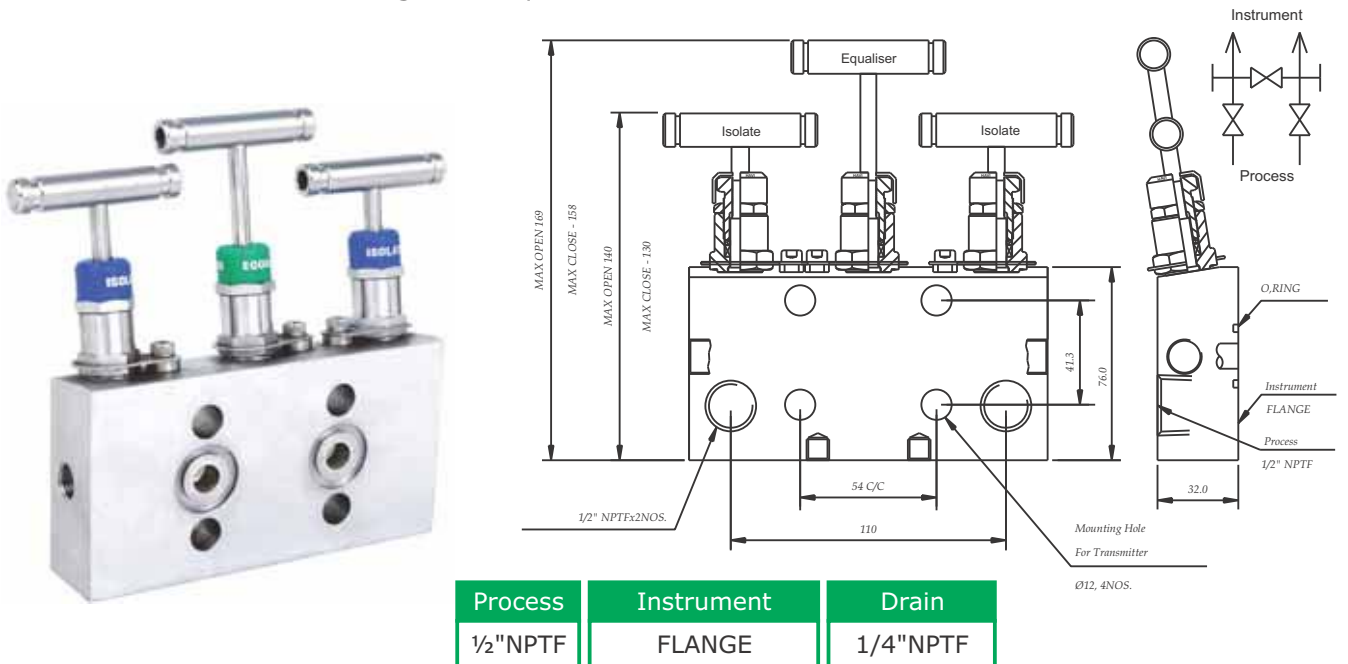
Model no. TV3A Directly Mounted 3 valve manifold

Flange to Pipe design, Directly Mounted 3 Valve Manifold. This Valve has got 1/2"NPT female Connections at a centre distance of 54mm. It has got one equaliser valve and two Isolate Valve.



Model no. TV3B Directly Mounted 3 valve manifold

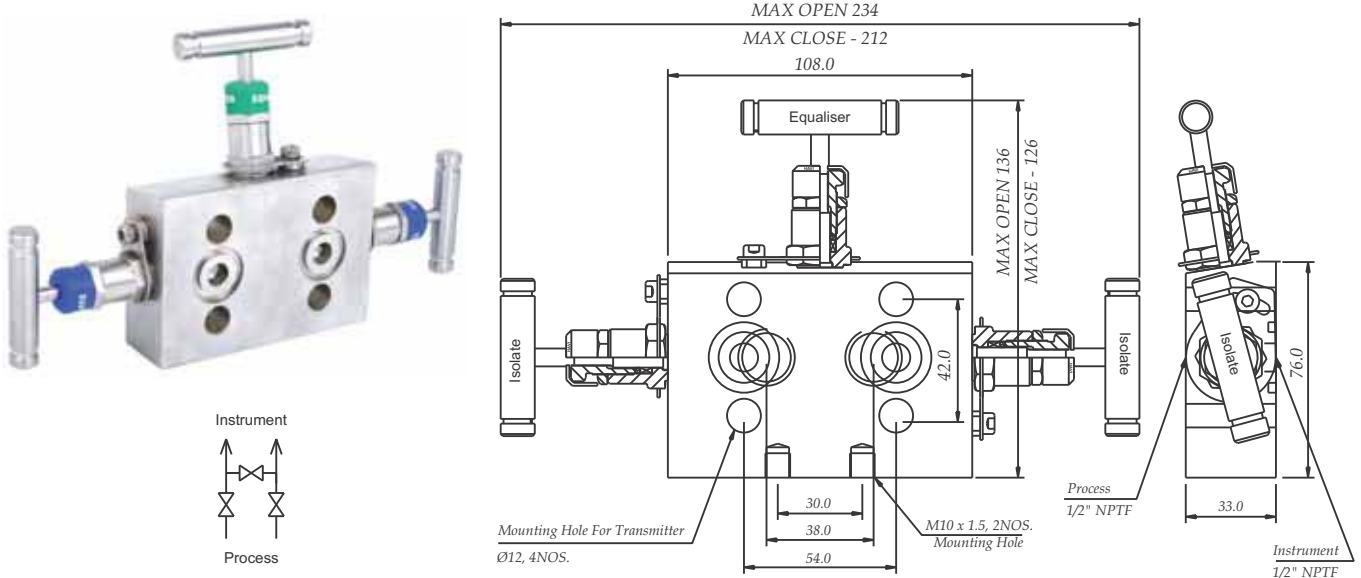
Flange to Pipe design, Directly Mounted 3 Valve Manifold. This Valve has got 1/2"NPT female Connections at a centre distance of 54mm. It has got one equaliser valve and two Isolate Valve.



3 Valve Instrument Manifold Valves Directly Mounted

Model no. TV3C Directly Mounted 3 valve manifold

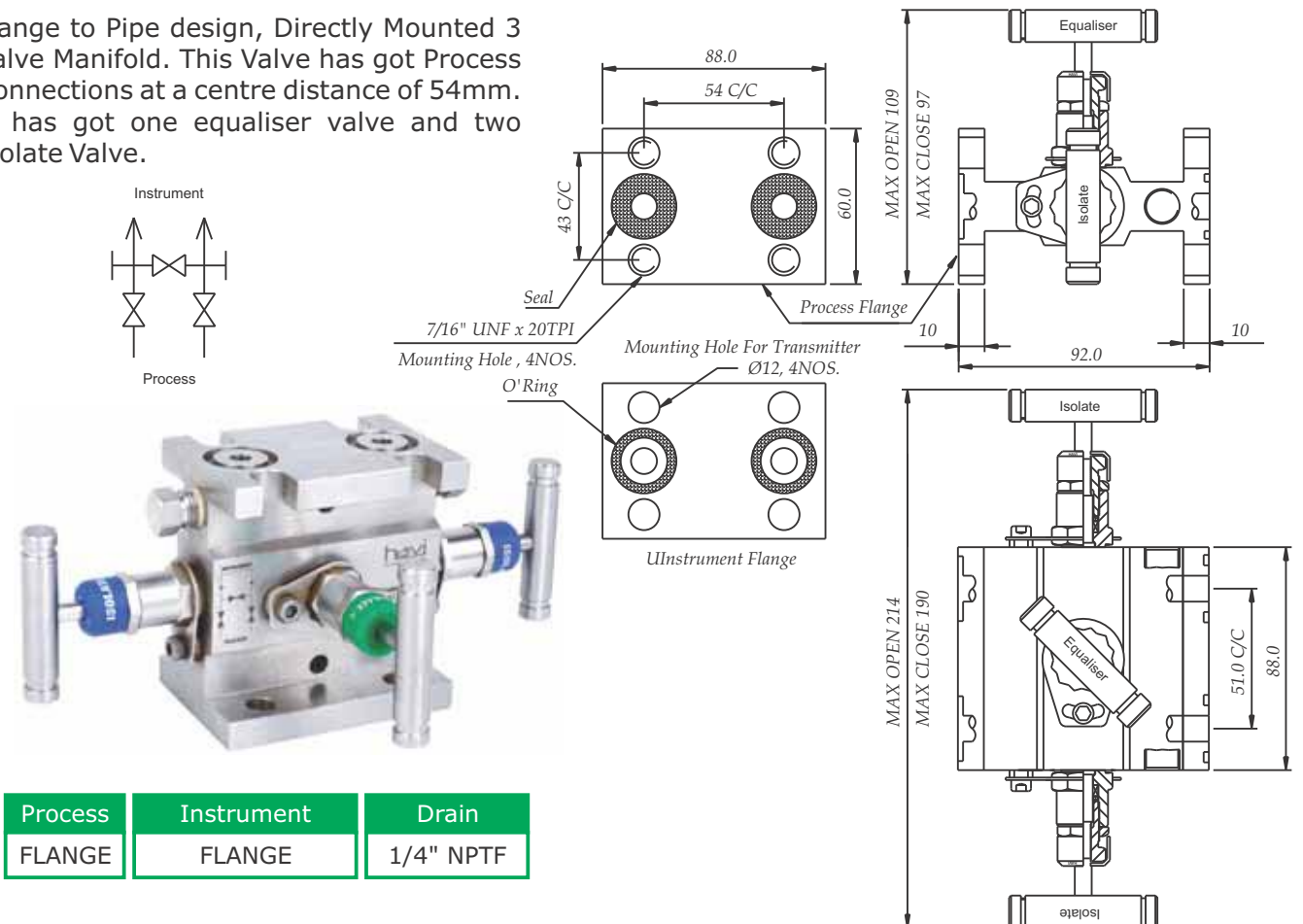
Flange to Pipe design, Directly Mounted 3 Valve Manifold. This Valve has got 1/2"NPT female Connections at a centre distance of 54mm. It has got one equaliser valve and two Isolate Valve.



Process	Instrument	Drain
1/2"NPTF	FLANGE	1/4"NPTF

Model no. TV3D Directly Mounted 3 valve manifold

Flange to Pipe design, Directly Mounted 3 Valve Manifold. This Valve has got Process Connections at a centre distance of 54mm. It has got one equaliser valve and two Isolate Valve.



Process	Instrument	Drain
FLANGE	FLANGE	1/4" NPTF



vipal enterprises pvt. ltd.

Registered Office:

302, Chandralok - A,
97, Nepeansea Road,
Mumbai 400006.
India
Tel.: +91 22 32656565
Email: sales@havi.in

Works:

32, 34, Blue Chip No.5 Industrial Estate,
Opp Professional Courier,
Sativali Road, Vasai (East),
Thane 401208, Maharashtra,
India
Tel.: +91 22 32656565
Fax: +91 250 3027271
Email: sales@havi.in

Website: www.havi.in

Компания ВСП

107023, Россия, Москва,
Семеновская площадь, 1а, 18 этаж
+7 499 404 0080
vsp@vsp-co.org

Website: www.vsp-co.org