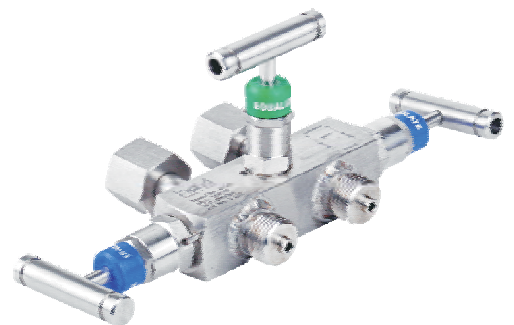




## 5 Valves Manifold



# Instrument Manifold Valves

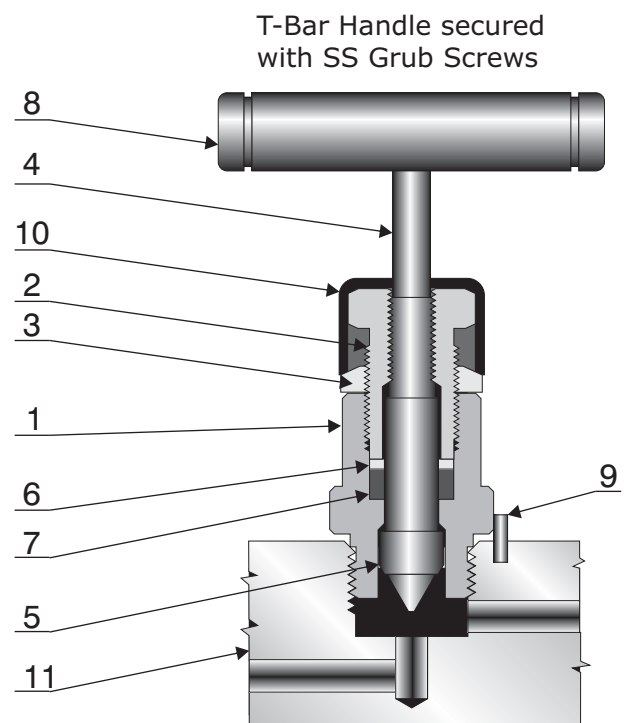
**M**anifold Valves of HAVI are designed and manufactured for multiple applications for Isolation, Bleed, calibration, testing of pressure instruments. These Valves comes in the configuration of 2 Valve, 3 Valve and 5 Valve. A series of Needle Valve are assembled and configured to achieve the planned flow. Various material options for Body and packings are available for different temperature applications. These valves are designed to provide an leak proof assembly and give 100% reliability.

## Features

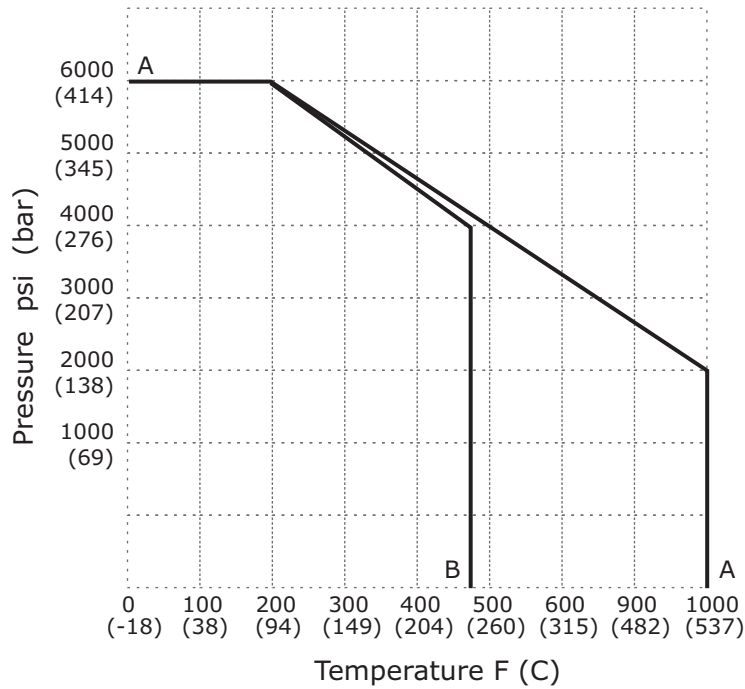
- Working Pressure of 6000 psig
- Non Rotating Vee type design to eliminate rotation between seat and tip
- Available in Straight, angle and Cross Pattern
- Stainless Steel Construction with options of packing for high temperature application
- Colour coded Dust Caps for identification of Valve type
- 100% factory Tested
- Valves tested in accordance with BS EN 12266-1 which was earlier BS 6755 Pt-1
- Metal to Metal Seating for constand compression
- Thread rolled and Burnished Stem
- Hardened Tip for extended Leak Proof Life

## Bonnet Design

Sl. No.	Description	Qty.	M.O.C
1.	Bonnet	1.	A479-316 / A-105
2.	Pusher	1.	A479-316 / A-105
3.	Check Nut	1.	A479-316 / A-105
4.	Spindle	1.	A479-316 / A-105
5.	Spindle Tip	1.	A479-316 / A-105
6.	Washer	1.	A479-316 / A-105
7.	Packing	1.	PTFE / Graphoil
8.	T - Handle	1.	A479-316 / A-105
9.	Locking Pin	1.	A479-316 / A-105
10.	Dust Cap	1.	L.D.P.E
11.	Body	1.	A479-316 / A-105

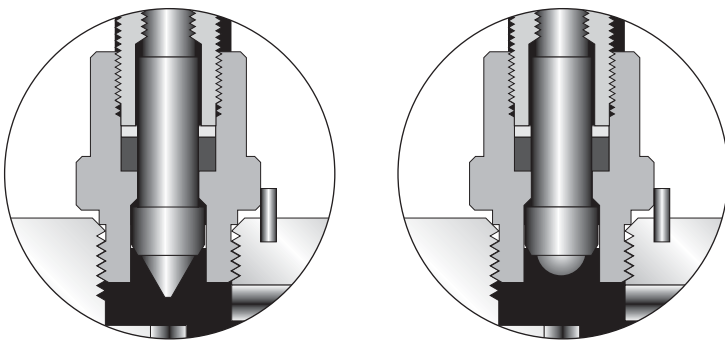


## Pressure / Temperature Rating



A - A Grafoil Packing  
A - B PTFE (Teflon) Packing

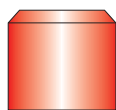
## Seat options available



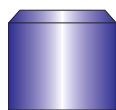
## End Connection options available

- Pipe Thread Connections
- weld Connection
- Tube Fitting Connection
- Socket Weld Connection

## Colour Coding of Dust Caps for Type of Valve



Red  
DRAIN



Blue  
ISOLATION

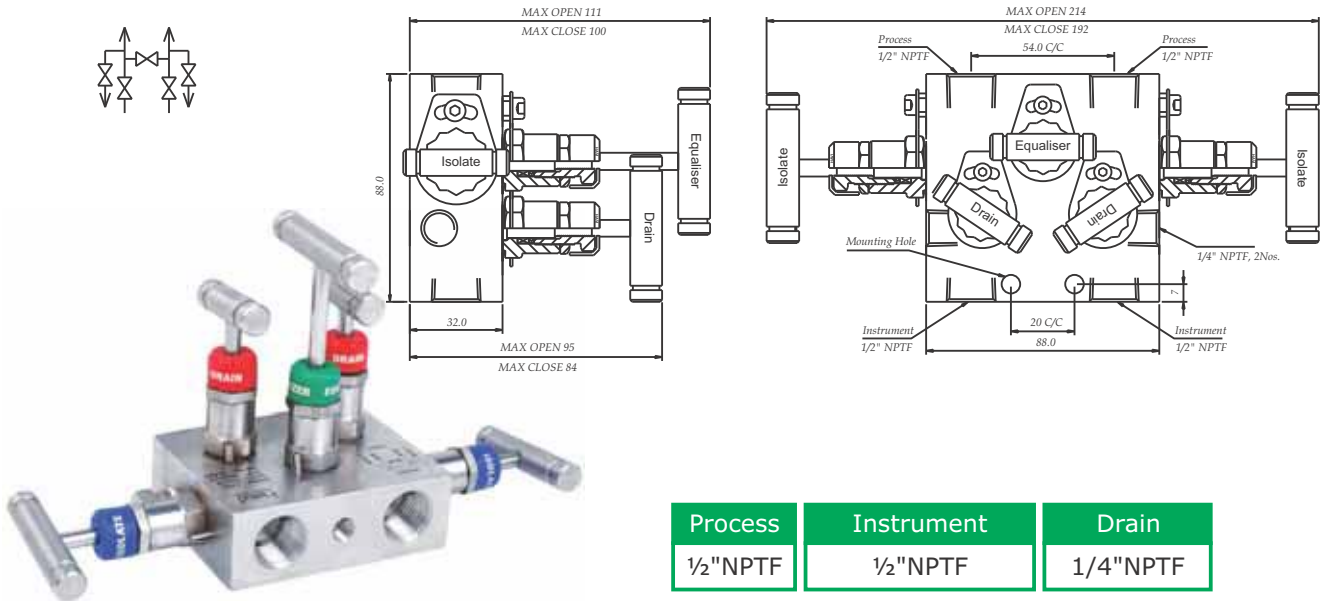


Green  
EQUALISING

# 5 Valve Instrument Manifold Valves Separately Mounted

## Model no. SV5A Separately Mounted 5 valve manifold

Pipe to Pipe design, Separately Mounted 5 Valve Manifold. This Valve has got 1/2"NPT female Connections at a centre distance of 54mm. It has got one equaliser valve and two Isolate Valve & two Drain Valve.

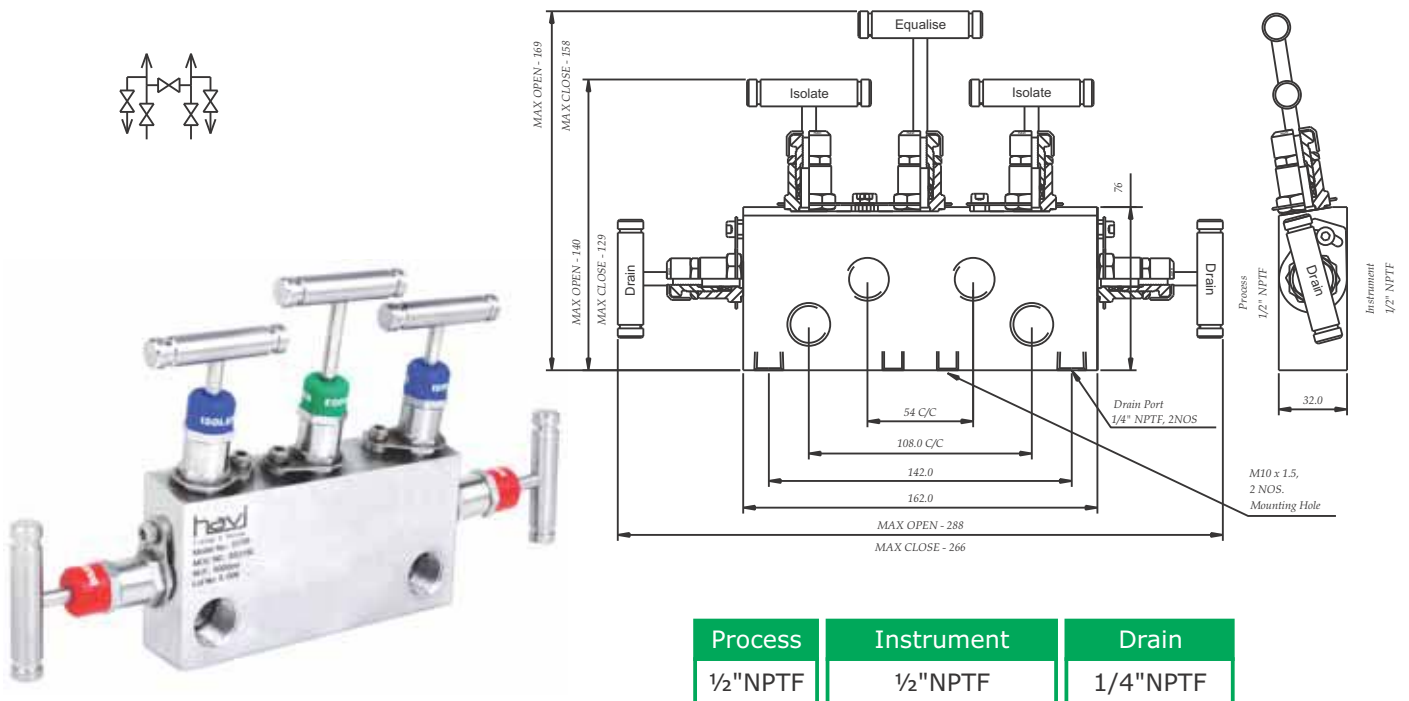


Technical drawings for Model no. SV5A manifold showing dimensions and valve configurations. The manifold is a pipe-to-pipe design with 1/2" NPT female connections. It features one equaliser valve, two isolate valves, and two drain valves. The drawings include a schematic, a side view, and a front view with dimensions.

Process	Instrument	Drain
1/2" NPTF	1/2" NPTF	1/4" NPTF

## Model no. SV5B Separately Mounted 5 valve manifold

Pipe to Pipe design, Separately Mounted 5 Valve Manifold. This Valve has got 1/2"NPT female Connections at a centre distance of 54mm. It has got one equaliser valve and two Isolate Valve & two Drain Valve.



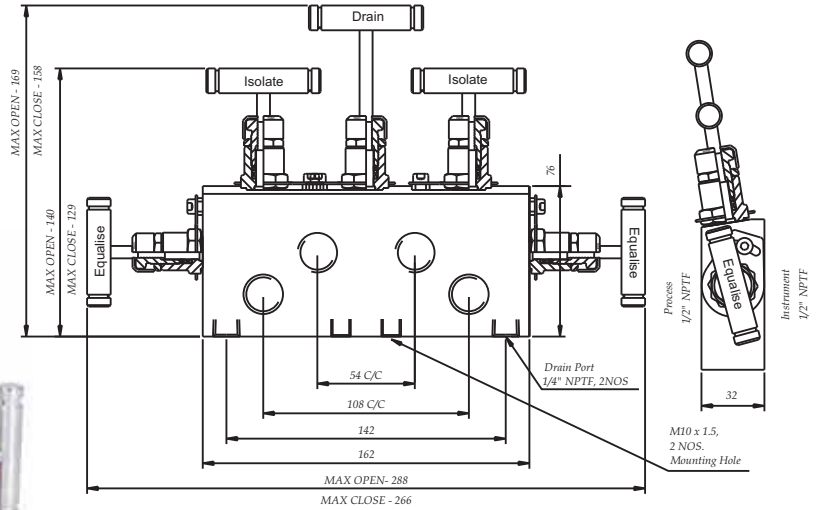
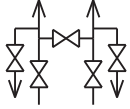
Technical drawings for Model no. SV5B manifold showing dimensions and valve configurations. The manifold is a pipe-to-pipe design with 1/2" NPT female connections. It features one equaliser valve, two isolate valves, and two drain valves. The drawings include a schematic, a side view, and a front view with dimensions.

Process	Instrument	Drain
1/2" NPTF	1/2" NPTF	1/4" NPTF

# 5 Valve Instrument Manifold Valves Seperately Mounted

## Model no. SV5C Seperately Mounted 5 valve manifold

Pipe to Pipe design, Seperately Mounted 5 Valve Manifold. This Valve has got 1/2"NPT female Connections at a centre distance of 54mm. It has got one equaliser valve and two Isolate Valve & two Drain Valve.

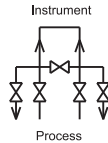
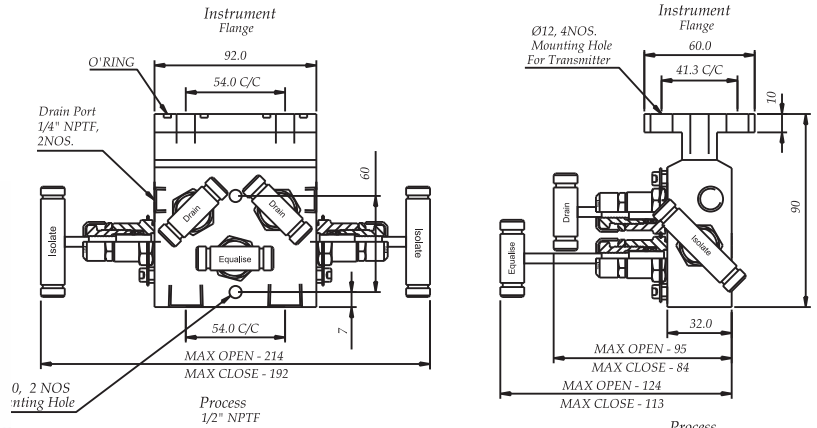


Process	Instrument	Drain
1/2" NPTF	1/2" NPTF	1/4" NPTF

## 5 Valve Instrument Manifold Valves Separately Mounted

### Model no. TV5A Directly Mounted 5 valve manifold

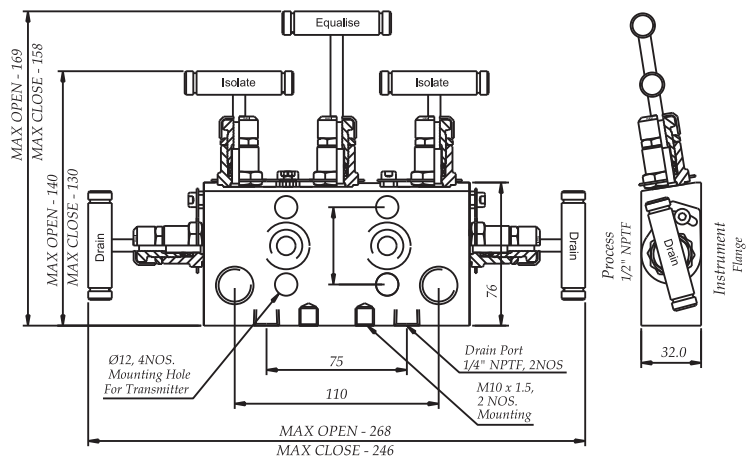
Pipe to Flange design, Directly Mounted 5 Valve Manifold. This Valve has got 1/2" NPT female Connections at a centre distance of 54mm. It has got one equaliser valve and two Isolate Valve & two Drain Valve.



Process	Instrument	Drain
1/2" NPTF	Flange	1/4" NPTF

### Model no. TV5B Directly Mounted 5 valve manifold

Pipe to Flange design, Directly Mounted 5 Valve Manifold. This Valve has got 1/2" NPT female Connections at a centre distance of 54mm. It has got one equaliser valve and two Isolate Valve & two Drain Valve.



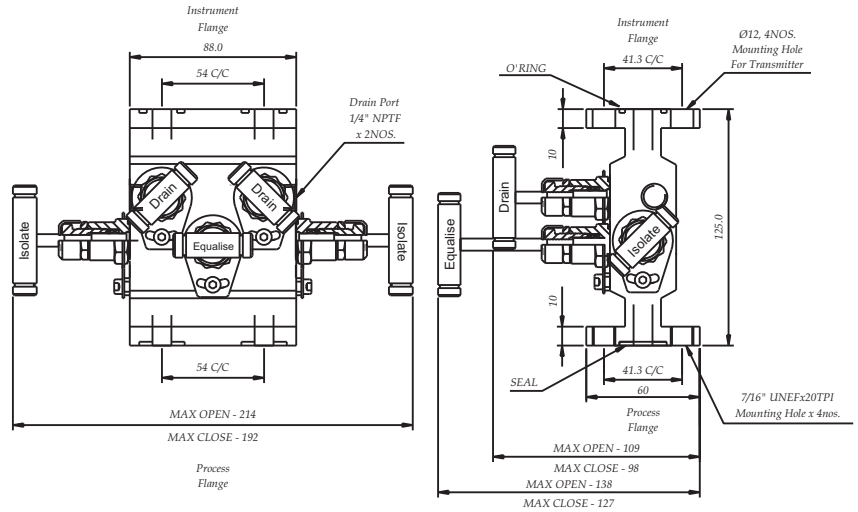
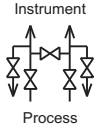
Process	Instrument	Drain
1/2" NPTF	Flange	1/4" NPTF

# 5 Valve Instrument Manifold Valves Directly Mounted



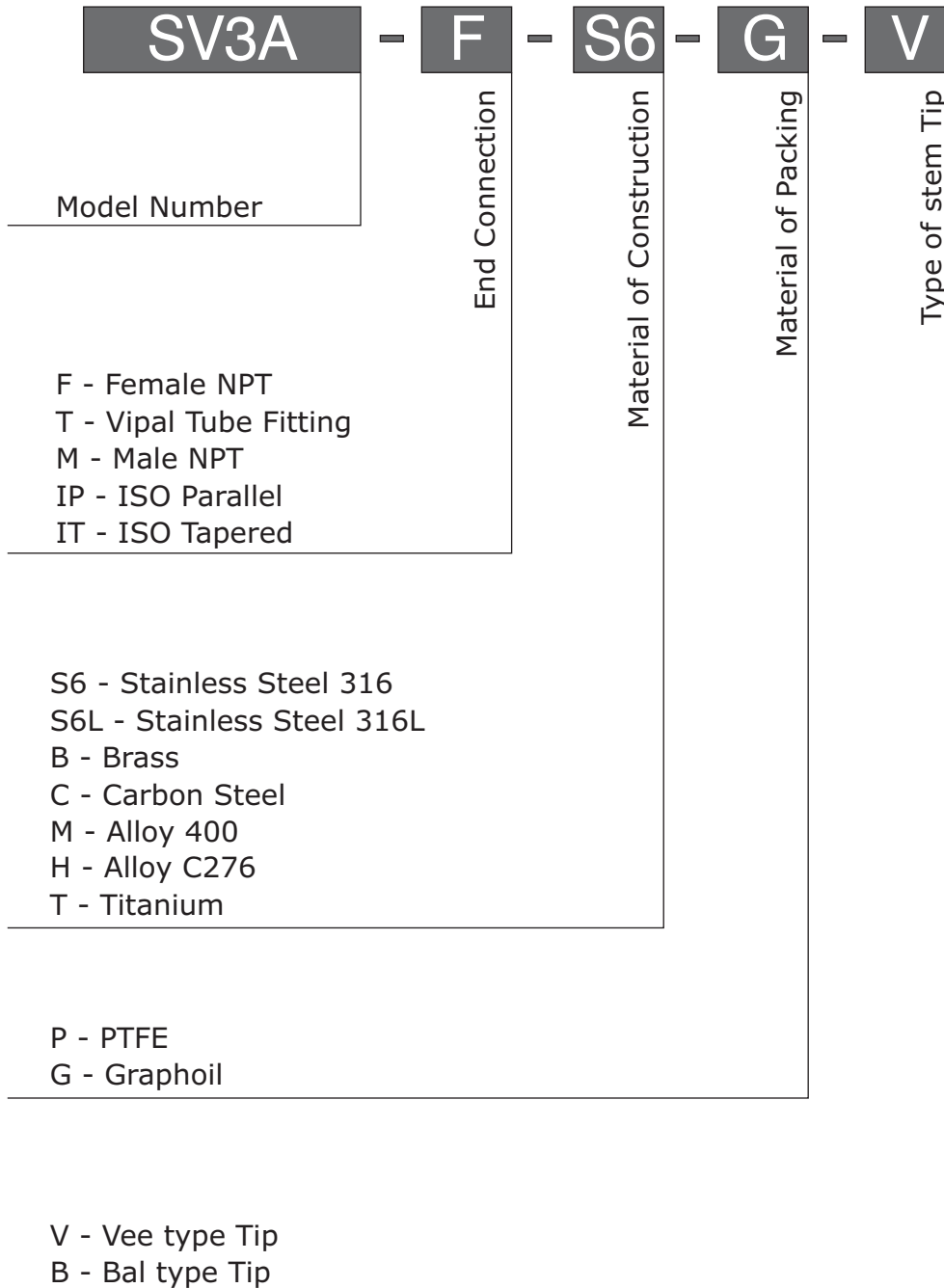
## Model no. TV5C Directly Mounted 5 valve manifold

Flange to Flange design, Directly Mounted 5 Valve Manifold. This Valve has got 1/2"NPT female Connections at a centre distance of 54mm. It has got one equaliser valve and two Isolate Valve & two Drain Valve.



Process	Instrument	Drain
FLANGE	FLANGE	1/4"NPTF

## Ordering Information







**vipal enterprises pvt. ltd.**

**Registered Office:**

302, Chandralok - A,  
97, Nepeansea Road,  
Mumbai 400006.  
India  
Tel.: +91 22 32656565  
Email: sales@havi.in

**Works:**

32, 34, Blue Chip No.5 Industrial Estate,  
Opp Professional Courier,  
Sativali Road, Vasai (East),  
Thane 401208, Maharashtra,  
India  
Tel.: +91 22 32656565  
Fax: +91 250 3027271  
Email: sales@havi.in

**Website: [www.havi.in](http://www.havi.in)**

**Компания ВСП**

107023, Россия, Москва,  
Семеновская площадь, 1а, 18 этаж  
+7 499 404 0080  
vsp@vsp-co.org

**Website: [www.vsp-co.org](http://www.vsp-co.org)**