

HLBV series

Lever Operated High Pressure Ball Valves

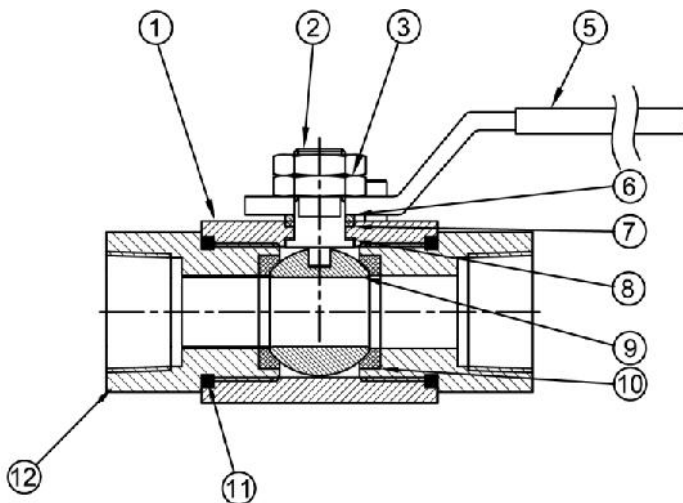
10000 psi Pressure Rating



Features

- 3 piece Design and Square Body
- Robust Body that is best suited for High Pressure application
- Floating Ball Design ensures leak proof shut off at high Pressures
- Seats and Packings are replaceable
- Maximum Orifice minimises Pressure Drops
- Stem is internally loaded and Anti Blow out design
- 100% factory Tested
- Working Pressure of 10000 psi at 21 Deg Centigrade
- Available in SS316/L, and Exotic Alloys also

Design



Temperature Rating

- Pressure
10,000 psig (690 bar)
- Temperature
-54 Deg C to +260 Deg C

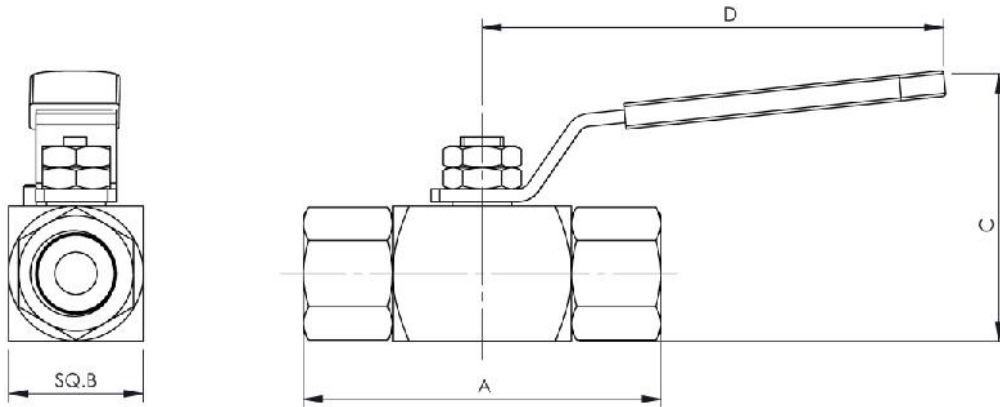
Testing

- All Valves are 100% tested for 1.5 times Working Pressure for Shell Test

No.	Description	Material
1	Body	SS316
2	Stem	SS316
3	Lock Nuts	SS316
4	Dowel	Stainless Steel
5	Handle	Stainless Steel
6	Gland	SS316

No.	Description	Material
7	Stem Seal	PTFE
8	Backup Seal	PTFE
9	Ball	SS316
10	Seat	PEEK
11	O Ring	Viton
12	Side Connector	SS316

Dimensions of Ball Valve



Size	Model No.	A	B	C	D	Orifice
1/4" NPTF	HLBV-4F	61.0	32.0	63.5	84.0	10.0
3/8" NPTF	HLBV-6F	61.0	32.0	63.5	84.0	10.0
1/2" NPTF	HLBV-8F	86.0	32.0	63.5	104.0	10.0
3/4" NPTF	HLBV-12F	105.0	40.0	71.0	165.0	12.7
1" NPTF	HLBV-16F	124.0	50.0	81.0	165.0	19.0
1/4" NPTM	HLBV-4N	66.0	32.0	63.5	84.0	10.0
3/8" NPTM	HLBV-6N	66.0	32.0	63.5	84.0	10.0
1/2" NPTM	HLBV-8N	92.0	32.0	63.5	104.0	10.0
3/4" NPTM	HLBV-12N	111.0	40.0	71.0	165.0	12.7
1" NPTM	HLBV-16N	130.0	50.0	81.0	165.0	19.0

Ordering Information

HLBV-4F - 4F - S6 - N

<p>Model Number</p> <p>F - Female NPT N - Male NPT IT - BSPT ITF - BSPT Female IPF - BSPP Female</p>	<p>Outlet Connection (E2)</p>	<p>Material Grade</p> <p>S6 - Stainless Steel 316 S6L - Stainless Steel 316L CS - Carbon Steel to A 105 M - Monel 400 276 - Hastelloy C276</p>	<p>Other Options</p> <p>N - NACE MR 0175 L - Handle Locking Arrangement P - Plastic Handle PM - Panel Mounting Arrangement</p>
--	-------------------------------	--	--

LOCAL DISTRIBUTOR



Your **SMART** Partner
for **SMART** Products

havi[®]
Fittings & Valves

A-Wing, 201
Prime Trade Center,
Sativali Road, Vasai East,
Dist. Palghar 401208,
Maharashtra, India.
Tel.: +91 7410 079684
Email: sales@havi.in

Компания ВСП
107023, Россия, Москва,
Семеновская площадь, 1а, 18 этаж
+7 499 4040080
vsp@vsp-co.org
www.vsp-co.org