



Monoflange & Integral Valves



Monoflange Valves

MVA series



Monoflange Valves are used as an alternative to multi valve systems. These Valves are specifically designed to provide a compact installation for gauge or transmitter instruments. These Valves can be mounted directly onto vertical or horizontal flanged connection. The Gauges can be kept in an vertical position with the help of this flexibility in HAVI Monoflange valves. With the help of Monoflange Valves Isolation, Venting and Instrument Mounting is possible in a single unit.

Monoflange Valves installation helps to reduce the weight of the earlier conventional method of installation by eliminating the number of Valves. Also since the height of the installation is reduced the risk of damage at times of vibration is also eliminated

Features

Directly Mounted on the Flange of Piping connection, hence the overall height is reduced

Helps to reduce weight and Cost

Flange Connections conforming to ANSI B16.5

Working Pressure of 6000 psig

Stainless Steel Construction with options of packing for high temperature application

Colour coded Dust Caps for identification of Valve type

100% factory Tested

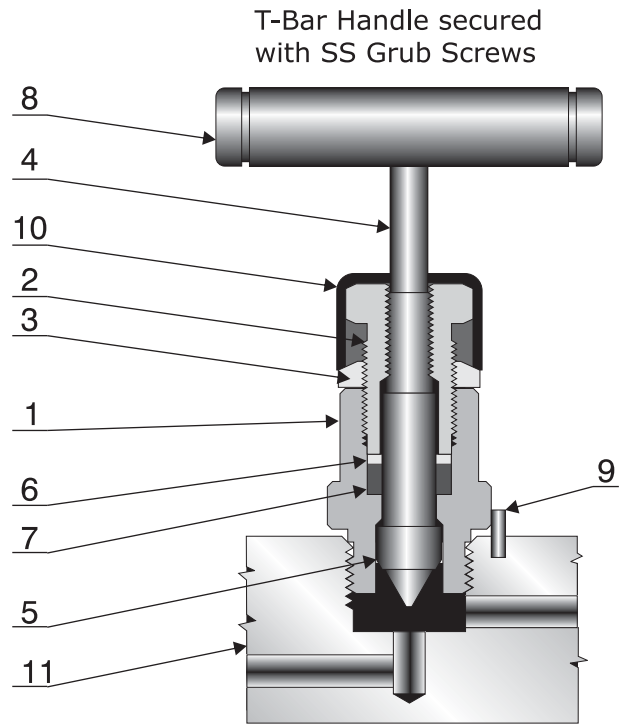
Metal to Metal Seating for constant compression

Thread rolled and Burnished Stem

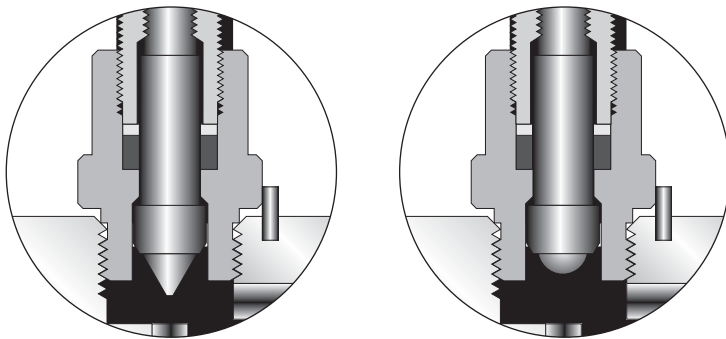
Hardened Tip for extended Leak Proof Life

Needle Valve Bonnet Design

| Sl. No. | Description | Qty. | M.O.C |
|---------|-------------|------|------------------|
| 1. | Bonnet | 1. | A479-316 / A-105 |
| 2. | Pusher | 1. | A479-316 / A-105 |
| 3. | Check Nut | 1. | A479-316 / A-105 |
| 4. | Spindle | 1. | A479-316 / A-105 |
| 5. | Spindle Tip | 1. | 1. |
| 6. | Washer | 1. | A479-316 / A-105 |
| 7. | Packing | 1. | PTFE / Graphoil |
| 8. | T - Handle | 1. | A479-316 / A-105 |
| 9. | Locking Pin | 1. | A479-316 / A-105 |
| 10. | Dust Cap | 1. | L.D.P.E |
| 11. | Body | 1. | A479-316 / A-105 |



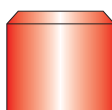
Seat options available



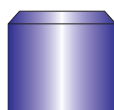
End Connection options available

- Pipe Thread Connections
- weld Connection
- Tube Fitting Connection
- Socket Weld Connection

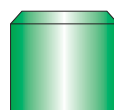
Colour Coding of Dust Caps for Type of Valve



Red
DRAIN



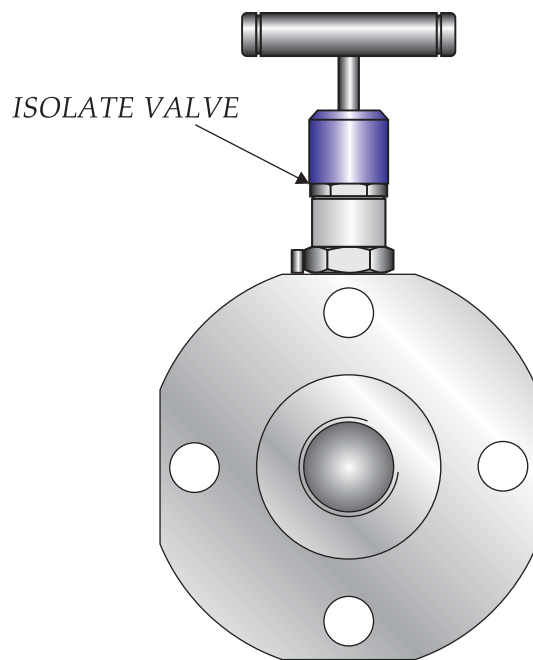
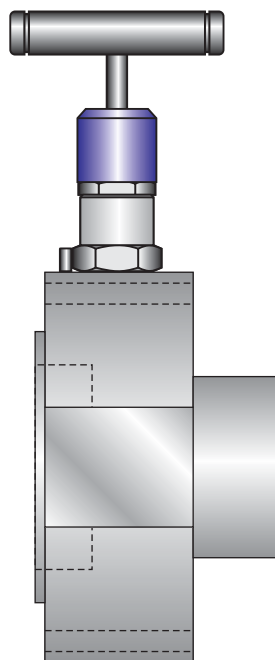
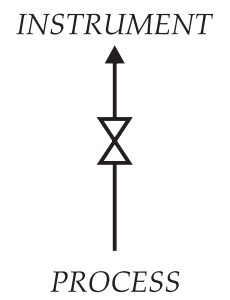
Blue
ISOLATION



Green
EQUALISING

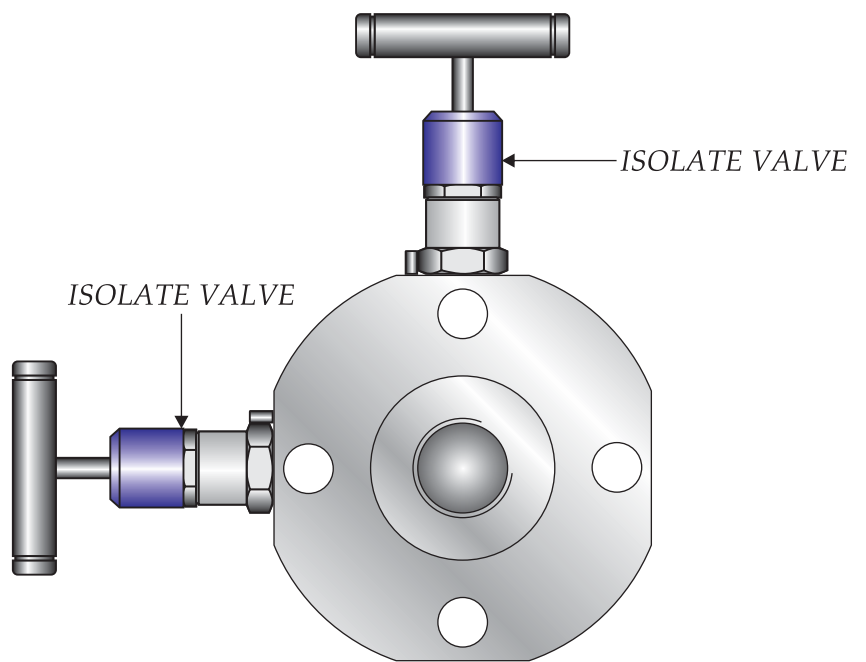
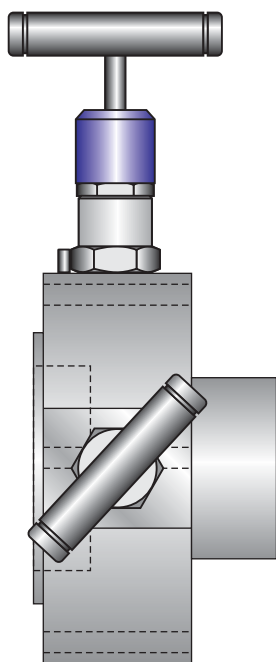
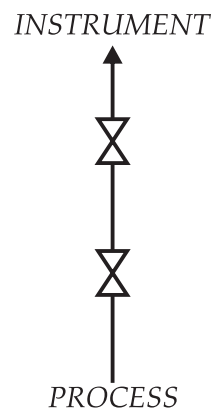
Model no. MVA

Single Isolation type



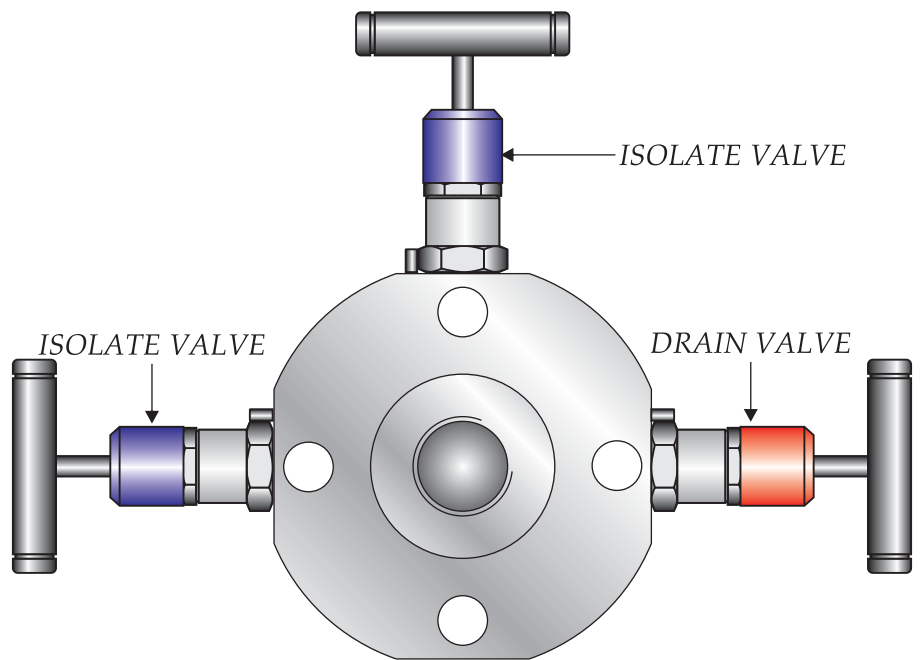
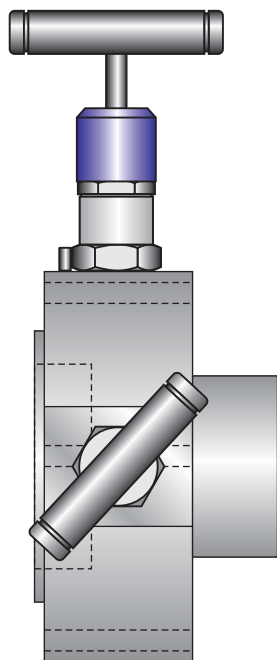
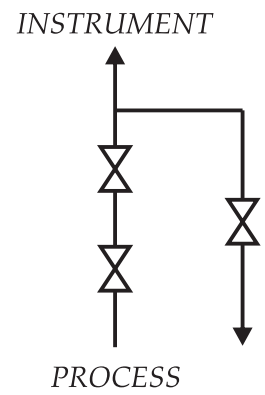
Model no. MVB

Double Isolation type



Model no. MVC

Double Isolation and Drain type



Ordering Information

MVA - 8RS 300 - 8RF 300 - P - 4F - S6

Model Number

Process Connection

Instrument Connection

Material of Packing

Vent End Connection size

Material of Construction

| Flange Size | Use | Flange Face style | Use | Flange Class | Use |
|-------------|-----|-------------------|-----|--------------|------|
| 1/2" | 8 | Raised face | RF | 150 lb | 150 |
| 3/4" | 12 | (smooth) | | 300 lb | 300 |
| 1" | 16 | Raised face | RS | 600 lb | 600 |
| 1-1/2" | 24 | (serated) | | 900 lb | 900 |
| 2" | 32 | Ring type joint | RT | 1500 lb | 1500 |
| | | | | 2500 lb | 2500 |

F - Female NPT
 T - Tube Fitting
 M - Male NPT
 IP - ISO Parallel
 IT - ISO Tapered

| Flange Size | Use | Flange Face style | Use | Flange Class | Use |
|-------------|-----|-------------------|-----|--------------|------|
| 1/2" | 8 | Raised face | RF | 150 lb | 150 |
| 3/4" | 12 | (smooth) | | 300 lb | 300 |
| 1" | 16 | Raised face | RS | 600 lb | 600 |
| 1-1/2" | 24 | (serated) | | 900 lb | 900 |
| 2" | 32 | Ring type joint | RT | 1500 lb | 1500 |
| | | | | 2500 lb | 2500 |

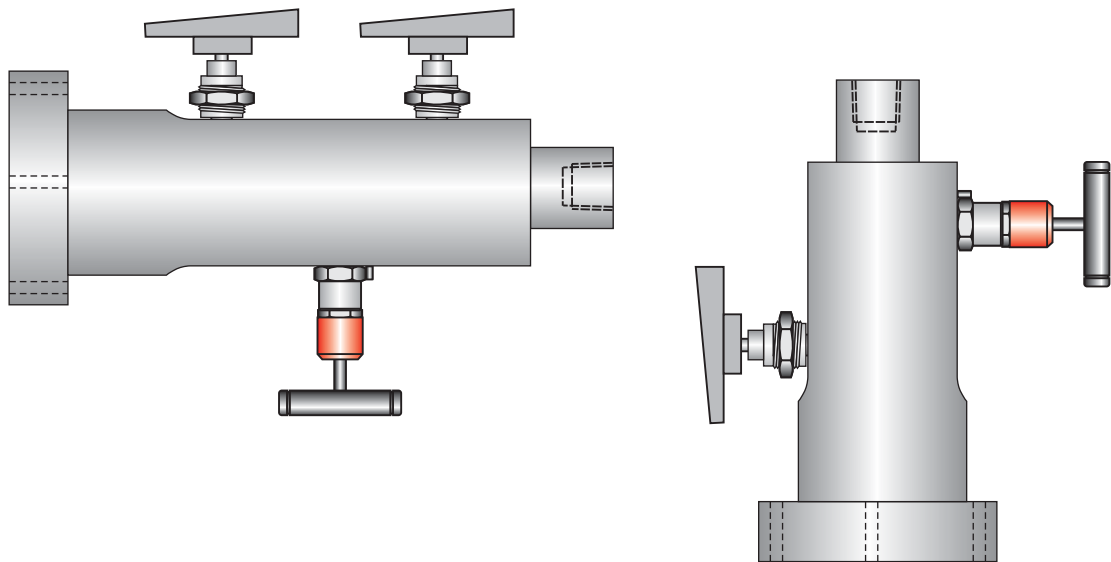
P - PTFE
 G - Graphoil

1/4" 4F
 3/8" 6F
 1/2" 8F

S6 - Stainless Steel 316
 S6L - Stainless Steel 316L
 B - Brass
 C - Carbon Steel
 M - Alloy 400
 H - Alloy C276
 T - Titanium

Integral Valves

IV series



Integral Valves of HAVI are used for Double Block & Bleed application in which all the Valves are integrated in one piece of Block. Double block and bleed means the closure of a line, duct, or pipe by closing and locking or tagging two in-line valves and by opening and locking or tagging a drain or vent valve in the line between the two closed valves. These valves comes in various configuration of Valves combination. These Valve can directly be mounted on the Flange of Piping connections, thereby avoiding the installation of Globe Valve, Nipple and so on.

The main advantage of these Valves is the reduction of weight and Leak path due to Vibrations.

Features

Directly Mounted on the Flange of Piping connection, hence the overall height is reduced

Helps to reduce weight and Cost

Flange Connections conforming to ANSI B16.5

Working Pressure of 6000 psig

Stainless Steel Construction with options of packing for high temperature application

Colour coded Dust Caps for identification of Valve type

100% factory Tested

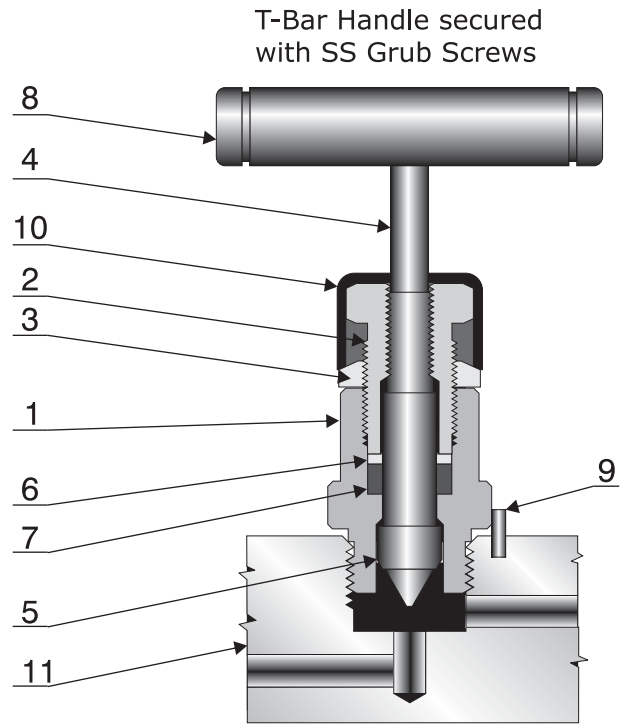
Metal to Metal Seating for constant compression

Thread rolled and Burnished Stem

Hardened Tip for extended Leak Proof Life

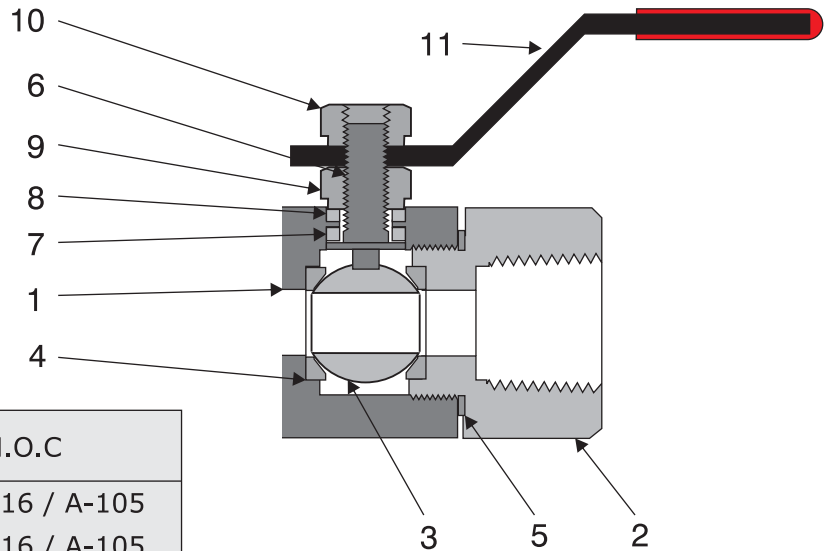
Needle Valve Bonnet Design

| Sl. No. | Description | Qty. | M.O.C |
|---------|-------------|------|------------------|
| 1. | Bonnet | 1. | A479-316 / A-105 |
| 2. | Pusher | 1. | A479-316 / A-105 |
| 3. | Check Nut | 1. | A479-316 / A-105 |
| 4. | Spindle | 1. | A479-316 / A-105 |
| 5. | Spindle Tip | 1. | 1. |
| 6. | Washer | 1. | A479-316 / A-105 |
| 7. | Packing | 1. | PTFE / Graphoil |
| 8. | T - Handle | 1. | A479-316 / A-105 |
| 9. | Locking Pin | 1. | A479-316 / A-105 |
| 10. | Dust Cap | 1. | L.D.P.E |
| 11. | Body | 1. | A479-316 / A-105 |



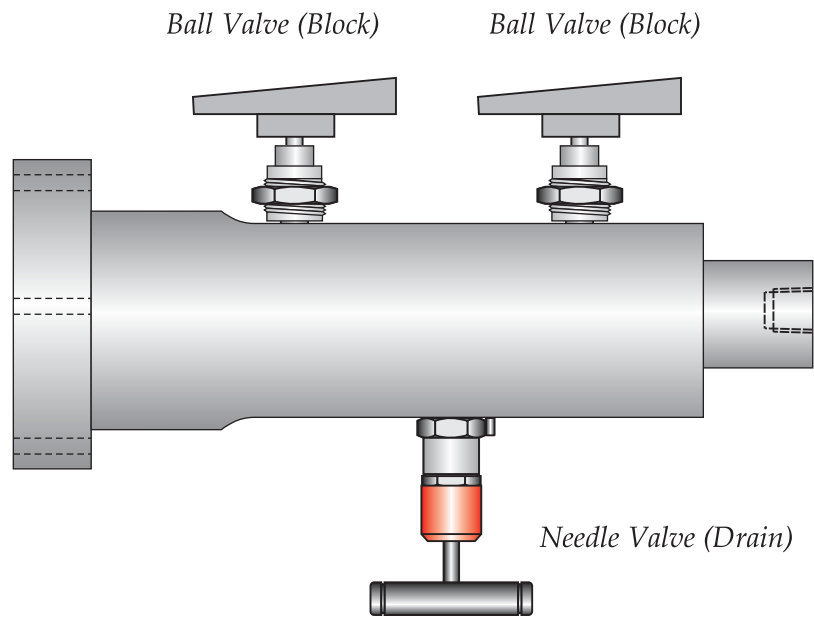
Ball Valve Bonnet Design

| Sl. No. | Description | Qty. | M.O.C |
|---------|-------------|------|------------------|
| 1. | Body | 1. | A479-316 / A-105 |
| 2. | Connector | 1. | A479-316 / A-105 |
| 3. | Ball | 1. | A479-316 / A-105 |
| 4. | Ball Seat | 1. | PTFE / Graphoil |
| 5. | Washer | 1. | A479-316 / A-105 |
| 6. | Stem | 1. | A479-316 / A-105 |
| 7. | Packing | 1. | PTFE / Graphoil |
| 8. | Packing | 1. | PTFE / Graphoil |
| 9. | Stem Nut | 1. | A479-316 / A-105 |
| 10. | Stem Nut | 1. | A479-316 / A-105 |
| 11. | Handle | 1. | A479-316 / A-105 |

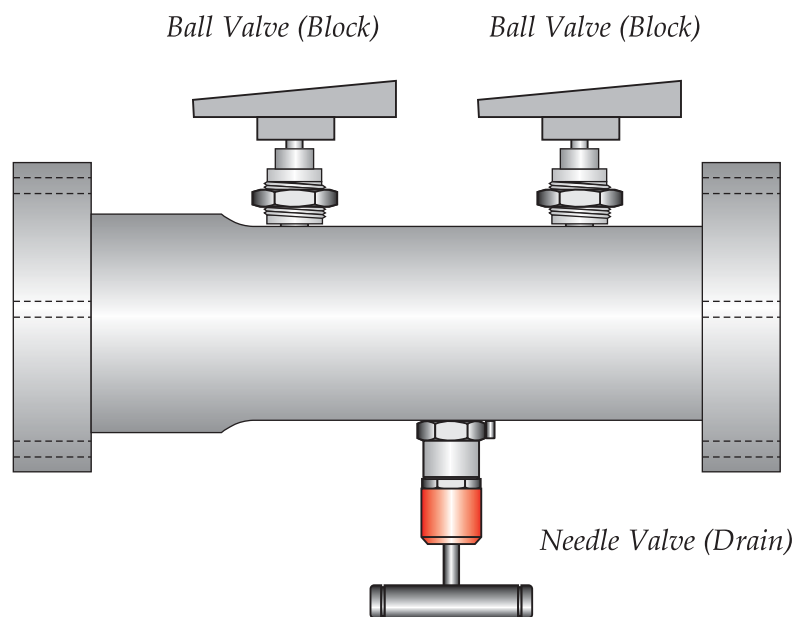


Model no. IVA

Double Block and Bleed type



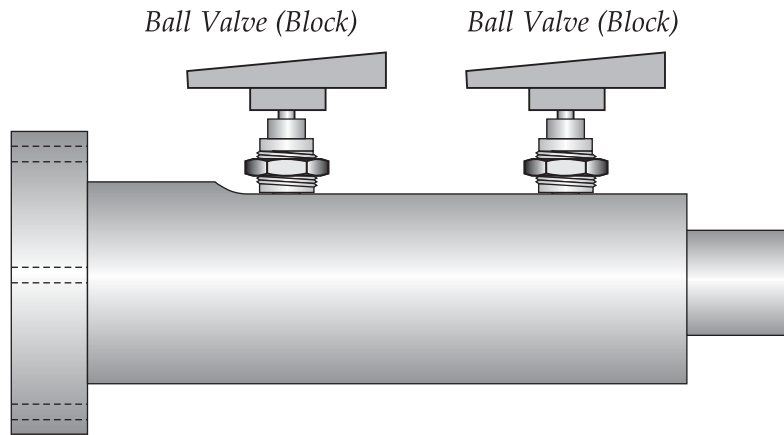
Flange to Pipe Connection



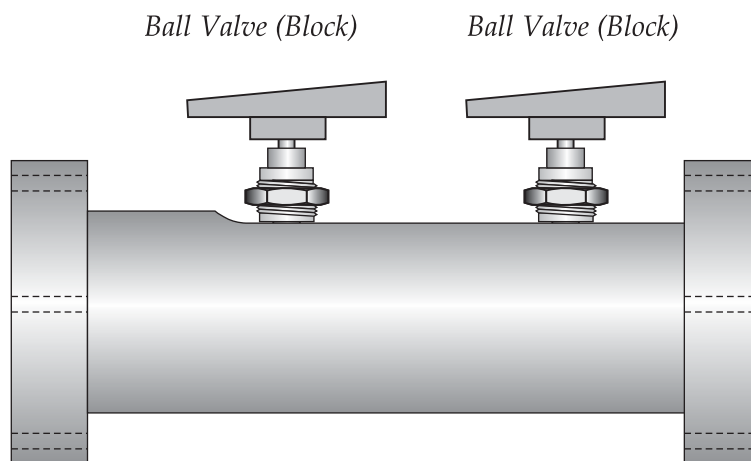
Flange to Flange Connection

Model no. IVB

Double Block type



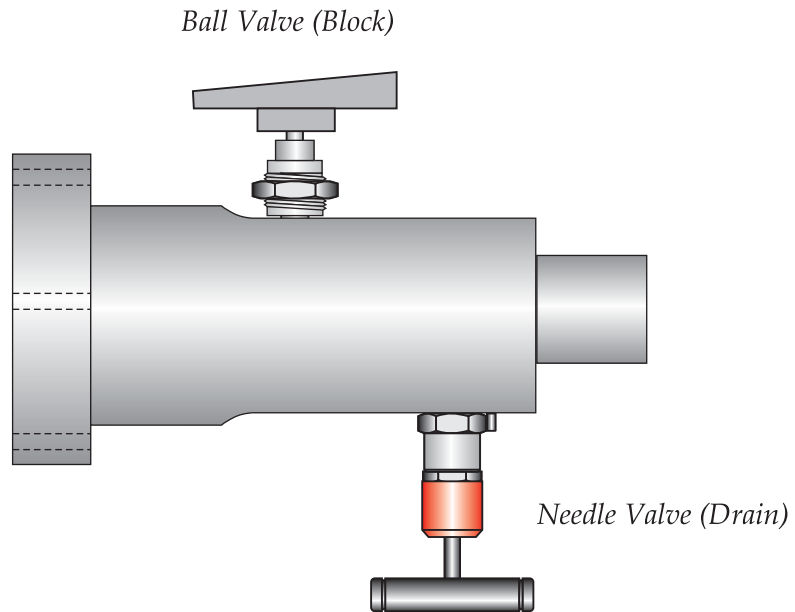
Flange to Pipe Connection



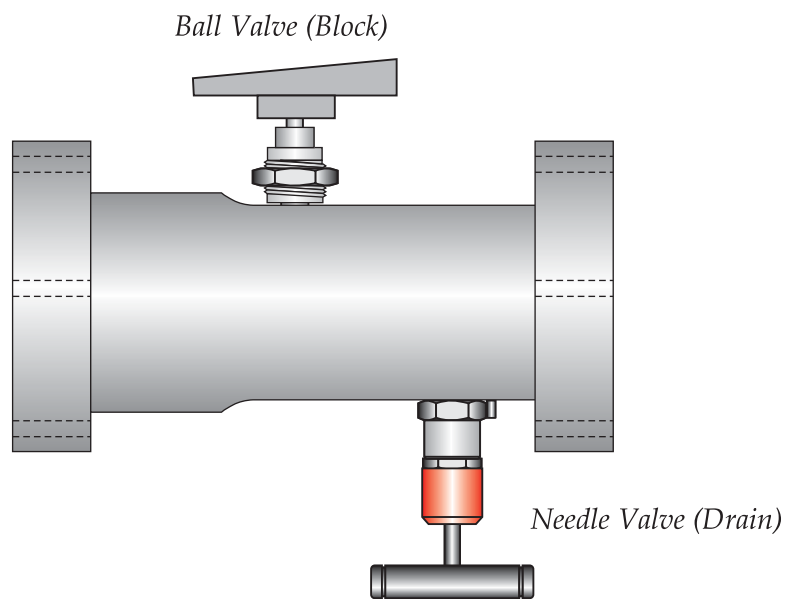
Flange to Flange Connection

Model no. IVC

Single Block & Bleed type



Flange to Pipe Connection



Flange to Flange Connection

Ordering Information

IVB - 8RS 300 - 8RF 300 - P - 4F - S6

Model Number

Process Connection

Instrument Connection

Material of Packing

Vent End Connection size

Material of Construction

| Flange Size | Use | Flange Face style | Use | Flange Class | Use |
|-------------|-----|-------------------|-----|--------------|------|
| 1/2" | 8 | Raised face | RF | 150 lb | 150 |
| 3/4" | 12 | (smooth) | | 300 lb | 300 |
| 1" | 16 | Raised face | RS | 600 lb | 600 |
| 1-1/2" | 24 | (serated) | | 900 lb | 900 |
| 2" | 32 | Ring type joint | RT | 1500 lb | 1500 |
| | | | | 2500 lb | 2500 |

| Flange Size | Use | Flange Face style | Use | Flange Class | Use |
|-------------|-----|-------------------|-----|--------------|------|
| 1/2" | 8 | Raised face | RF | 150 lb | 150 |
| 3/4" | 12 | (smooth) | | 300 lb | 300 |
| 1" | 16 | Raised face | RS | 600 lb | 600 |
| 1-1/2" | 24 | (serated) | | 900 lb | 900 |
| 2" | 32 | Ring type joint | RT | 1500 lb | 1500 |
| | | | | 2500 lb | 2500 |

F - Female NPT
T - Tube Fitting
M - Male NPT
IP - ISO Parallel
IT - ISO Tapered

P - PTFE
G - Graphoil

1/4" 4F
3/8" 6F
1/2" 8F

S6 - Stainless Steel 316
S6L - Stainless Steel 316L
B - Brass
C - Carbon Steel
M - Alloy 400
H - Alloy C276
T - Titanium

LOCAL DISTRIBUTOR



Your **SMART** Partner
for **SMART** Products

havi[®]
Fittings & Valves

A-Wing, 201
Prime Trade Center,
Sativali Road, Vasai East,
Dist. Palghar 401208,
Maharashtra, India.
Tel.: +91 7410 079684
Email: sales@havi.in

Компания ВСП
107023, Россия, Москва,
Семеновская площадь, 1а, 18 этаж
+7 499 4040080
vsp@vsp-co.org
www.vsp-co.org