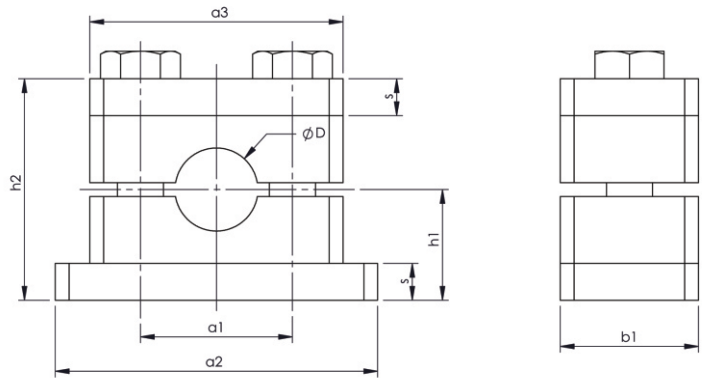
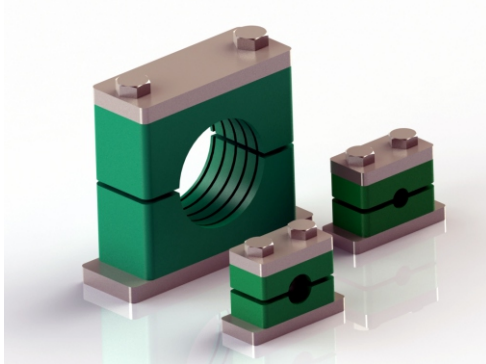


Tube & Pipe Clamps to DIN 3015

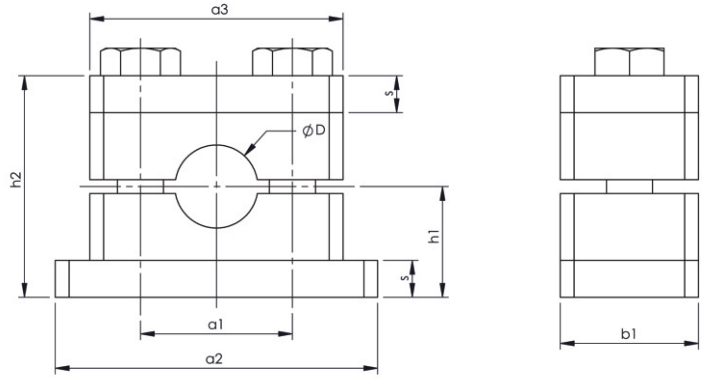
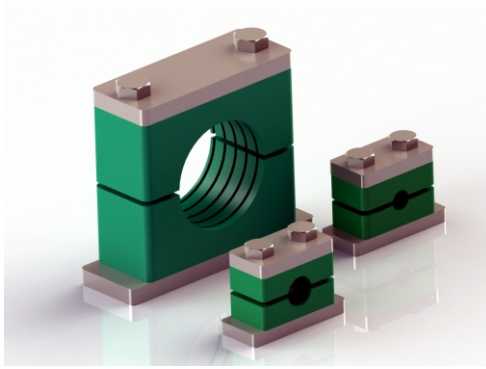
Light Duty Tube Clamps



DIN 3015 - Part 1 Standard Series Clamps

Group	Tube O.D	Model No.	a2	a3	a1	s	h2	Bolt Size
A	4.0	LPC4M	43	37	20	3	33	M6 x 30
	6.0	LPC6M						
	6.4	LPC6.4M						
	8.0	LPC8M						
	9.5	LPC9.5M						
	10.0	LPC10M						
B	12.0	LPC12M	48	42	26	3	39	M6 x 35
	12.7	LPC12.7M						
	13.5	LPC13.5M						
	14.0	LPC14M						
	15.0	LPC15M						
	16.0	LPC16M						
C	17.2	LPC17.2M	56	50	33	3	42	M6 x 40
	18.0	LPC18M						
	19.0	LPC19M						
	20.0	LPC20M						
D	21.3	LPC21.3M	65	59	40	3	48	M6 x 45
	22.0	LPC22M						
	25.0	LPC25M						
E	26.9	LPC26.9M	77	71	52	3	64	M6 x 60
	28.0	LPC28M						
	30.0	LPC30M						
	32.0	LPC32M						
	33.7	LPC33.7M						
F	35.0	LPC35M	92	86	66	3	72	M6 x 70
	38.0	LPC38M						
	40.0	LPC40M						
G	42.0	LPC42M	122	118	94	5	103	M6 x 100
	44.5	LPC44.5M						
	48.3	LPC48.3M						
	50.8	LPC50.8M						
	57.2	LPC57.2M						
	60.3	LPC60.3M						
63.5	LPC63.5M							
	70.0	LPC70M						
	73.0	LPC73M						
	76.1	LPC76.1M						

Heavy Duty Clamps



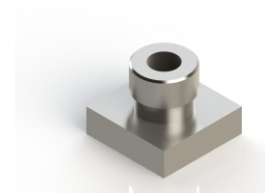
DIN 3015 - Part 2 Standard Series Clamps

Group	Tube O.D	Model No.	a3	a1	h2	b1	a2	s	Bolt Size
A	6.0	HPC6M	55	33	48	30	70	8	M10 x 45
	6.4	HPC6.4M							
	8.0	HPC8M							
	9.5	HPC9.5M							
	10.0	HPC10M							
	12.0	HPC12M							
	12.7	HPC12.7M							
	13.5	HPC13.5M							
	14.0	HPC14M							
	15.0	HPC15M							
	16.0	HPC16M							
B	17.2	HPC17.2M	70	45	64	30	85	8	M10 x 60
	18.0	HPC18M							
	19.0	HPC19M							
	20.0	HPC20M							
	21.3	HPC21.3M							
	22.0	HPC22M							
	25.0	HPC25M							
	26.9	HPC26.9M							
C	28.0	HPC28M	85	60	76	30	100	8	M10 x 70
	30.0	HPC30M							
	30.0	HPC30MC							
	33.7	HPC33.7M							
	35.0	HPC35M							
D	38.0	HPC38M	115	90	107	45	140	10	M12 x 100
	42.0	HPC42M							
	42.0	HPC42MD							
	48.3	HPC48.3M							
	50.8	HPC50.8M							
	60.3	HPC60.3M							
E	63.5	HPC63.5M	152	122	140	60	180	10	M16 x 130
	65.0	HPC65M							
	70.0	HPC70M							
	73.0	HPC73M							
F	76.1	HPC76.1M	206	168	197	80	226	15	M20 x 190
	88.9	HPC88.9M							
	102.0	HPC102M							
	114.0	HPC114M							
G	127.0	HPC127M	251	205	230	91	270	15	M24 x 225
	133.0	HPC133M							
	141.0	HPC141M							
H	152.0	HPC152M	320	265	320	120	340	25	M24 x 225
	168.0	HPC168M							
	168.0	HPC168MH							
	193.7	HPC193.7M							

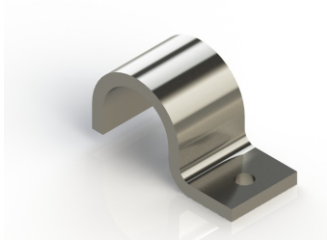
Accessories



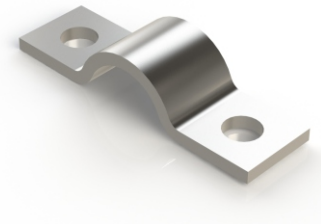
Mono Rail to
DIN 3015 Part 1 and 2



Rail Nut



Pipe Clip to ICF
MD Specifications



Pipe Clip to ICF
MD Specifications

Ordering Information

LPC6M	-	P	-	S
Model Number				
Body Material		Don't Specify for P.p Body		Type of Body
P	-	Polypropylene		
S6	-	SS316		
S4	-	SS304		
C	-	Carbon Steel		
S - Single Tube				
D - Double Tube				

vipal enterprises pvt ltd

32, 34 Blue Chip Industrial Estate No.5,
Sativali Road, Vasai East, Thane 401208,
Maharashtra, India.

Email: sales@havi.in

Website: www.havi.in

Компания ВСП

107023, Россия, Москва,
Семеновская площадь, 1а, 18 этаж

+7 499 4040080

vsp@vsp-co.org

www.vsp-co.org

