

# Piping Accessories



## SYP series

Pressure Gauge Syphons are designed and as per DIN 16 282. The main application of Gauge Syphons is to protect the Instrument from rapid pressure surges and Hot pressure Media. It also acts as an cooling element for various liquids, Gases and Vapours. Trumpet Form is used in Vertical Pressure Tapping and the U-Form Syphons are used in Horizontal Pressure tappings.



### Features

- Available in U-Forn and Trumpet Form.
- Working Pressure upto 6000 psi.
- Maximum Temperature rating - 400 D.Cen.
- 100% Factory Tested.



Trumpet type



U - type

## Ordering Information

**SYP - F - F - S6**

Part Number  
with size Designator

- F - Female NPT
- SW - Socket Weld
- BW - Butt Weld
- IT - ISO Tapered
- IP - ISO Parallel
- IPR - Revolving ISO Parallel

First  
End Connection

Second  
End Connection

Material of Construction

- S6 - Stainless Steel 316
- S6L - Stainless Steel 316L
- CS - Carbon Steel

## Size Designator

Size	Desig.
1/4"	4
1/2"	8
3/4"	12
1"	16

# Fabricated Air Distribution Manifold

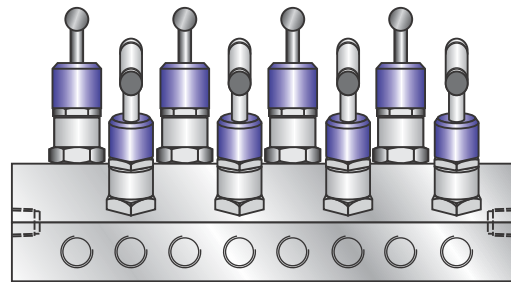
Air Distribution Manifold Valves are designed and manufactured for multiple applications with single input and multiple outputs. A series of Needle Valve or Ball Valves are assembled and configured to achieve the planned flow. These valves are made to the Customer specifications depend on the number of inlet and outlet connections. Various material options for Body and packings are available for different temperature applications. These valves are designed to provide an leak proof assembly and give 100% reliability.

These Valves comes in two different series: ADF series are fabricated Manifold manufactured from Pipe. The ADB series Manifolds are manufactured from Bar Stock and works at an pressure of 6000 psi.

### *ADF series*



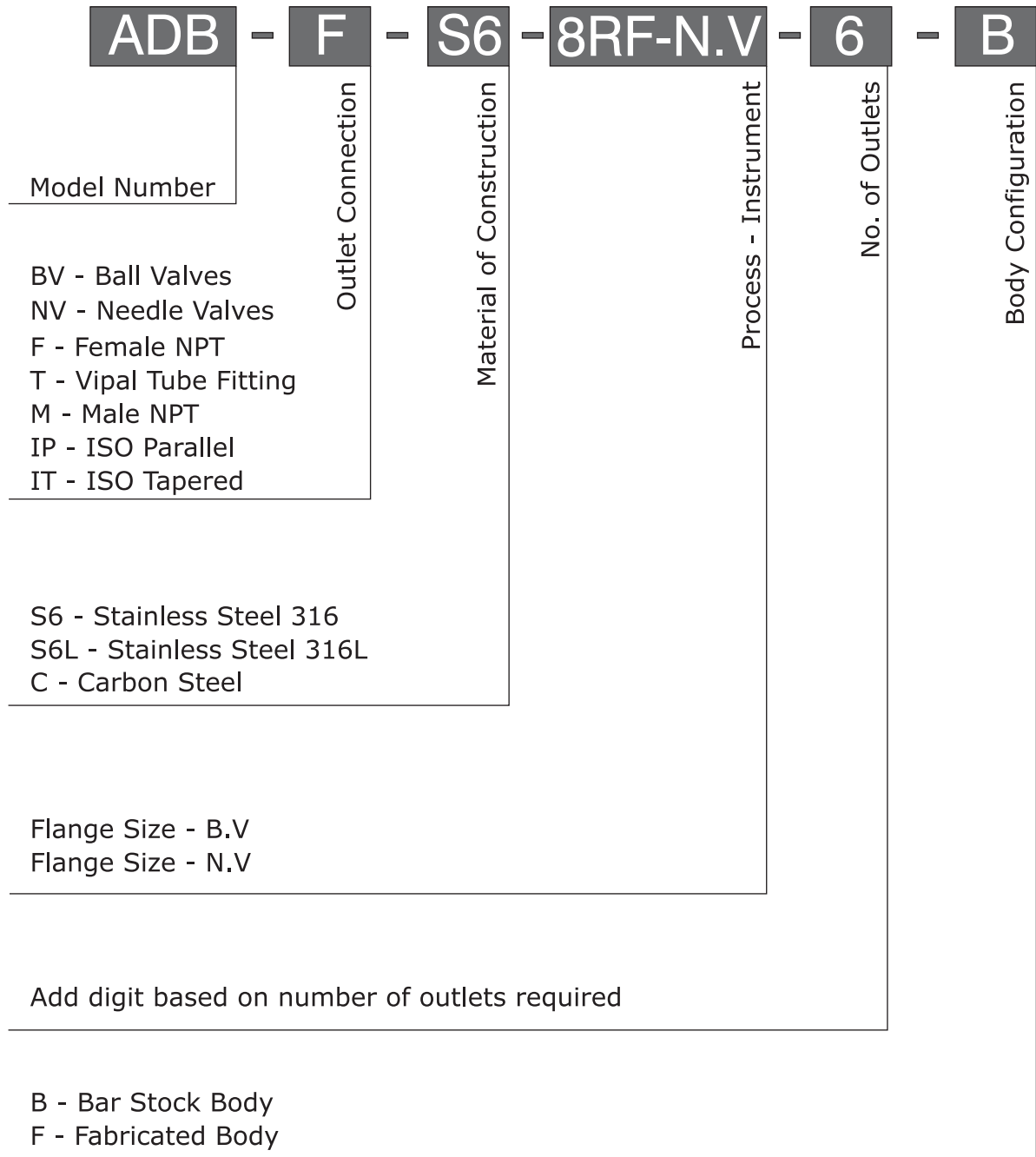
### *ADB series*



### **Features**

- Working Pressure from 1000 psig to 6000 psig
- Non Rotating Vee type design to eliminate rotation between seat and tip
- Stainless Steel Construction with options of packing for high temperature application
- Colour coded Dust Caps for identification of Valve type
- 100% factory Tested
- Metal to Metal Seating for constand compression
- Thread rolled and Burnished Stem
- Case Hardened Tip for extended Leak Proof Life
- Available in Bar Stock and Fabricated configuration

## Ordering Information



## SNUB series

Snubbers which are often called as Gauge Savers or Gauge Dampners are used with Pressure Gauges, where there are sudden Shocks and Impulses in the Process lines. Snubbers are used to considerably reduce the impulses and hence makes the gauge reading easier. This also helps in increasing the life of the Gauges.



### Features

Available in 1/4", 3/8" and 1/2" Connections.

Working Pressure upto 6000 psi.

Available in Brass and SS316/L.

100% Factory Tested.

Part number	Process	Instrument
SNUB-8N-8F	1/2"NPTM	1/2"NPTF
SNUB-8IT-8ITF	1/2"BSPTM	1/2"BSPTF
SNUB-6N-6F	3/8"NPTM	3/8"NPTF
SNUB-6IT-6ITF	3/8"BSPTM	3/8"BSPTF
SNUB-4N-4F	1/4"NPTM	1/4"NPTF
SNUB-4IT-4ITF	1/4"BSPTM	1/4"BSPTF

## Ordering Information

**SNUB-8N-8F - S6**

Part Number  
with size Designator

Material of Construction

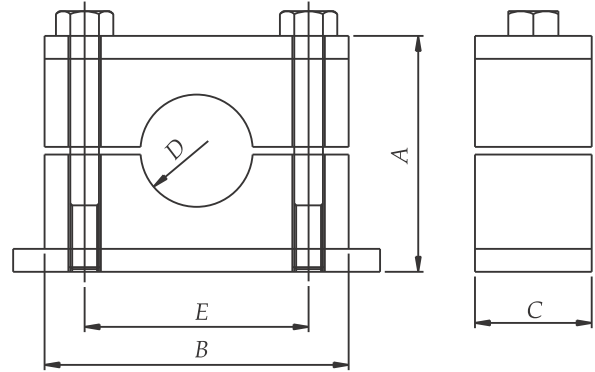
S6 - Stainless Steel 316  
S6L - Stainless Steel 316L

## Size Designator

Size	Desig.
1/4"	4
1/2"	8
3/4"	12
1"	16

## Tube Clamps HD series

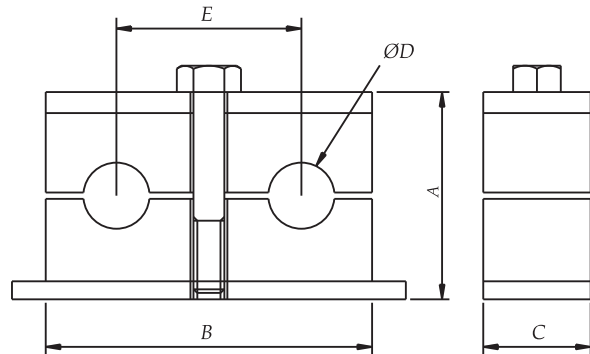
Tube Clamps come with sufficient strength to support the Hydraulic pipe lines or Tubings where they are required to be straight in short as well as long distance. These Clamps are made out of High Density Polyethylene material along with Steel Plates. This combination gives a very good strength. Tube Clamps are available in various sizes from 6mm to 90mm O.D



### Dimensional Table

Part Number	A	B	C	D	E
HD-10M	42	55	30	10	33
HD-12M	42	55	30	12	33
HD-16M	42	55	30	16	33
HD-18M	42	55	30	18	33
HD-20M	58	70	30	20	45
HD-22M	58	70	30	22	45
HD-25M	58	70	30	25	45
HD-26.7M	58	70	30	26.7	45
HD-28M	58	70	30	28	45
HD-30M	70	85	30	30	60
HD-32M	70	85	30	32	60
HD-33M	70	85	30	33	60
HD-35M	70	85	30	35	60
HD-38M	70	85	30	38	60
HD-42M	70	85	30	42	60
HD-48M	110	114	45	48	90
HD-50M	110	114	45	50	90
HD-60M	110	114	45	60	90
HD-73M	161	188	65	73	140
HD-75M	161	188	65	75	140
HD-76.1M	161	188	65	76.1	140

# Tube Clamps TW series



## Dimensional Table

Part Number	A	B	C	D	E
TW-6M	27	36	30	6	20
TW-6.4M	27	36	30	6.4	20
TW-8M	27	36	30	8	20
TW-9.5M	27	36	30	9.5	20
TW-10M	27	36	30	10	20
TW-12M	27	36	30	12	20
TW-12.7M	26	54	30	12.7	30
TW-13.5M	26	54	30	13.5	30
TW-14M	26	54	30	14	30
TW-15M	26	54	30	15	30
TW-16M	26	54	30	16	30
TW-17.2M	26	54	30	17.2	30
TW-18M	26	54	30	18	30
TW-19M	36	66	30	19	36
TW-20M	36	66	30	20	36
TW-21.3M	36	66	30	21.3	36
TW-22M	36	66	30	22	36
TW-25M	36	66	30	25	36
TW-26.9M	42	82	30	26.9	45
TW-28M	42	82	30	28	45
TW-30M	42	82	30	30	45



**vipal enterprises pvt. ltd.**

**Registered Office:**

302, Chandralok - A,  
97, Nepeansea Road,  
Mumbai 400006.  
India  
Tel.: +91 22 32656565  
Email: sales@havi.in

**Works:**

32, 34, Blue Chip No.5 Industrial Estate,  
Opp Professional Courier,  
Sativali Road, Vasai (East),  
Thane 401208, Maharashtra,  
India  
Tel.: +91 22 32656565  
Fax: +91 250 3027271  
Email: sales@havi.in

**Website: [www.havi.in](http://www.havi.in)**

**Компания ВСП**

107023, Россия, Москва,  
Семеновская площадь, 1а, 18 этаж  
+7 499 404 0080  
vsp@vsp-co.org

**Website: [www.vsp-co.org](http://www.vsp-co.org)**