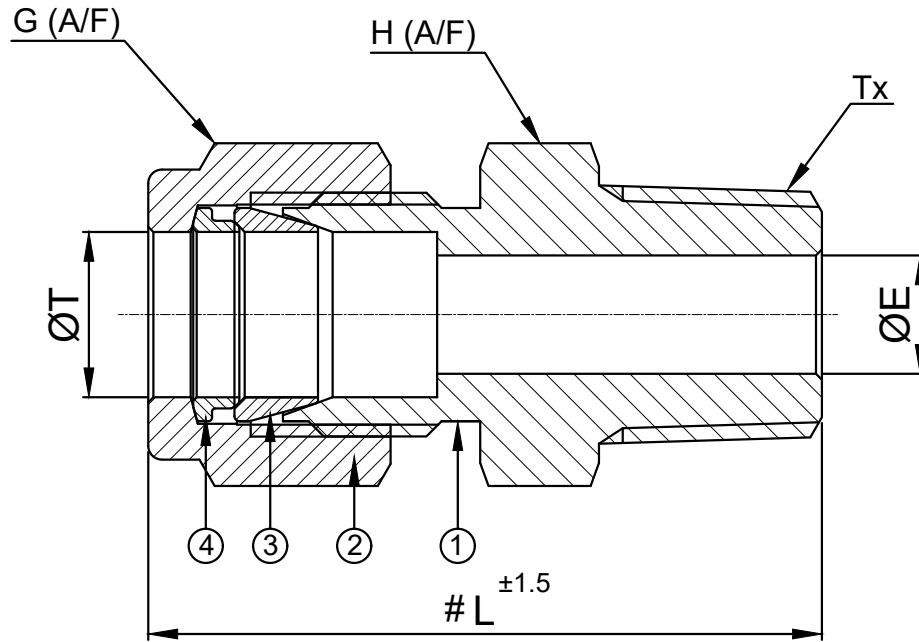



SR NO	DESCRIPTION	QTY	MATERIAL
1	BODY	1	SS316
2	NUT	1	SS316
3	FRONT FERRULE	1	SS316
4	BACK FERRULE	1	SS316



PART NO	ØT	Tx	L	H (A/F)	G (A/F)	ØE
10MMC4N-S6	10mm	1/4" NPT-M	40	17.5(11/16")	19.0(3/4")	7.9

PART NAME : MALE CONNECTOR ODT x NPT-F				CUSTOMER NAME:-			
DWG NO : GA-MC-S6				PROJECT NAME:-			
MATERIAL : AS PER BOM				PO NO: -			
				ENQ NO:-EN2324/0019			
				SO NO: -			
REV NO	DESCRIPTION	SIGN	DATE	<p>* All dimensions are in mm. Dimensions for reference only and are subject to change without notice</p> <p>* This document is the property of Havi Engineering India Pvt. Ltd. No exploitation or release of any text contained herein or relating to this document is permitted in any form without the written consent of HAVI.</p>			
DRAWN BY	PG	06.04.2023					
CHECKED BY	MC	06.04.2023					
APPROVED BY	SRD	06.04.2023		SHEET NO: 01 OF 01			
 www.havi.in info@havi.in				REV NO: 00			
				SCALE: NTS			

NOTE:

- # MARKED DIMENSION IS IN FINGER TIGHT POSITION.
- NPT THREAD AS PER ANSI B 1.20.1.

PATH:-M:\ALL TECH\FITTINGS\CAD\2300-000047\ENG NO-EN23240019