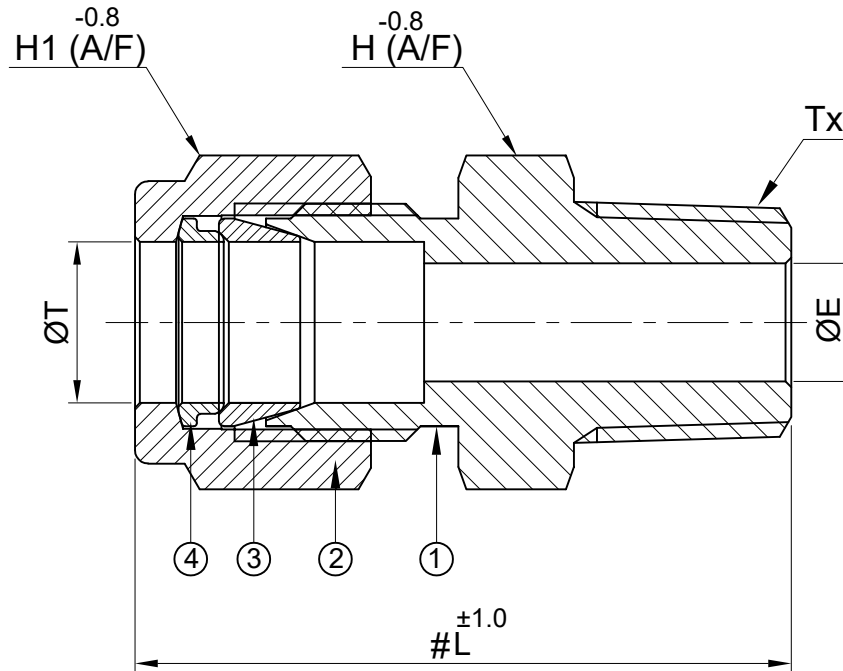



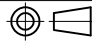
SR NO	DESCRIPTION	QTY	MATERIAL
1	BODY	1	SS 316L
2	NUT	1	SS 316L
3	FRONT FERRULE	1	SS 316L
4	BACK FERRULE	1	SS 316L



PART NO	ØT	Tx	L	H (A/F)	H1(A/F)	ØE
10MMC8N-S6	10mm	1/2" NPT-M	46.0	22.0	19.0	7.9

NOTE:-

- NPT THREAD AS PER ANSI B 1.20.1.
- UNLESS & OTHERWISE SPECIFIED ALL DIMENSIONS ARE IN 'mm'
- # MARKED DIMENSION IS IN FINGER TIGHT POSITION.

 Fittings & Valves info@havi.in www.havi.in A-201, PRIME TRADE CENTER SATIVALI ROAD, VASAI (E), PALGHAR - 401208, MAHARASHTRA, INDIA	PART NAME : MALE CONNECTOR - TUBE OD x NPT-M		CUSTOMER NAME:-	
	DWG NO : - GA-MC-S6		PROJECT NAME:-	
	MATERIAL : - AS PER BOM		END USER NAME :-	
			ENQ NO: EN2223/00036	
		SO NO: -		 SHEET NO: 01 OF 01
				REV NO: 00
				SCALE: NTS

* All dimensions are in mm. Dimensions for reference only and are subject to change without notice
 * This document is the property of Havi Engineering India Pvt. Ltd. No exploitation or release of any text contained herein or relating to this document is permitted in any form without the written consent of HAVI.

PATH:-X:\2022-2023\EXPORT\EN222300036\GAD