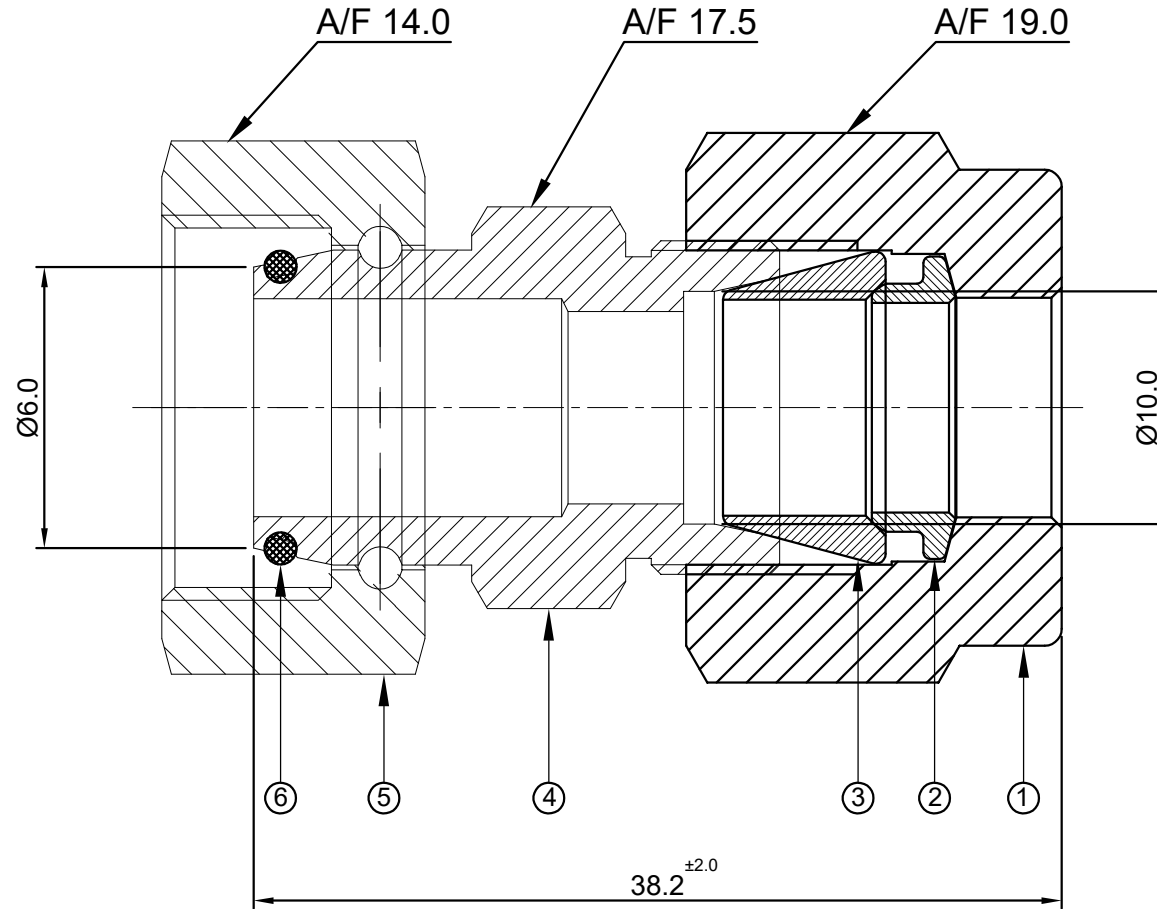


SR NO	DESCRIPTION	QTY	MATERIAL
1	NUT	1	SS 316
2	FRONT FERRULE	1	SS 316
3	BACK FERRULE	1	SS 316
4	BODY	1	SS 316
5	SWIVEL NUT	1	SS 316
6	O-RING	1	VITON



**havi**  
**Fittings & Valves**  
 info@havi.in www.havi.in  
 A-201, PRIME TRADE CENTER  
 SATIVALI ROAD, VASAI (E),  
 PALGHAR - 401208, MAHARASHTRA, INDIA

	SIGN	DATE
DRAWN BY	VK	10.06.2022
CHECKED BY	RW	10.06.2022
APPROVED BY	SM	10.06.2022

PART NAME : Swivel Reducing Adaptor 10mm X 6mm		CUSTOMER NAME:	
DWG NO : - 10MR6MSU-S6		PROJECT NAME & NO:	
MATERIAL :- SS316		ENQ NO:- EN2223/00089	
REV NO		SO NO: -	
DESCRIPTION		SIGN	
		DATE	

ENQ NO:- EN2223/00089		SHEET NO: 01 OF 01	
SO NO: -		REV NO: 00	
		SCALE: NTS	

NOTE:  
 • # MARKED DIMENSION IS IN FINGER TIGHT POSITION.

PATH: -X:\2022-2023\EXPORT\EN222300089\GADU\UPDATED