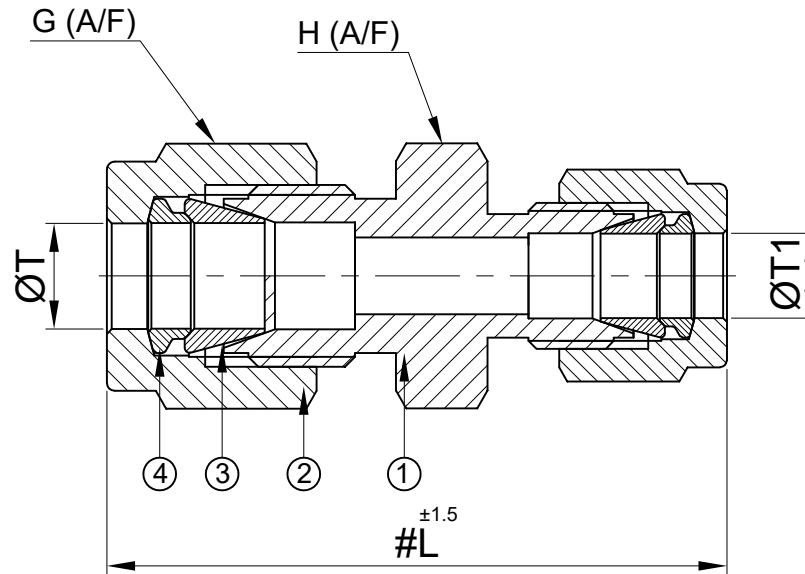


| SR NO | DESCRIPTION | QTY | MATERIAL |
|-------|---------------|-----|----------|
| 1 | BODY | 1 | SS316 |
| 2 | NUT | 2 | SS316 |
| 3 | FRONT FERRULE | 2 | SS316 |
| 4 | BACK FERRULE | 2 | SS316 |



| PART NO | ØT | ØT1 | L | H (A/F) | G (A/F) | ØE |
|------------|------|-----|------|---------|---------|-----|
| 10MRU6M-S6 | 10mm | 6mm | 45.0 | 17.5 | 14.0 | 4.2 |

| | | | | | | | |
|-----------------------------|--|--|--|----------------------|--|--|--|
| PART NAME : UNION ODT x ODT | | | | CUSTOMER NAME:- | | | |
| DWG NO : 10MRU6M-S6 | | | | PROJECT NAME:- | | | |
| MATERIAL : AS PER BOM | | | | PO NO: - | | | |
| REV NO | | | | ENQ NO: EN2223/00089 | | | |
| DESCRIPTION | | | | SHEET NO: 01 OF 01 | | | |
| SIGN | | | | SO NO: - | | | |
| DATE | | | | REV NO: 00 | | | |
| DRAWN BY | | | | SCALE: NTS | | | |
| CHECKED BY | | | | | | | |
| APPROVED BY | | | | | | | |

| | | |
|-------------|------|------------|
| | SIGN | DATE |
| DRAWN BY | RW | 04.05.2022 |
| CHECKED BY | VK | 04.05.2022 |
| APPROVED BY | SM | 04.05.2022 |

havi
Fillings & Valves
www.havi.in
info@havi.in

* All dimensions are in mm. Dimensions for reference only and are subject to change without notice
* This document is the property of Havi Engineering India Pvt. Ltd. No exploitation or release of any text contained herein or relating to this document is permitted in any form without the written consent of HAVI.

NOTE:
• # MARKED DIMENSION IS IN FINGER TIGHT POSITION.