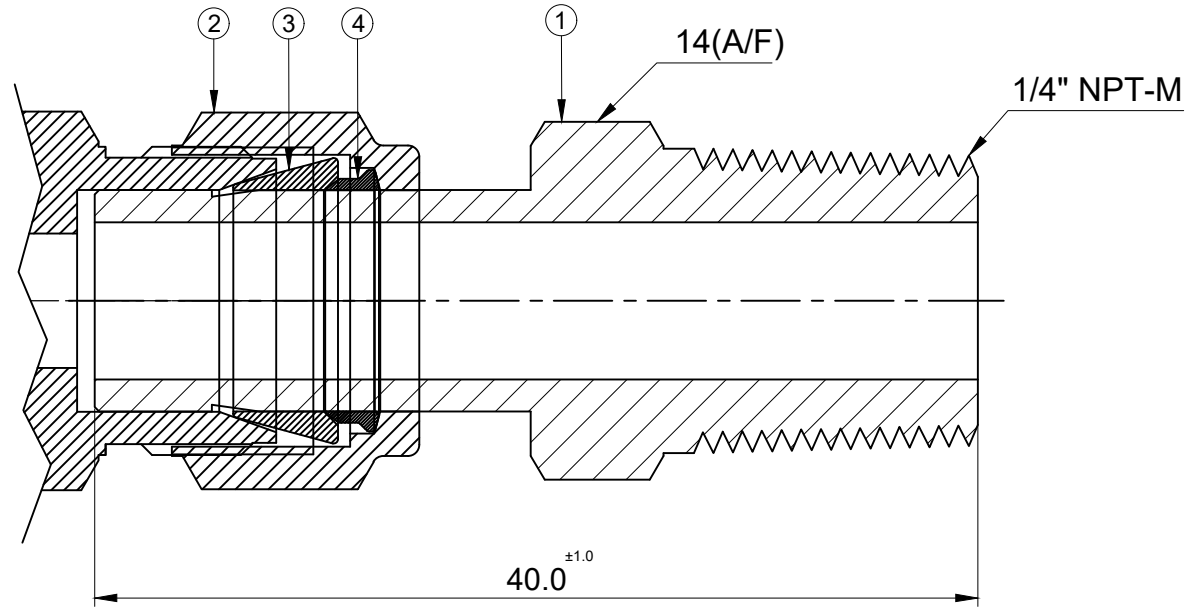

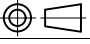


SR NO	DESCRIPTION	QTY	MATERIAL
1	BODY	1	SS 316
2	NUT	1	SS 316
3	FRONT FERRULE	1	SS 316
4	BACK FERRULE	1	SS 316



Temperature Range:- -54°C to 400°C

 havi Fittings & Valves info@havi.in www.havi.in A-201, PRIME TRADE CENTER SATIVALI ROAD, VASAI (E), PALGHAR - 401208, MAHARASHTRA, INDIA	PART NAME : STAND PIPE CONNECTOR 10MMOD X 1/4" NPT-M				CUSTOMER NAME:-					
	DWG NO : - 10MSPC4N-S6				PROJECT NAME:-					
	MATERIAL : - SS316				END USER NAME :-					
					ENQ NO: EN2223/00492					
				SO NO: -				 SHEET NO: 01 OF 01		
DRAWN BY		SB	06.08.2022		* All dimensions are in mm. Dimensions for reference only and are subject to change without notice * This document is the property of Havi Engineering India Pvt. Ltd. No exploitation or release of any text contained herein or relating to this document is permitted in any form without the written consent of HAVI.				REV NO: 00	
CHECKED BY		VK	06.08.2022						SCALE: NTS	
APPROVED BY		SM	06.08.2022							

UNLESS & OTHERWISE SPECIFIED ALL DIMENSIONS ARE IN 'mm'

PATH: -G:\2022-2023\EXPORT\EN22230049\ZGAD

16 15 14 13 12 11 10 9 8 7 6 5 4 3 2 1