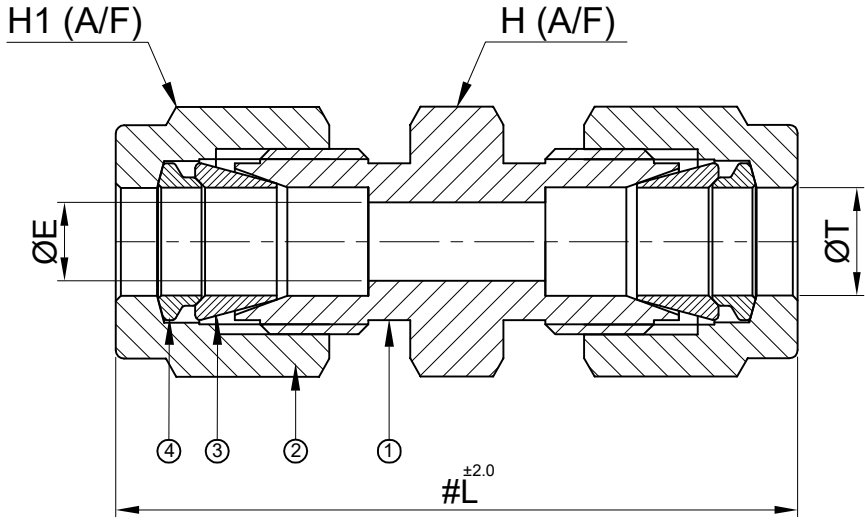


SR NO	DESCRIPTION	QTY	MATERIAL
1	BODY	1	SS 316L
2	NUT	2	SS 316L
3	FRONT FERRULE	2	SS 316L
4	BACK FERRULE	2	SS 316L


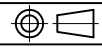


PART NO	ØT	L	H (A/F)	H1(A/F)	ØE
10MU-S6L	10mm	47.0	19.0	19.0	7.9

PATH: -Z:\2022-2023\EXPORT\EN222300475\GAD

NOTE:-

- UNLESS & OTHERWISE SPECIFIED ALL DIMENSIONS ARE IN 'mm'
- # MARKED DIMENSION IS IN FINGER TIGHT POSITION.

 <p>havi Fittings & Valves info@havi.in www.havi.in A-201, PRIME TRADE CENTER SATIVALI ROAD, VASAI (E), PALGHAR - 401208, MAHARASHTRA, INDIA</p>	PART NAME : UNION - TUBE OD x TUBE OD				CUSTOMER NAME:-						
	DWG NO : - GA-U-S6L				PROJECT NAME:-						
	MATERIAL :- AS PER BOM				END USER NAME :-						
					ENQ NO: EN2223/00036						
				SO NO: -				 SHEET NO: 01 OF 01			
DRAWN BY		SB		15.10.2022		* All dimensions are in mm. Dimensions for reference only and are subject to change without notice				REV NO: 00	
CHECKED BY		VK		15.10.2022		* This document is the property of Havi Engineering India Pvt. Ltd. No exploitation or release of any text contained herein or relating to this document is permitted in any form without the written consent of HAVI.				SCALE: NTS	
APPROVED BY		SM		15.10.2022							