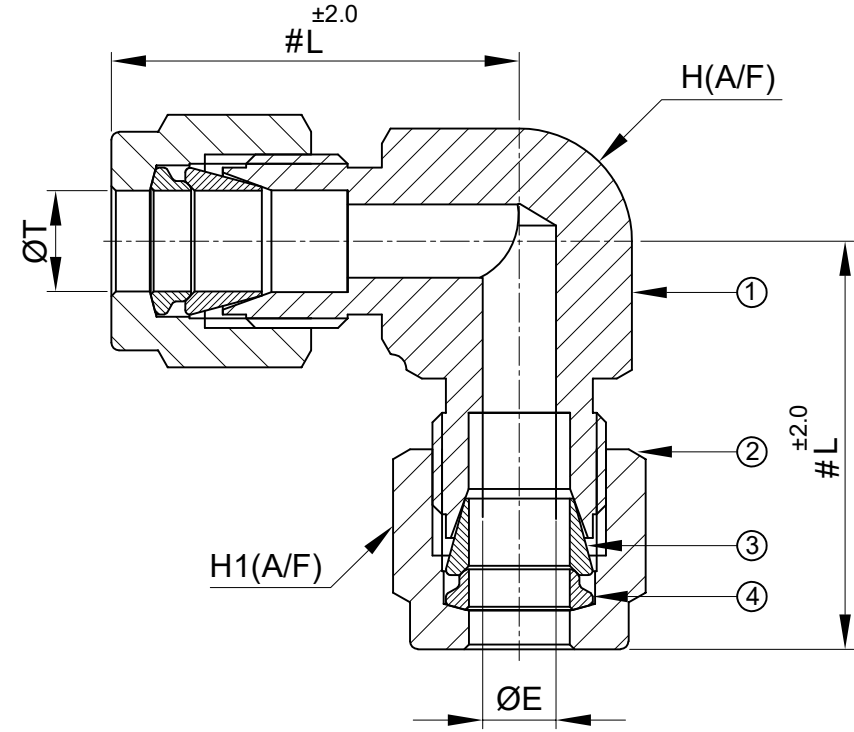


SR NO	DESCRIPTION	QTY	MATERIAL
1	BODY	1	SS 316L
2	NUT	2	SS 316L
3	FRONT FERRULE	2	SS 316L
4	BACK FERRULE	2	SS 316L



SR NO	PART NO	ØT	L	H (A/F)	H1 (A/F)	ØE
3	10MUE-S6L	10mm	33.0	17.5	19.0	7.9

PART NAME :- UNION ELBOW - TUBE OD x TUBE OD				CUSTOMER NAME:-			
DWG NO : GA-UE-S6L				PROJECT NAME:-			
MATERIAL : SS 316L				PO NO:-			
				ENQ NO: EN2223/00538			
				SO NO: -			
REV NO	DESCRIPTION	SIGN	DATE				
<p>* All dimensions are in mm. Dimensions for reference only and are subject to change without notice</p> <p>* This document is the property of Havi Engineering India Pvt. Ltd. No exploitation or release of any text contained herein or relating to this document is permitted in any form without the written consent of HAVI.</p>							
				SHEET NO: 01 OF 01 REV NO: 00 SCALE: NTS			

NOTE:  
 • # MARKED DIMENSION IS IN FINGER TIGHT POSITION.  
 • NPT THREAD AS PER ANSI B 1.20.1.

PATH:- T:\2022-2023\EXPORT\EN222300538