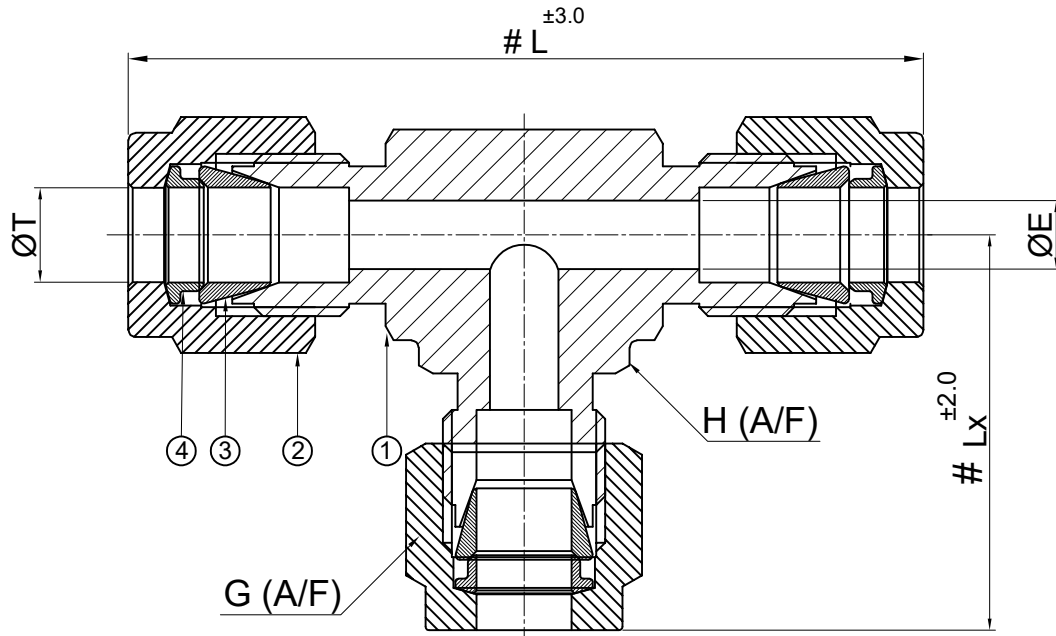


SR NO	DESCRIPTION	QTY	MATERIAL
1	BODY	1	SS 316L
2	NUT	3	SS 316L
3	FRONT FERRULE	3	SS 316L
4	BACK FERRULE	3	SS 316L



Sr.No.	PART NO	ØT	Lx	L	H (A/F)	G (A/F)	ØE
2	10MUT-S6L	10mm	31.5	63.0	17.5	19.0	7.9

PART NAME :- UNION TEE - ODT x ODT x ODT				CUSTOMER NAME:-			
DWG NO : GA-UT-S6L				PROJECT NAME:-			
MATERIAL : AS PER BOM				PO NO:-			
DRAWN BY : VK				ENQ NO: EN2223/00538			
CHECKED BY : SB				SHEET NO: 01 OF 01			
APPROVED BY : SM				SO NO: -			
REV NO	DESCRIPTION	SIGN	DATE	* All dimensions are in mm. Dimensions for reference only and are subject to change without notice			
				* This document is the property of Havi Engineering India Pvt. Ltd. No exploitation or release of any text contained herein or relating to this document is permitted in any form without the written consent of HAVI.			
				REV NO: 00			
				SCALE: NTS			

SIGN	DATE
VK	04.09.2022
SB	04.09.2022
SM	04.09.2022

havi
Fittings & Valves

www.havi.in
info@havi.in

NOTE:
 • # MARKED DIMENSION IS IN FINGER TIGHT POSITION.
 • NPT THREAD AS PER ANSI B 1.20.1.

PATH - T:\2022-2023\EXPORT\EN222300538