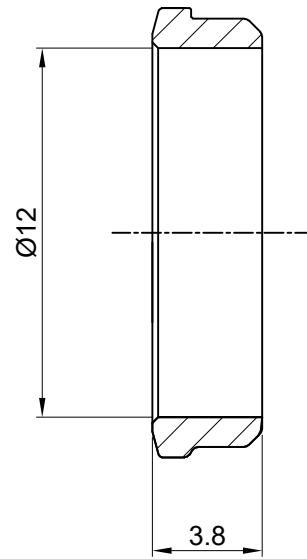
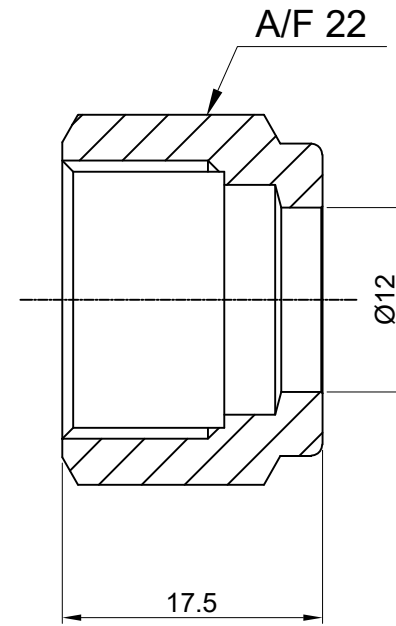


FRONT FERRULE



BACK FERRULE



NUT

- NOTE:
- # MARKED DIMENSION IS IN FINGER TIGHT POSITION.
  - NPT THREAD AS PER ANSI B 1.20.1.

	SIGN	DATE
DRAWN BY	VK	20.12.2022
CHECKED BY	RW	20.12.2022
APPROVED BY	AS	20.12.2022



PART NAME : 12mm Back Ferrule, Front Ferrule & Nut				CUSTOMER NAME:-											
DWG NO : 12MBFFFN-S6				PROJECT NAME:-											
MATERIAL : SS 316				PO NO:-											
				ENQ NO: EN2223/00744											
				SO NO: -											
				SHEET NO: 01 OF 01											
<table border="1"> <thead> <tr> <th>REV NO</th> <th>DESCRIPTION</th> <th>SIGN</th> <th>DATE</th> </tr> </thead> <tbody> <tr> <td> </td> <td> </td> <td> </td> <td> </td> </tr> </tbody> </table>				REV NO	DESCRIPTION	SIGN	DATE					<p>* All dimensions are in mm. Dimensions for reference only and are subject to change without notice            * This document is the property of Havi Engineering India Pvt. Ltd. No exploitation or release of any text contained herein or relating to this document is permitted in any form without the written consent of HAVI.</p>			
REV NO	DESCRIPTION	SIGN	DATE												
				REV NO: 00											
				SCALE: NTS											