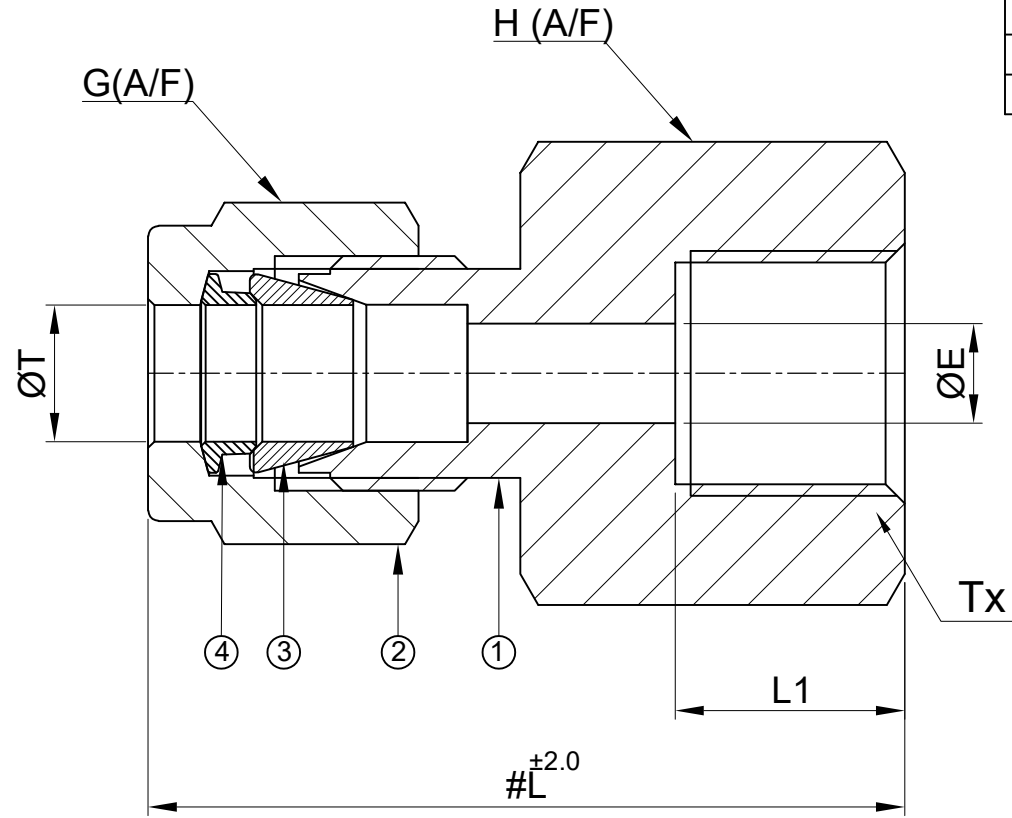


SR NO	DESCRIPTION	QTY	MATERIAL
1	BODY	1	SS 316
2	NUT	1	SS 316
3	FRONT FERRULE	1	SS 316
4	BACK FERRULE	1	SS 316



SR NO	PART NO	T	Tx	L	L1	H (A/F)	G(A/F)	ØE
1	12MFCM20-S6	12mm	M20X1.5	47.5	19.0	27.0	22.0	9.5

PART NAME :- FEMALE CONNECTOR - TUBE OD x Metric				CUSTOMER NAME:-			
DWG NO : GA-FCM-S6				PROJECT NAME:-			
MATERIAL : SS 316				PO NO:-			
DRAWN BY : VK				ENQ NO: EN2223/00744		SHEET NO: 01 OF 01	
CHECKED BY : SB				SO NO: -			
APPROVED BY : SM				REV NO		DESCRIPTION	
SIGN : VK				SIGN		DATE	
DATE : 11.11.2022				* All dimensions are in mm. Dimensions for reference only and are subject to change without notice			
				* This document is the property of Havi Engineering India Pvt. Ltd. No exploitation or release of any text contained herein or relating to this document is permitted in any form without the written consent of HAVI.			
www.havi.in				REV NO: 00			
info@havi.in				SCALE: NTS			

NOTE:  
 • # MARKED DIMENSION IS IN FINGER TIGHT POSITION.  
 • NPT THREAD AS PER ANSI B 1.20.1.

**havi**  
 FILLINGS & VALVES

www.havi.in  
 info@havi.in

PATH: -T:\2022-2023\EXPORT\EN222300744\IGADIR1