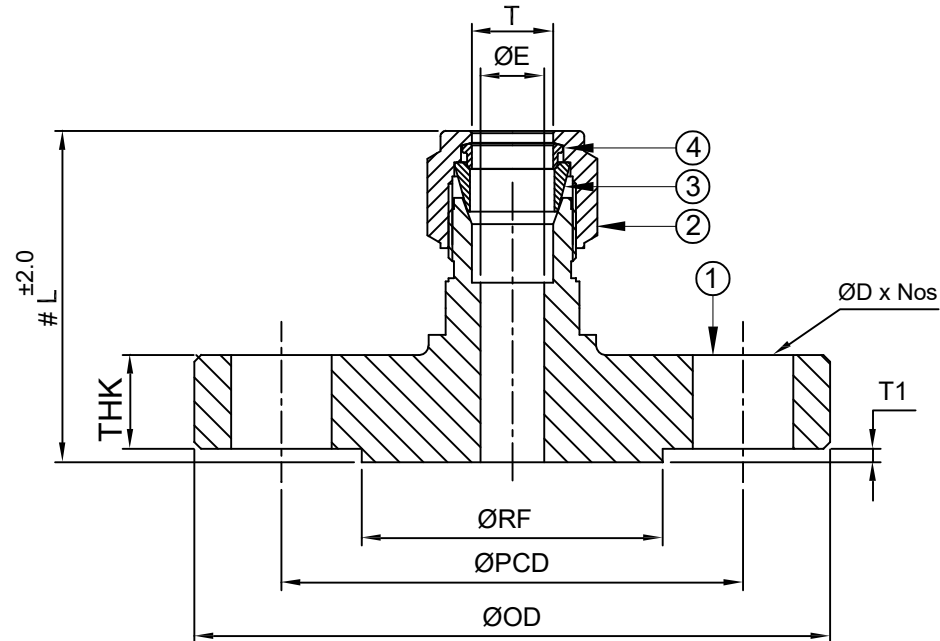


SR NO	DESCRIPTION	QTY	MATERIAL
1	BODY	1	SS 316
2	NUT	1	SS 316
3	FRONT FERRULE	1	SS 316
4	BACK FERRULE	1	SS 316



SR NO	PART NO	FLANGE SIZE	FLANGE RATING	ØOD	ØPCD	ØRF	T1	THK	ØD X Nos	T	ØE	L
1	12MFLADN20PN16	DN 20	PN 16	105	75	58	2	16	Ø14 X 4 Nos	12mm	10.3	52.0

PART NAME : FLANGE ADAPTOR - TUBE OD x FLANGE				CUSTOMER NAME:-			
DWG NO : 12MFLADN20PN16-S6				PROJECT NAME:-			
MATERIAL : SS 316				End User Name:-			
DRAWN BY : VK				SIGNATURE			
CHECKED BY : RW				SIGNATURE			
APPROVED BY : SB				SIGNATURE			
REV NO				DESCRIPTION			
SIGNATURE				DATE			
SO NO: -				SHEET NO: 01 OF 01			
ENQ NO: EN2223/00609				SCALE: NTS			
* All dimensions are in mm. Dimensions for reference only and are subject to change without notice				REV NO: 00			
* This document is the property of Havi Engineering India Pvt. Ltd. No exploitation or release of any text contained herein or relating to this document is permitted in any form without the written consent of HAVI.				SCALE: NTS			

NOTE:
• # MARKED DIMENSION IS IN FINGER TIGHT POSITION.



J
I
H
G
F
E
D
C
B
A

PATH: \\192.168.5.10\ENQUIRIES\2022-2023\EXPORT\EN2223\00609