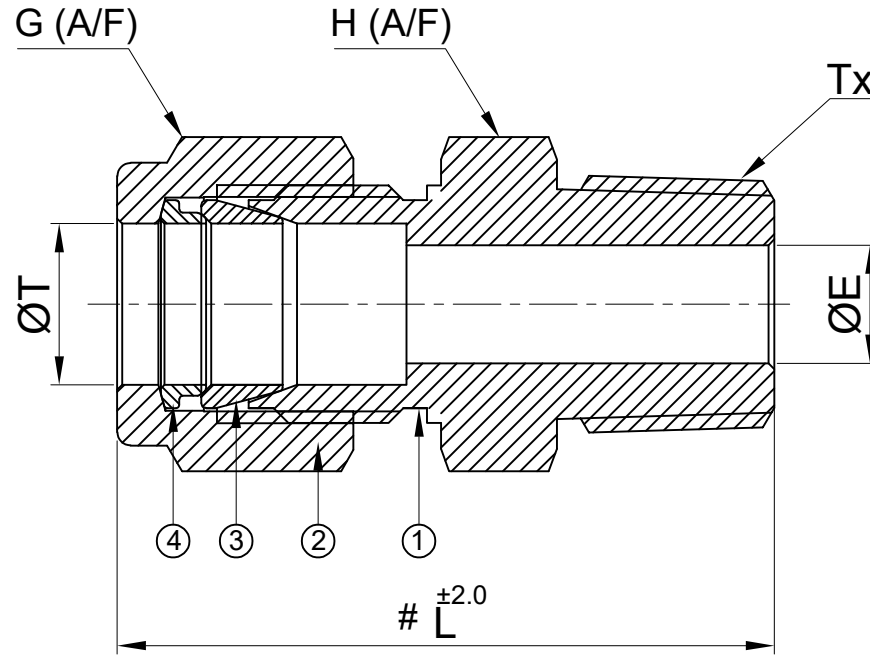


SR NO	DESCRIPTION	QTY	MATERIAL
1	BODY	1	SS 316
2	NUT	1	SS 316
3	FRONT FERRULE	1	SS 316
4	BACK FERRULE	1	SS 316



SR NO	PART NO	T	Tx	L	H (A/F)	G(A/F)	ØE	Pressure Rating (Psig)
10	12MMC8IT-S6	12mm	1/2" BSPT-M	49.0	22.0	22.0	9.5	6000

PATH: Z:\2022-2023\EXPORT\EN222301152\GAD

PART NAME : MALE CONNECTOR - TUBE OD x BSPT Male Threading				CUSTOMER NAME:-			
DWG NO : GA-MCIT-S6				PROJECT NAME:-			
MATERIAL : SS 316				PO NO:-			
DRAWN BY : SB				ENQ NO: EN2223/01152			
CHECKED BY : VK				SHEET NO: 01 OF 01			
APPROVED BY : SD				SO NO: -			
SIGN		DATE		SIGN		DATE	
www.havi.in		info@havi.in		* All dimensions are in mm. Dimensions for reference only and are subject to change without notice		REV NO: 00	
* This document is the property of Havi Engineering India Pvt. Ltd. No exploitation or release of any text contained herein or relating to this document is permitted in any form without the written consent of HAVI.						SCALE: NTS	

NOTE:
• # MARKED DIMENSION IS IN FINGER TIGHT POSITION.

16 15 14 13 12 11 10 9 8 7 6 5 4 3 2 1