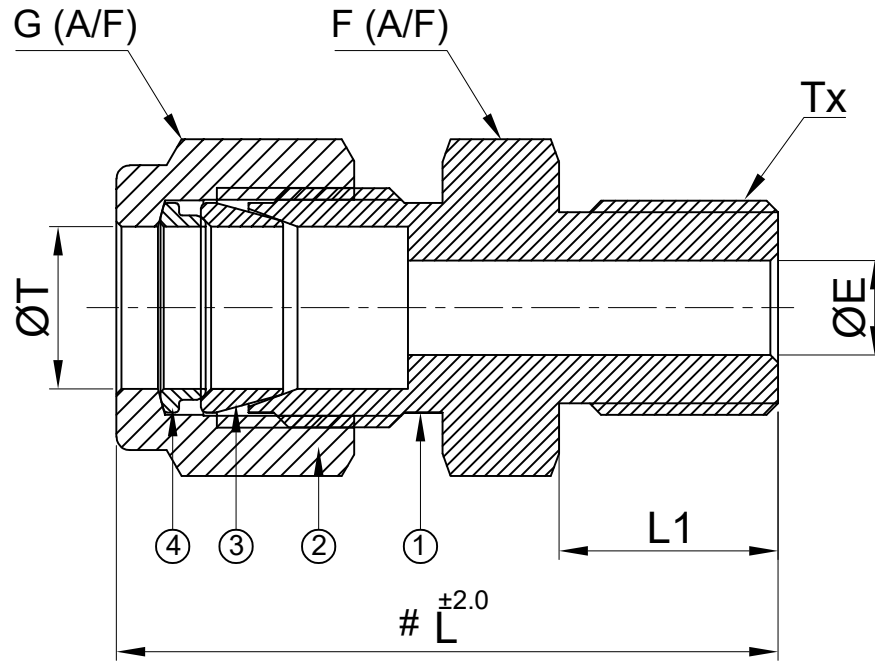



SR NO	DESCRIPTION	QTY	MATERIAL
1	BODY	1	SS 316
2	NUT	1	SS 316
3	FRONT FERRULE	1	SS 316
4	BACK FERRULE	1	SS 316



SR NO	PART NO	ØT	Tx	L	L1	F (A/F)	G (A/F)	ØE
1	12MMCM20-S6	12mm	M20 X 1.5P-M	48.0	19.0	22.0	22.0	9.5

PART NAME : MALE CONNECTOR - TUBE OD x Male Metric Threading				CUSTOMER NAME:-			
DWG NO : GA-MCM-S6				PROJECT NAME:-			
MATERIAL : SS 316				PO NO:-			
DRAWN BY : VK				ENQ NO: EN2223/00744		SHEET NO: 01 OF 01	
CHECKED BY : SB				SO NO: -			
APPROVED BY : SM				REV NO: 00			
REV NO	DESCRIPTION	SIGN	DATE	SCALE: NTS			
* All dimensions are in mm. Dimensions for reference only and are subject to change without notice							
* This document is the property of Havi Engineering India Pvt. Ltd. No exploitation or release of any text contained herein or relating to this document is permitted in any form without the written consent of HAVI.							

	SIGN	DATE
DRAWN BY	VK	11.11.2022
CHECKED BY	SB	11.11.2022
APPROVED BY	SM	11.11.2022


havi
 Fillings & Valves

www.havi.in
info@havi.in

- NOTE:
- # MARKED DIMENSION IS IN FINGER TIGHT POSITION.
 - NPT THREAD AS PER ANSI B 1.20.1.