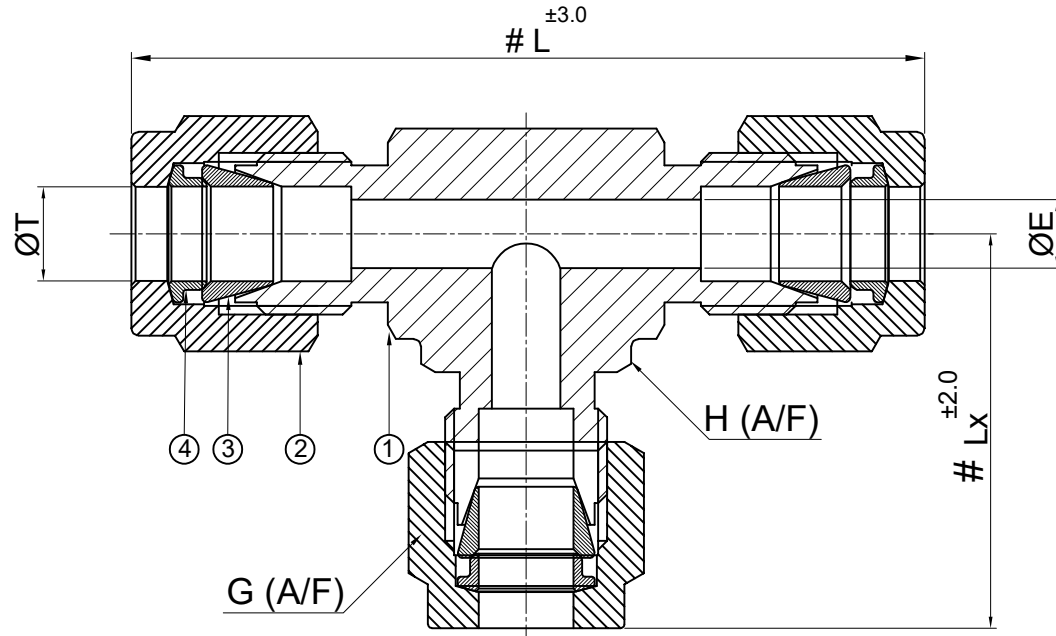


SR NO	DESCRIPTION	QTY	MATERIAL
1	BODY	1	SS 316
2	NUT	3	SS 316
3	FRONT FERRULE	3	SS 316
4	BACK FERRULE	3	SS 316



Sr.No.	PART NO	ØT	Lx	L	H (A/F)	G (A/F)	ØE
1	12MUT-S6	12mm	37.5	75.0	20.5	22.0	9.5

PART NAME :- UNION TEE - ODT x ODT x ODT				CUSTOMER NAME:-			
DWG NO : GA-UT-S6				PROJECT NAME:-			
MATERIAL : SS 316				PO NO:-			
				ENQ NO: EN2223/00744			
				SO NO: -			
REV NO	DESCRIPTION	SIGN	DATE				
<p>* All dimensions are in mm. Dimensions for reference only and are subject to change without notice</p> <p>* This document is the property of Havi Engineering India Pvt. Ltd. No exploitation or release of any text contained herein or relating to this document is permitted in any form without the written consent of HAVI.</p>							
				SHEET NO: 01 OF 01 REV NO: 00 SCALE: NTS			

NOTE:  
 • # MARKED DIMENSION IS IN FINGER TIGHT POSITION.  
 • NPT THREAD AS PER ANSI B 1.20.1.

PATH: -X:\2022-2023\EXPORT\EN2223\00744\IGAD\RI