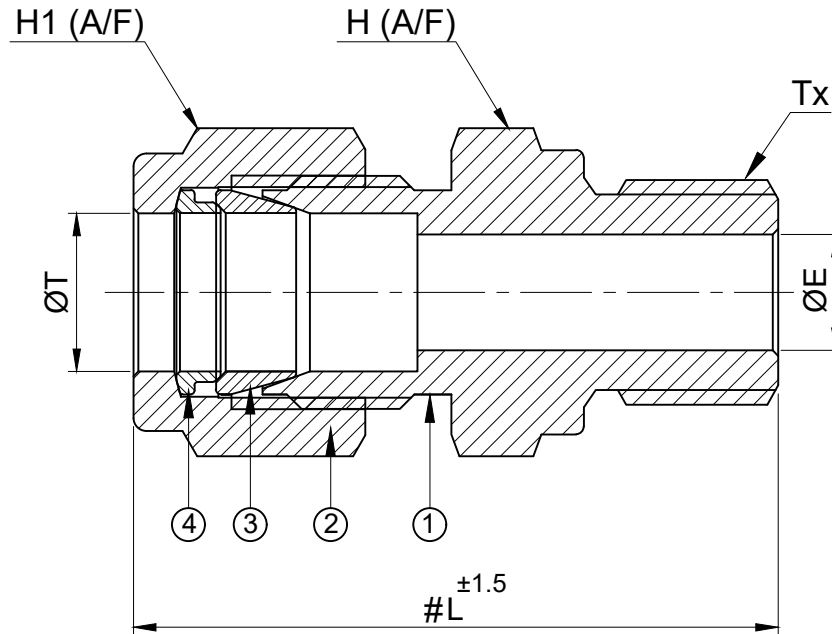


SR NO	DESCRIPTION	QTY	MATERIAL
1	BODY	1	SS 316
2	NUT	1	SS 316
3	FRONT FERRULE	1	SS 316
4	BACK FERRULE	1	SS 316



PART NO	ØT	Tx	L	H (A/F)	H1(A/F)	ØE
14MMC6IPS-S6	14mm	3/8" BSPP(RS)	44.6	25.0	25.0	9.5

NOTE:-

- UNLESS & OTHERWISE SPECIFIED ALL DIMENSIONS ARE IN 'mm'
- # MARKED DIMENSION IS IN FINGER TIGHT POSITION.

havi
Fittings & Valves
info@havi.in www.havi.in
A-201, PRIME TRADE CENTER
SATIVALI ROAD, VASAI (E),
PALGHAR - 401208, MAHARASHTRA, INDIA

	SIGN	DATE
DRAWN BY	SB	15.10.2022
CHECKED BY	VK	15.10.2022
APPROVED BY	SM	15.10.2022

PART NAME :
MALE CONNECTOR - 14mm TUBE OD x 3/8" BSPP(RS)
DWG NO : - 14MMC6IPS-S6
MATERIAL : - AS PER BOM

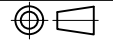
CUSTOMER NAME:-

PROJECT NAME:-

END USER NAME :-

ENQ NO: EN2223/00475

SO NO: -



SHEET NO:
01 OF 01

REV NO: 00

SCALE: NTS

* All dimensions are in mm. Dimensions for reference only and are subject to change without notice
* This document is the property of Havi Engineering India Pvt. Ltd. No exploitation or release of any text contained herein or relating to this document is permitted in any form without the written consent of HAVI.

16 15 14 13 12 11 10 9 8 7 6 5 4 3 2 1