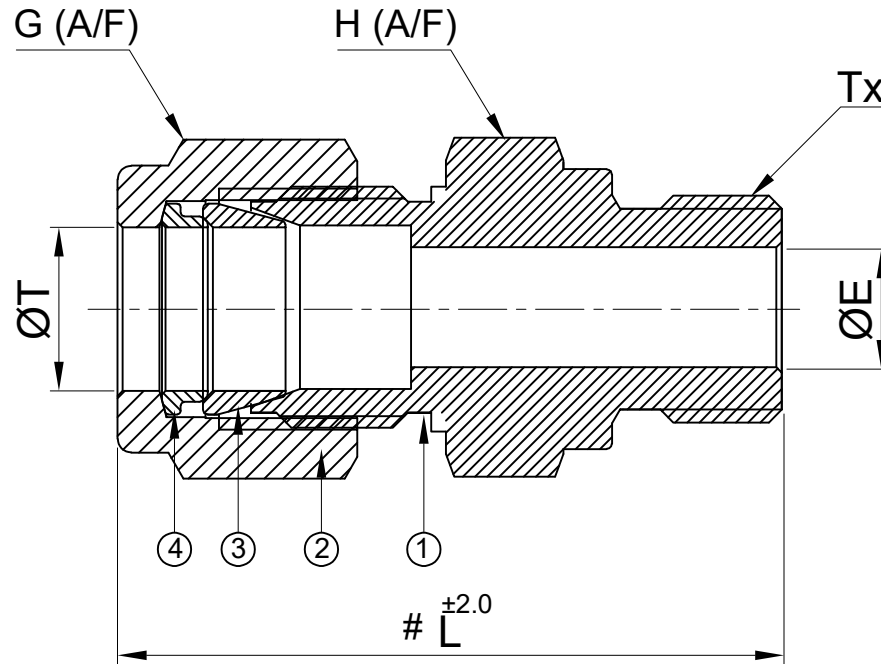

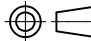


SR NO	DESCRIPTION	QTY	MATERIAL
1	BODY	1	SS 316
2	NUT	1	SS 316
3	FRONT FERRULE	1	SS 316
4	BACK FERRULE	1	SS 316



SR NO	PART NO	T	Tx	L	H (A/F)	G(A/F)	ØE	Pressure Rating (Psig)
4	14MMC8IPS-S6	14mm	1/2" BSPP-M	48.6	27.0	25(1")	11.1	3000

PART NAME : MALE CONNECTOR - TUBE OD x BSPP Male Threading; Form A				CUSTOMER NAME:-			
DWG NO : GA-MCIPS-S6				PROJECT NAME:-			
MATERIAL : SS 316				PO NO:-			
DRAWN BY SB 13.01.2023				ENQ NO: EN2223/01152			
CHECKED BY VK 13.01.2023				SHEET NO: 01 OF 01			
APPROVED BY SD 13.01.2023				SO NO: -			
 www.havi.in info@havi.in		* All dimensions are in mm. Dimensions for reference only and are subject to change without notice * This document is the property of Havi Engineering India Pvt. Ltd. No exploitation or release of any text contained herein or relating to this document is permitted in any form without the written consent of HAVI.				REV NO: 00 SCALE: NTS	

NOTE:
• # MARKED DIMENSION IS IN FINGER TIGHT POSITION.