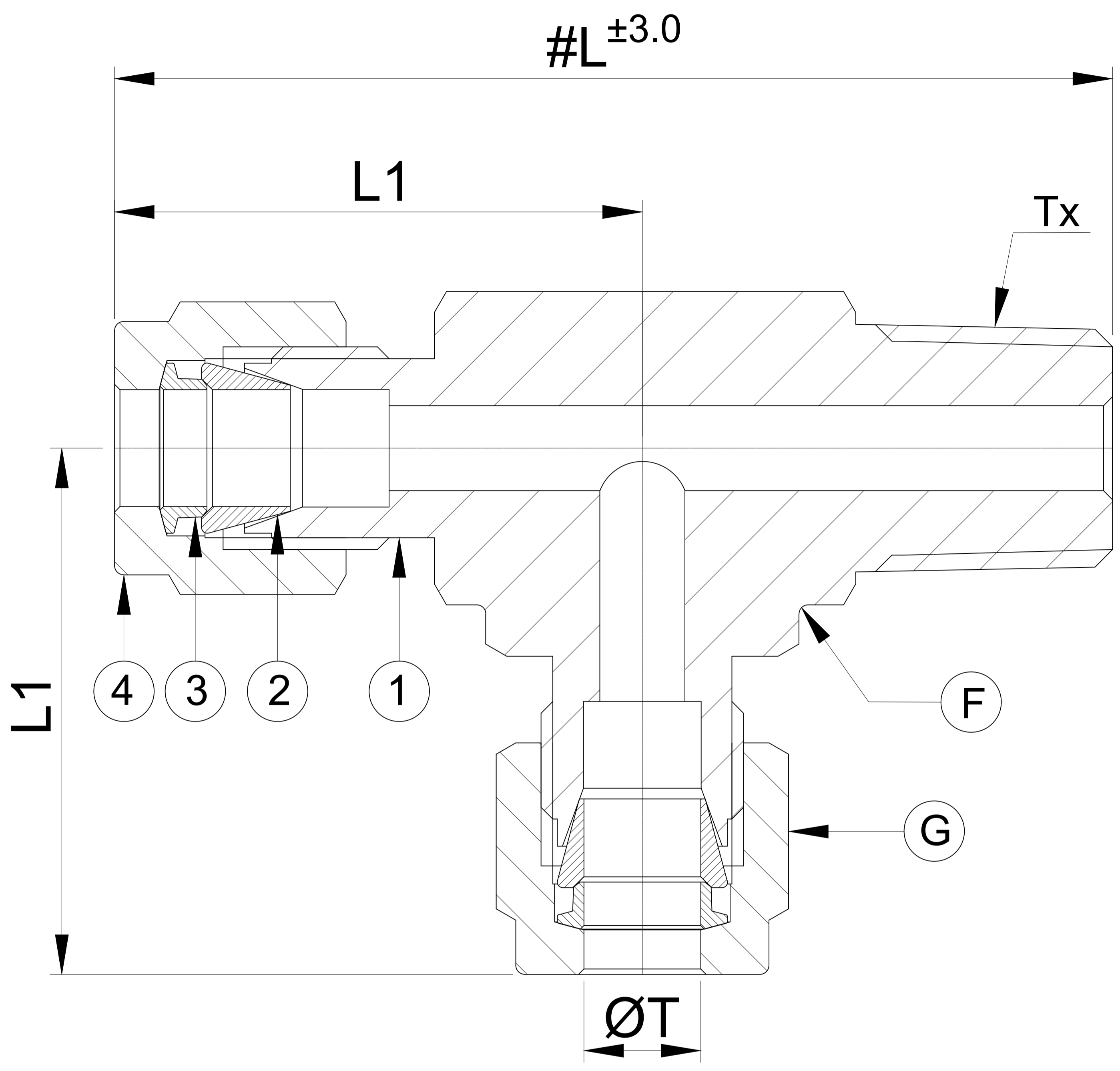


Sr No.	Part Name	Material	Qty
1	Body	SS 316	1
2	Front Ferrule	SS 316	2
3	Back Ferrule	SS 316	2
4	Nut	SS 316	2



Sr No.	Part Name	L	L1	ØT	F	G	Tx	Qty
1	14MMRT12IPS-S6	89.0	46.0	11.1	35.0 / 36.0	25.0 / (1")	3/4" BSPP-M	1

**TECHNICAL DETAILS:**

- MWT : -192 Deg C To 649 Deg C
- Unspecified Hex Size Tolerance as per IS-3469 PART 2



PART NAME : 14mm ODT x 3/4" BSPP Male Run Tee		CUSTOMER NAME:	
DWG NO : - 14MMRT12IPS-S6		PROJECT NAME & NO:	
MATERIAL : - AS PER BOM		ENQ NO:EN2324/00439	
REV NO		SIGN	
DESCRIPTION		DATE	
DRAWN BY		SIGN	
CHECKED BY		DATE	
APPROVED BY		DATE	
SO NO: -		SHEET NO: 01 OF 01	
* All dimensions are in mm. Dimensions for reference only and are subject to change without notice		REV NO: 00	
* This document is the property of Havi Engineering India Pvt. Ltd. No exploitation or release of any text contained herein or relating to this document is permitted in any form without the written consent of HAVI.		SCALE: NTS	

PATH: -X:\2023-2024\EXPORT\EN232400439\GAD