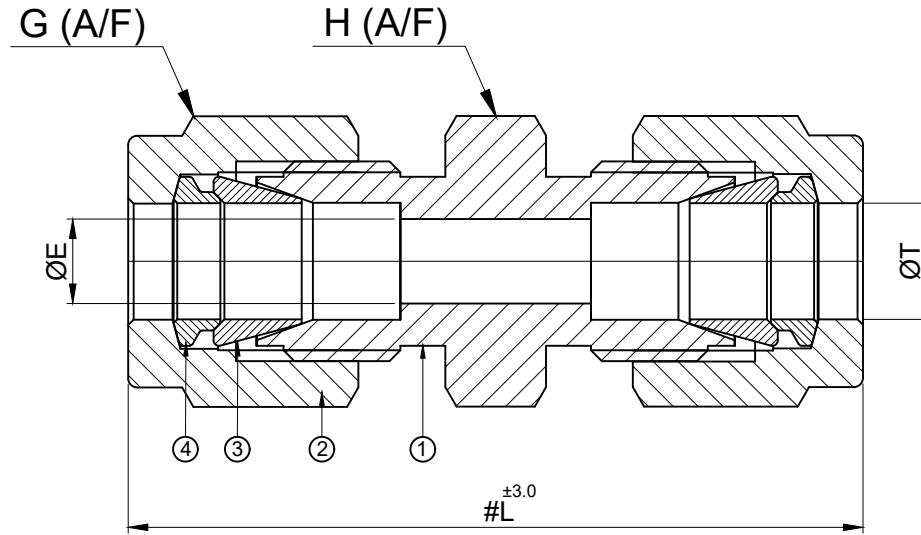


SR NO	DESCRIPTION	QTY	MATERIAL
1	BODY	1	SS 316
2	NUT	2	SS 316
3	FRONT FERRULE	2	SS 316
4	BACK FERRULE	2	SS 316



SR NO	PART NO	ØT	L	H (A/F)	G (A/F)	ØE
03	14MU-S6	14mm	53.2	25.0	25.0	11.7

PART NAME : Union - TUBE OD x TUBE OD				CUSTOMER NAME:-			
DWG NO : GA-MU-S6				PROJECT NAME:-			
MATERIAL : AS PER BOM				ENQ NO:			
DRAWN BY : PG				SIGN : _____			
CHECKED BY : MC				DATE : 27-03-2023			
APPROVED BY : SRD				DATE : 27-03-2023			
REV NO				DESCRIPTION			
SIGN				DATE			
SO NO: -				SHEET NO: 01 OF 01			
PO NO: -14041771				REV NO: 00			
SCALE: NTS							

DRAWN BY	SIGN	DATE
CHECKED BY	MC	27-03-2023
APPROVED BY	SRD	27-03-2023



\* All dimensions are in mm. Dimensions for reference only and are subject to change without notice  
 \* This document is the property of Havi Engineering India Pvt. Ltd. No exploitation or release of any text contained herein or relating to this document is permitted in any form without the written consent of HAVI.

NOTE:  
 • # MARKED DIMENSION IS IN FINGER TIGHT POSITION.  
 • NPT THREAD AS PER ANSI B 1.20.1.

PATH: C:\USERS\DESIGN\3\DESKTOP\MANGESHPO NO14041771