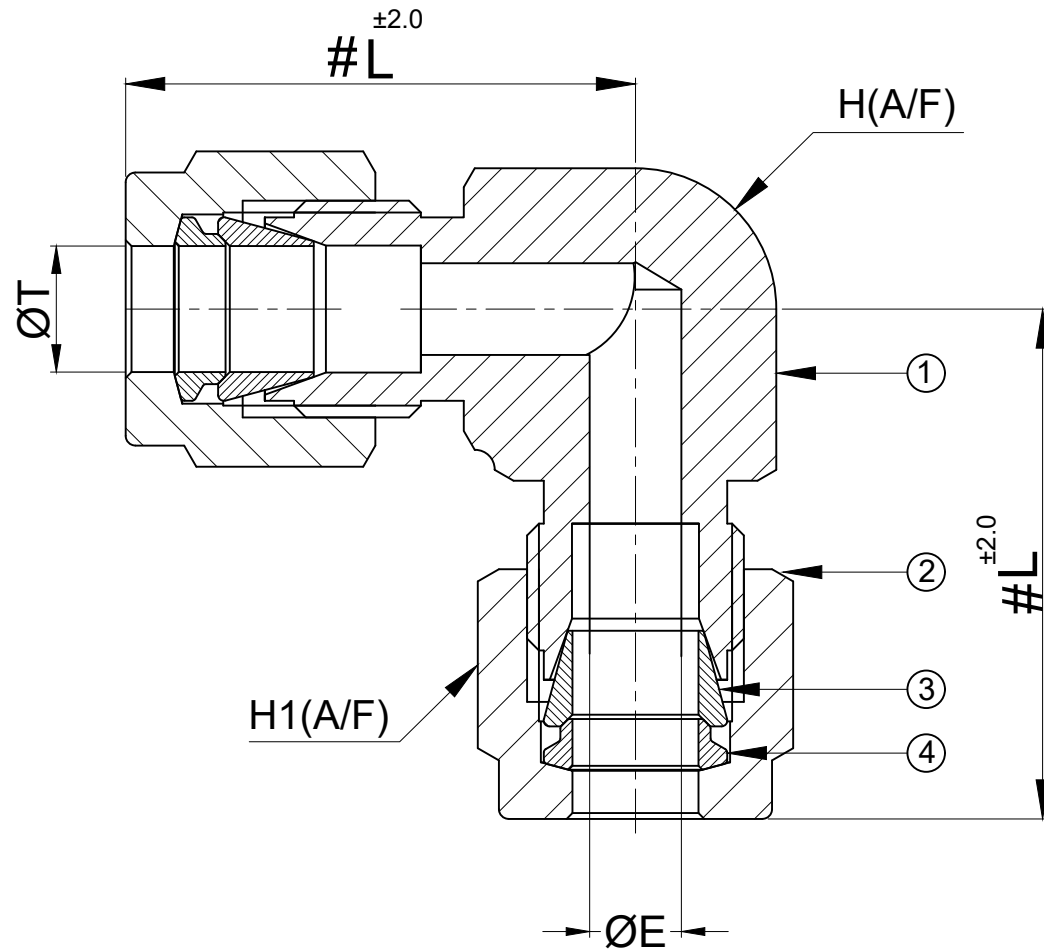


SR NO	PART NO	T	L	H (A/F)	H1(A/F)	ØE
1	14MUE-S6	14MM	38.5	24(15/16")	25	11.1




SR NO	DESCRIPTION	QTY	MATERIAL
1	BODY	1	SS 316
2	NUT	2	SS 316
3	FRONT FERRULE	2	SS 316
4	BACK FERRULE	2	SS 316

NOTE:-

NPT THREAD AS PER ANSI B 1.20.1.

MARKED DIMENSION IS IN FINGER TIGHT POSITION.

PART NAME : UNION ELBOW - TUBE OD x TUBE OD				CUSTOMER NAME:-			
DWG NO : GA-MUE-S6				PROJECT NAME:-			
MATERIAL : SS 316				PO NO:			
				ENQ NO:- EN2223/01092			
				SO NO:			
				SHEET NO: 01 OF 01			
REV NO		DESCRIPTION		SIGN		DATE	
<p>* All dimensions are in mm. Dimensions for reference only and are subject to change without notice * This document is the property of Havi Engineering India Pvt. Ltd. No exploitation or release of any text contained herein or relating to this document is permitted in any form without the written consent of HAVI.</p>							
							
www.havi.in info@havi.in							
REV NO: 00							
SCALE: NTS							

PATH: J:\2022-2023\EXPORT\EN222301092