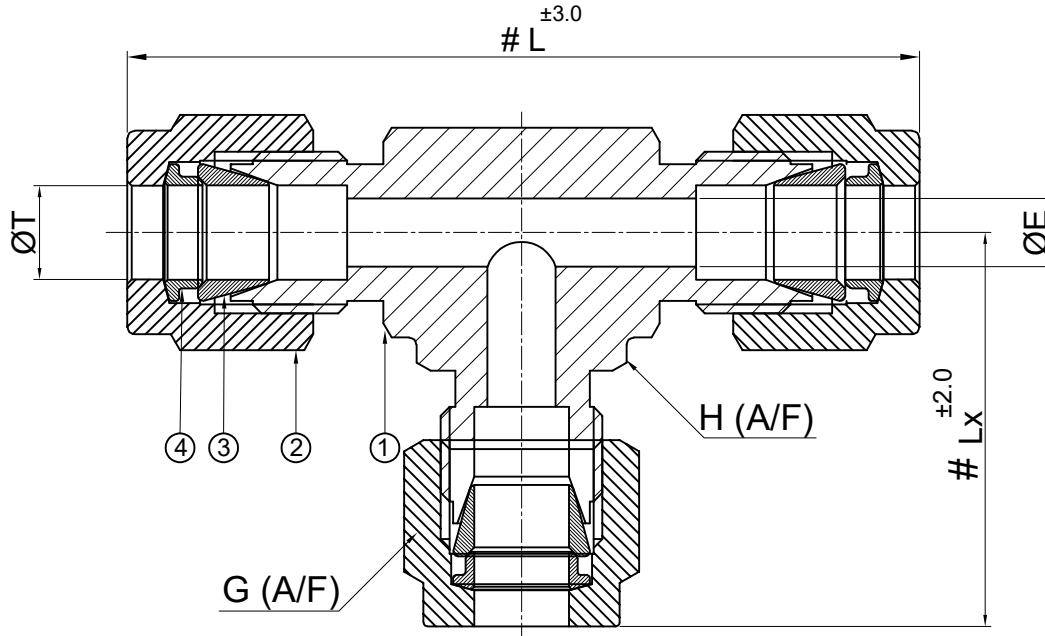


SR NO	DESCRIPTION	QTY	MATERIAL
1	BODY	1	SS 316
2	NUT	3	SS 316
3	FRONT FERRULE	3	SS 316
4	BACK FERRULE	3	SS 316



Sr.No.	PART NO	ØT	Lx	L	H (A/F)	G (A/F)	ØE	Pressure Rating (Psig)	Temperature Range
1	14MUT-S6-N	14mm	40.7	81.4	27.0	25.0	11.7	3000 Psig	-192°C to 649°C

PART NAME :- UNION TEE - ODT x ODT x ODT				CUSTOMER NAME:-			
DWG NO : GA-UT-S6-N				PROJECT NAME:-			
MATERIAL : SS 316				PO NO:-			
DRAWN BY : VK				ENQ NO: EN2223/01201		SHEET NO: 01 OF 01	
CHECKED BY : SB				SO NO: -			
APPROVED BY : SD				REV NO		DESCRIPTION	
SIGN				SIGN		DATE	
DATE				* All dimensions are in mm. Dimensions for reference only and are subject to change without notice			
www.havi.in				* This document is the property of Havi Engineering India Pvt. Ltd. No exploitation or release of any text contained herein or relating to this document is permitted in any form without the written consent of HAVI.			
info@havi.in				REV NO: 00			
havi				SCALE: NTS			
Fillings & Valves							

- NOTE:
- # MARKED DIMENSION IS IN FINGER TIGHT POSITION.
  - NPT THREAD AS PER ANSI B 1.20.1.

DRAWN BY	VK	30.01.2023
CHECKED BY	SB	30.01.2023
APPROVED BY	SD	30.01.2023