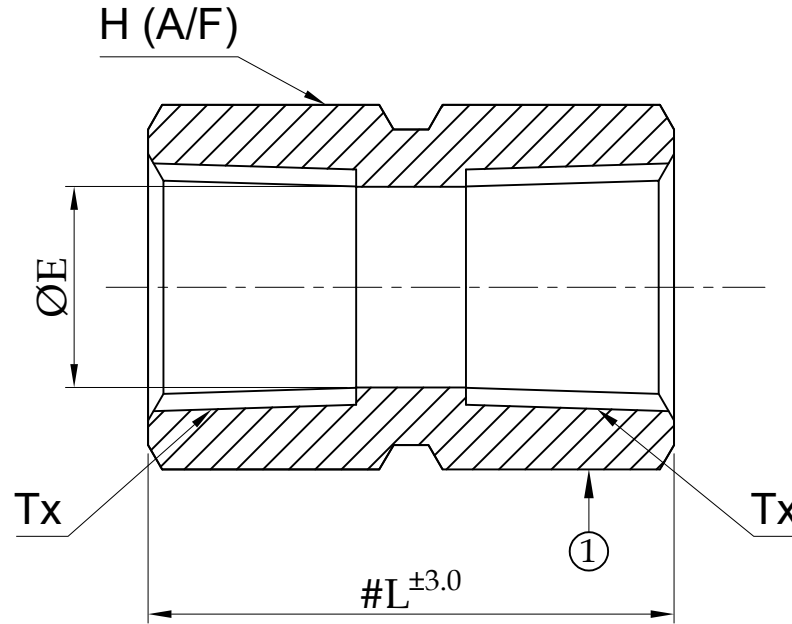


Qty: 3


SR No.	DESCRIPTION	MATERIAL	QTY.
01	BODY	SS 316	01



SR No.	PART NAME	T _x	#L ±3.0	ØE	H (A/F)
05	16NHC-S6	1" NPT-F	52.0	29.2	42.0/(1-5/8")

Technical Data:-

- M.W.T.: -192°C To +649°C
- M.W.P.: 6000psig @ 100° F
- # Marked Dimension is in Finger Tight Position.
- Unless & Otherwise Specified All Dimensions are in 'mm'

 Fittings & Valves info@havi.in www.havi.in A-201, PRIME TRADE CENTER SATIVALI ROAD, VASAI (E), PALGHAR - 401208, MAHARASHTRA, INDIA	PART NAME : HEX COUPLING				CUSTOMER NAME : VSP				
	DWG NO : GA-NHC-S6				PROJECT NAME & NO:				
	MATERIAL : SS 316				ENQ NO:- EN2324/00930				
					PO NO :- VSP-14041841				
				SO NO: SO2324/00370		SHEET NO: 05 OF 05			
DRAWN BY: BKR		08-03-2024		* All dimensions are in mm. Dimensions for reference only and are subject to change without notice * This document is the property of Havi Engineering India Pvt. Ltd. No exploitation or release of any text contained herein or relating to this document is permitted in any form without the written consent of HAVI.				REV NO: 00	
CHECKED BY: PDG		08-03-2024						SCALE: NTS	
APPROVED BY: SRD		08-03-2024							

PATH:-G:\FY 2023-24\SO-0370\GAD