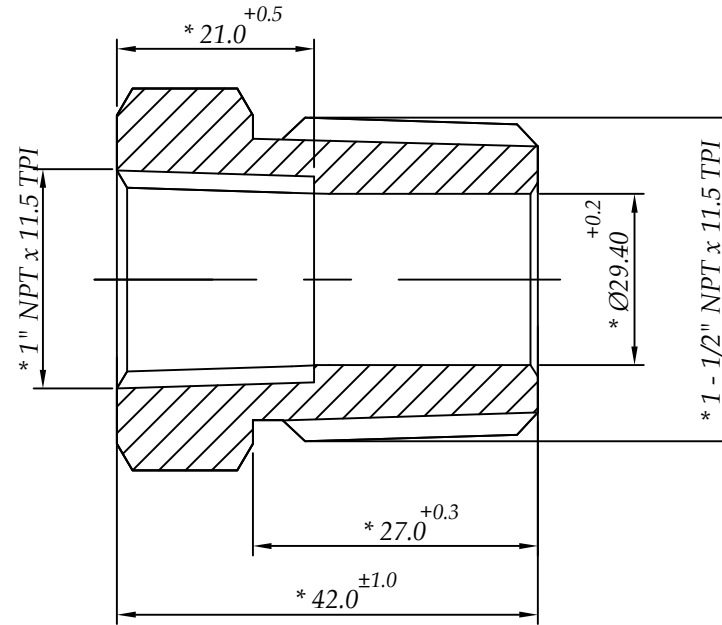
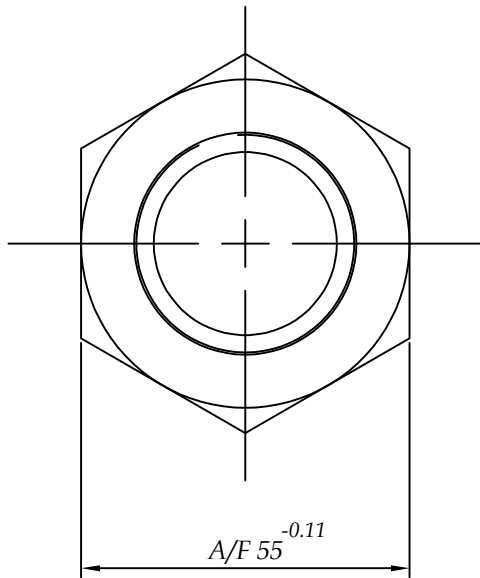


SR NO	QTY
03	10



NOTE:-  
# NPT THREAD AS PER ANSI B 1.20.1.

	SIGN	DATE
DRAWN BY	PG	13-06-2023
CHECKED BY	VM	13-06-2023
APPROVED BY	SRD	13-06-2023



PART NAME :  
REDUCING BUSHING SIZE : 1-1/2"NPT(M) x 1"NPT(F)  
DWG NO : 16 NRB 24N B  
MATERIAL : SS 316

CUSTOMER NAME:-VSP Company

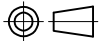
PROJECT NAME:-

END USER NAME:

ENQ NO: EN2324/00046

SHEET NO:  
01 OF 01

SO NO: SO2324/00053



\* All dimensions are in mm. Dimensions for reference only and are subject to change without notice  
\* This document is the property of Havi Engineering India Pvt. Ltd. No exploitation or release of any text contained herein or relating to this document is permitted in any form without the written consent of HAVI.

REV NO: 00

SCALE: NTS