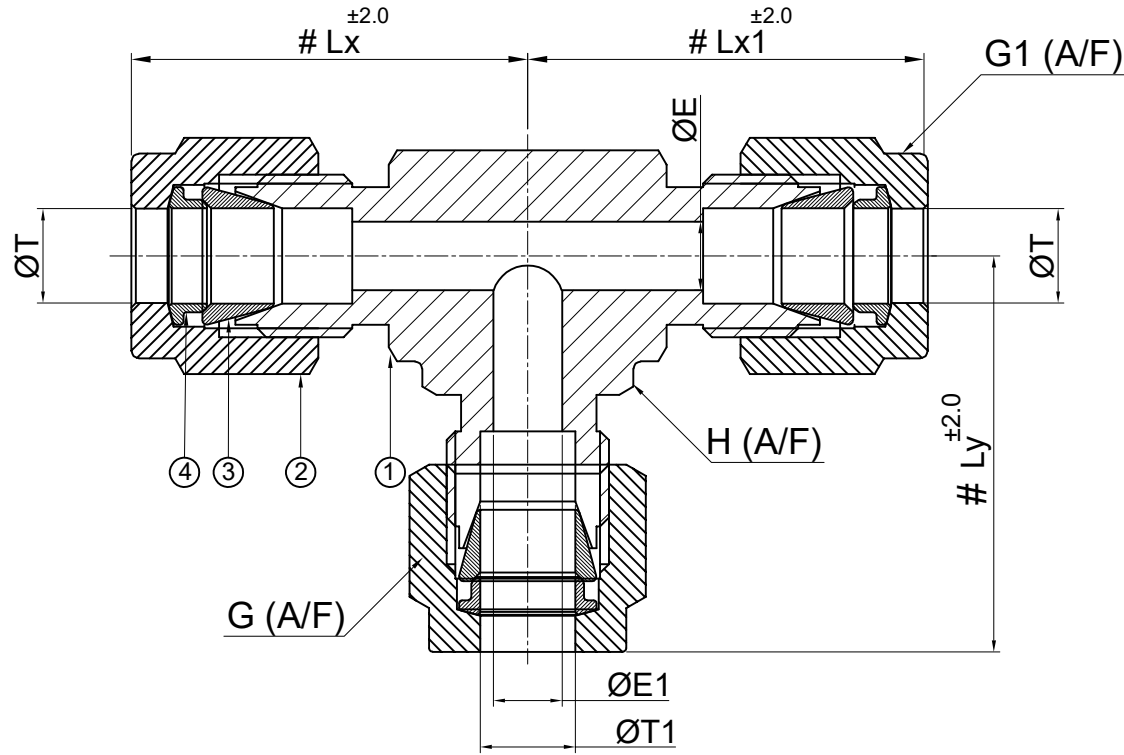



SR NO	DESCRIPTION	QTY	MATERIAL
1	BODY	1	SS 316
2	NUT	3	SS 316
3	FRONT FERRULE	3	SS 316
4	BACK FERRULE	3	SS 316



Sr.No.	PART NO	ØT	ØT1	Lx	Lx1	Ly	H (A/F)	G (A/F)	G1 (A/F)	ØE	ØE1	Pressure Rating(psig)
1	18MRUBT12M-S6	18mm	12mm	40.0	40.0	39.7	27.0	22.0	32.0	15.1	9.5	3000

PART NAME :- REDUCING UNION BRANCH TEE ODT X ODT X ODT				CUSTOMER NAME:-			
DWG NO : GA-RUBT-S6				PROJECT NAME:-			
MATERIAL : SS 316				PO NO:-			
DRAWN BY SP 14.01.2023				ENQ NO: EN2223/01129			
CHECKED BY VK 14.01.2023				SHEET NO: 01 OF 01			
APPROVED BY SRD 14.01.2023				SO NO: -			
REV NO	DESCRIPTION	SIGN	DATE	* All dimensions are in mm. Dimensions for reference only and are subject to change without notice			
				* This document is the property of Havi Engineering India Pvt. Ltd. No exploitation or release of any text contained herein or relating to this document is permitted in any form without the written consent of HAVI.			
 <a href="http://www.havi.in">www.havi.in</a> <a href="mailto:info@havi.in">info@havi.in</a>				REV NO: 00			
				SCALE: NTS			

NOTE:  
 • # MARKED DIMENSION IS IN FINGER TIGHT POSITION.  
 • NPT THREAD AS PER ANSI B 1.20.1.

PATH-X:\2022-2023\EXPORT\EN222301129\GAD