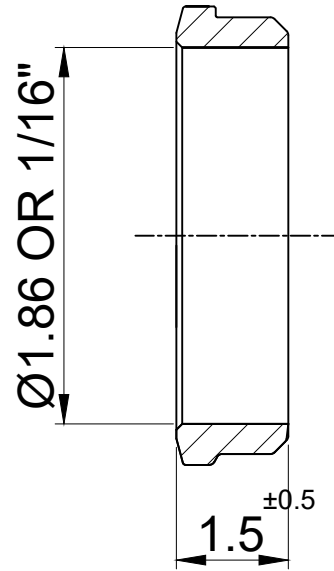
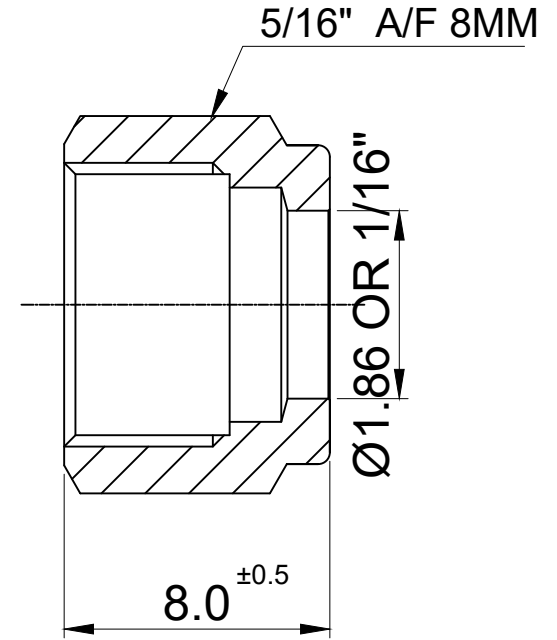


FRONT FERRULE



BACK FERRULE



NUT

NOTE:
 • # MARKED DIMENSION IS IN FINGER TIGHT POSITION.
 • NPT THREAD AS PER ANSI B 1.20.1.

	SIGN	DATE
DRAWN BY	PG	08-05-2023
CHECKED BY	VM	08-05-2023
APPROVED BY	SRD	08-05-2023



www.havi.in
 info@havi.in

PART NAME : 1/16" Back Ferrule, Front Ferrule & Nut				CUSTOMER NAME:-	
DWG NO : 1BFFFN-S6				PROJECT NAME:-	
MATERIAL : SS 316				PO NO:-	
				ENQ NO : EN2324/00023	
				SHEET NO: 01 OF 01	
				SO NO: -	
REV NO	DESCRIPTION	SIGN	DATE		
* All dimensions are in mm. Dimensions for reference only and are subject to change without notice					
* This document is the property of Havi Engineering India Pvt. Ltd. No exploitation or release of any text contained herein or relating to this document is permitted in any form without the written consent of HAVI.					
				REV NO: 00	
				SCALE: NTS	

PATH: J:\2023-2024\EXPORT\EN232400023\EN232400023R0