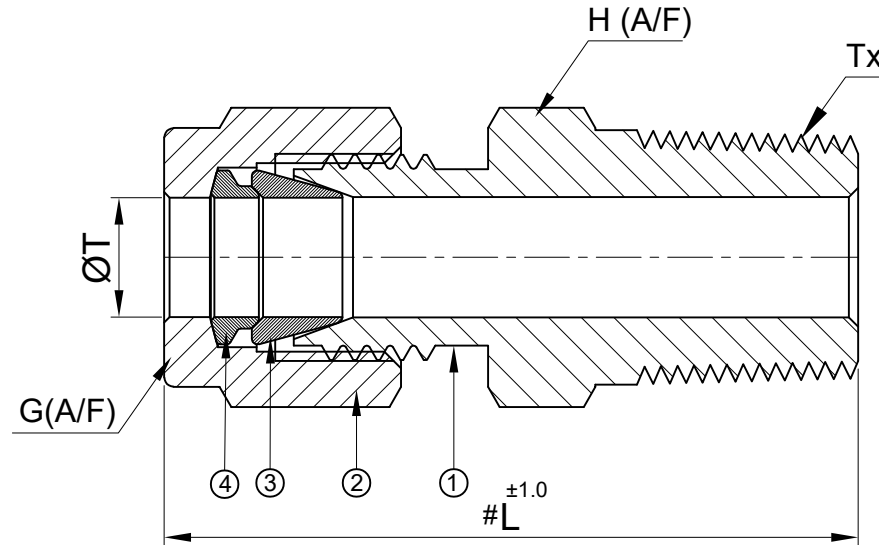


SR NO	DESCRIPTION	QTY	MATERIAL
1	BODY	1	SS 316
2	NUT	1	SS 316
3	FRONT FERRULE	1	SS 316
4	BACK FERRULE	1	SS 316



PART NO	ØT	Tx	L	H (A/F)	G(A/F)
25BTMC16N-S6	25mm	1" NPT-M	62.0	36.0	38.0

NOTE:-

- NPT THREAD AS PER ANSI B 1.20.1.
- # MARKED DIMENSION IS IN FINGER TIGHT POSITION.
- UNLESS & OTHERWISE SPECIFIED ALL DIMENSIONS ARE IN 'mm'

havi
 Fittings & Valves
 info@havi.in www.havi.in
 A-201, PRIME TRADE CENTER
 SATIVALI ROAD, VASAI (E),
 PALGHAR - 401208, MAHARASHTRA, INDIA

	SIGN	DATE
DRAWN BY	SB	22.06.2022
CHECKED BY	RW	22.06.2022
APPROVED BY	SM	22.06.2022

PART NAME : MALE CONNECTOR -TUBE OD x NPT-M		CUSTOMER NAME:	
DWG NO : - 25BTMC16N-S6		PROJECT NAME & NO:	
MATERIAL : - SS316		ENQ NO:EN2223/00227	
REV NO		SO NO: -	
DESCRIPTION		SIGN	
DATE		DATE	
* All dimensions are in mm. Dimensions for reference only and are subject to change without notice		SHEET NO: 01 OF 01	
* This document is the property of Havi Engineering India Pvt. Ltd. No exploitation or release of any text contained herein or relating to this document is permitted in any form without the written consent of HAVI.		REV NO: 00	
		SCALE: NTS	

PATH: -C:\USERS\DESIGN-3\DESKTOP