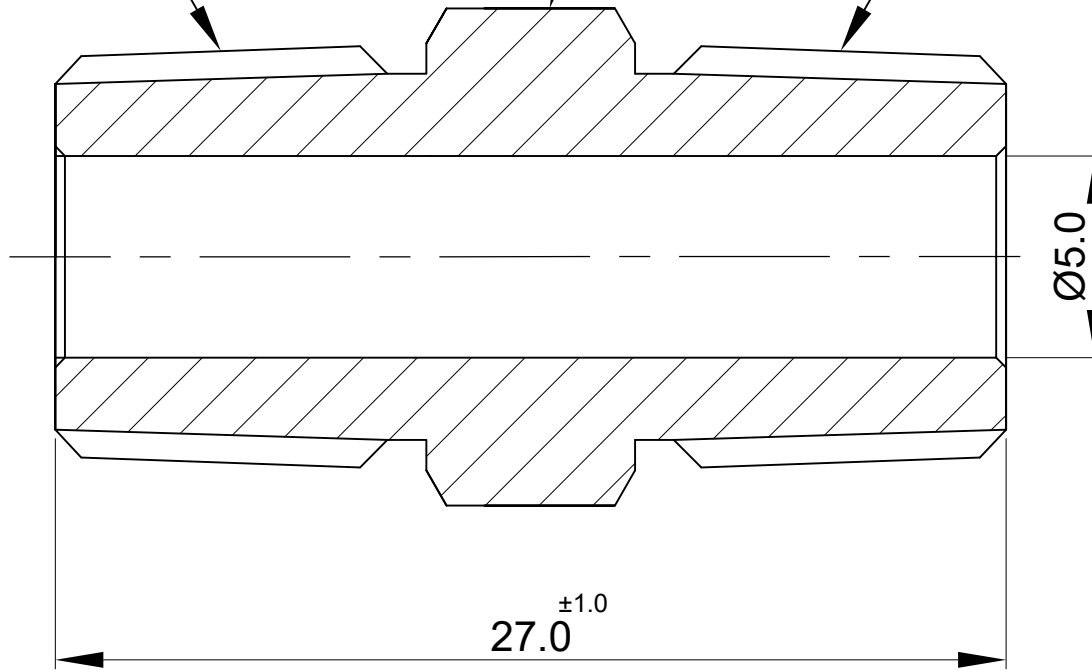


* 1/8" BSPT x 28 TPI

A/F 11.0

* 1/8" BSPT x 28 TPI



PARKER PART NO.- 1/8FF33MSS

PART NAME : 1/8" BSPT Hex Nipple

CUSTOMER NAME :

PART NO : 21THN-S6

PROJECT NAME :

MATERIAL : SS316

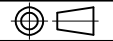
PO NO. :-

	SIGN	DATE
DRAWN BY	VK	31.03.2022
CHECKED BY	RW	31.03.2022
APPROVED BY	SM	31.03.2022

ENQ NO: EN2122/01221

SHEET NO:
01 OF 01

SO NO: -



www.havi.in
info@havi.in

* All dimensions are in mm. Dimensions for reference only and are subject to change without notice
* This document is the property of Havi Engineering India Pvt. Ltd. No exploitation or release of any text contained herein or relating to this document is permitted in any form without the written consent of HAVI.

REV NO: 00

SCALE: NTS

PATH: -X:\2021-2022\EXPORT\EN212201221\GAD