

J

I

H

G

F

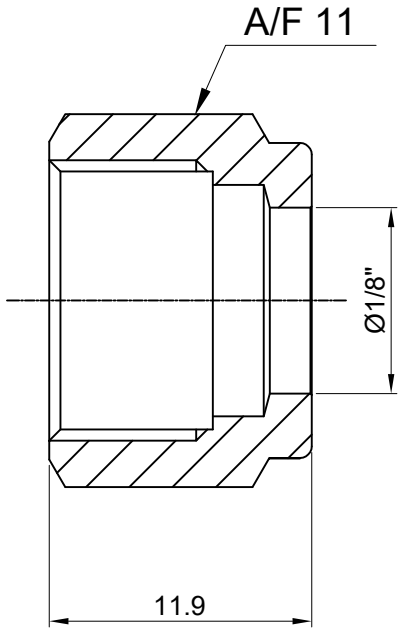
E

D

C

B

A



PART NAME : 1/8" Nut				CUSTOMER NAME:-			
DWG NO : 2N-S6				PROJECT NAME:-			
MATERIAL : SS 316				PO NO:-			
				ENQ NO: EN2223/00905			
				SO NO: -			
				SHEET NO: 01 OF 01			
				REV NO: 00			
				SCALE: NTS			

	SIGN	DATE
DRAWN BY	VK	22.01.2023
CHECKED BY	SB	22.01.2023
APPROVED BY	SD	22.01.2023



\* All dimensions are in mm. Dimensions for reference only and are subject to change without notice  
 \* This document is the property of Havi Engineering India Pvt. Ltd. No exploitation or release of any text contained herein or relating to this document is permitted in any form without the written consent of HAVI.

NOTE:  
 • # MARKED DIMENSION IS IN FINGER TIGHT POSITION.  
 • NPT THREAD AS PER ANSI B 1.20.1.

PATH - T:\2022-2023\EXPORT\EN222300905