

J

I

H

G

F

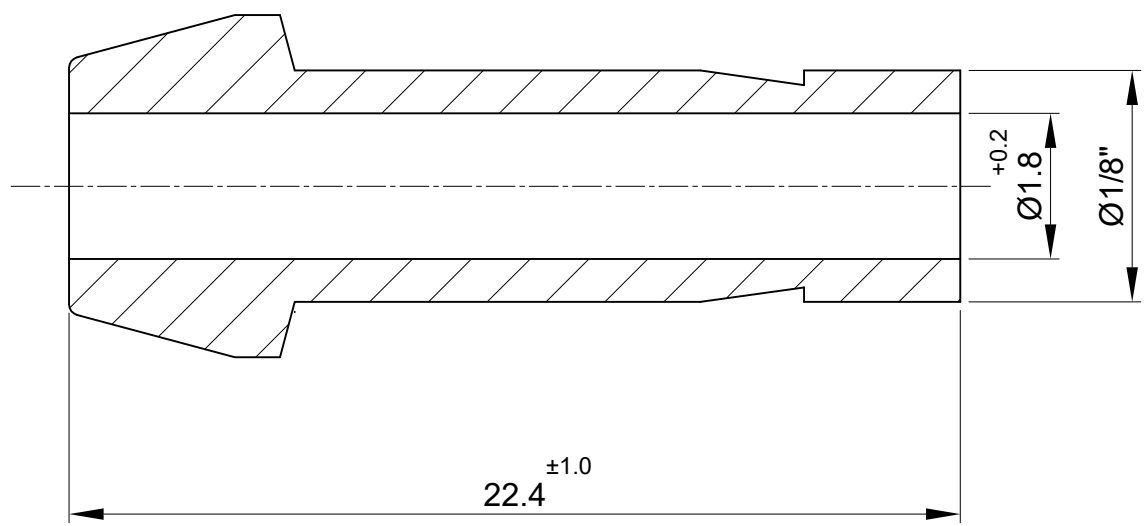
E

D

C

B

A



PART NAME :- 1/8" PORT CONNECTOR				CUSTOMER NAME:-			
DWG NO : 2PC-S6				PROJECT NAME:-			
MATERIAL : SS 316				PO NO:-			
DRAWN BY : VK				ENQ NO: EN2223/00905		SHEET NO: 01 OF 01	
CHECKED BY : SB				SO NO: -			
APPROVED BY : SD							
		www.havi.in info@havi.in		* All dimensions are in mm. Dimensions for reference only and are subject to change without notice * This document is the property of Havi Engineering India Pvt. Ltd. No exploitation or release of any text contained herein or relating to this document is permitted in any form without the written consent of HAVI.			
REV NO		DESCRIPTION		SIGN		DATE	
REV NO: 00		SCALE: NTS					

NOTE:
 • # MARKED DIMENSION IS IN FINGER TIGHT POSITION.
 • NPT THREAD AS PER ANSI B 1.20.1.

PATH:-T:2022-2023EXPORTEN222300905

16 15 14 13 12 11 10 9 8 7 6 5 4 3 2 1