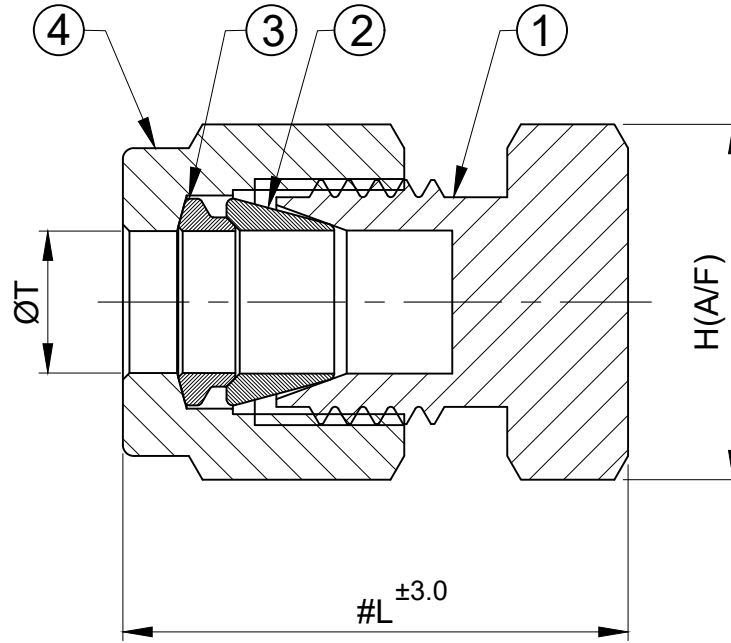


SR NO	SR NO
10	15

SR NO	DESCRIPTION	MATERIAL	QTY
1	BODY	SS316	1
2	FRONT FERRULE	SS316	1
3	BACK FERRULE	SS316	1
4	NUT	SS316	1



Sr No	MODEL NO.	ØT	L (± 3.0)	H(A/F)
10	2TC-S6	1/8"	22.0	11(7/16")

NOTE:-

- NPT THREAD AS PER ANSI B 1.20.1.
- UNLESS & OTHERWISE SPECIFIED ALL DIMENSIONS ARE IN 'mm'

	SIGN	DATE
DRAWN BY	PG	08-05-2023
CHECKED BY	VM	08-05-2023
APPROVED BY	SRD	08-05-2023



www.havi.in
info@havi.in

PART NAME : TUBE CAP				CUSTOMER NAME: -			
DWG NO : GA-TC-S6				PROJECT NAME & NO:			
MATERIAL : SS316				ENQ NO : EN2324/00023			
REV NO				DESCRIPTION		SIGN	
DATE				DATE		SO NO:	
SHEET NO: 01 OF 01				SCALE: NTS			

* All dimensions are in mm. Dimensions for reference only and are subject to change without notice
* This document is the property of Havi Engineering India Pvt. Ltd. No exploitation or release of any text contained herein or relating to this document is permitted in any form without the written consent of HAVI.

PATH: J:\2023-2024\EXPORT\EN232400023\EN232400023R0