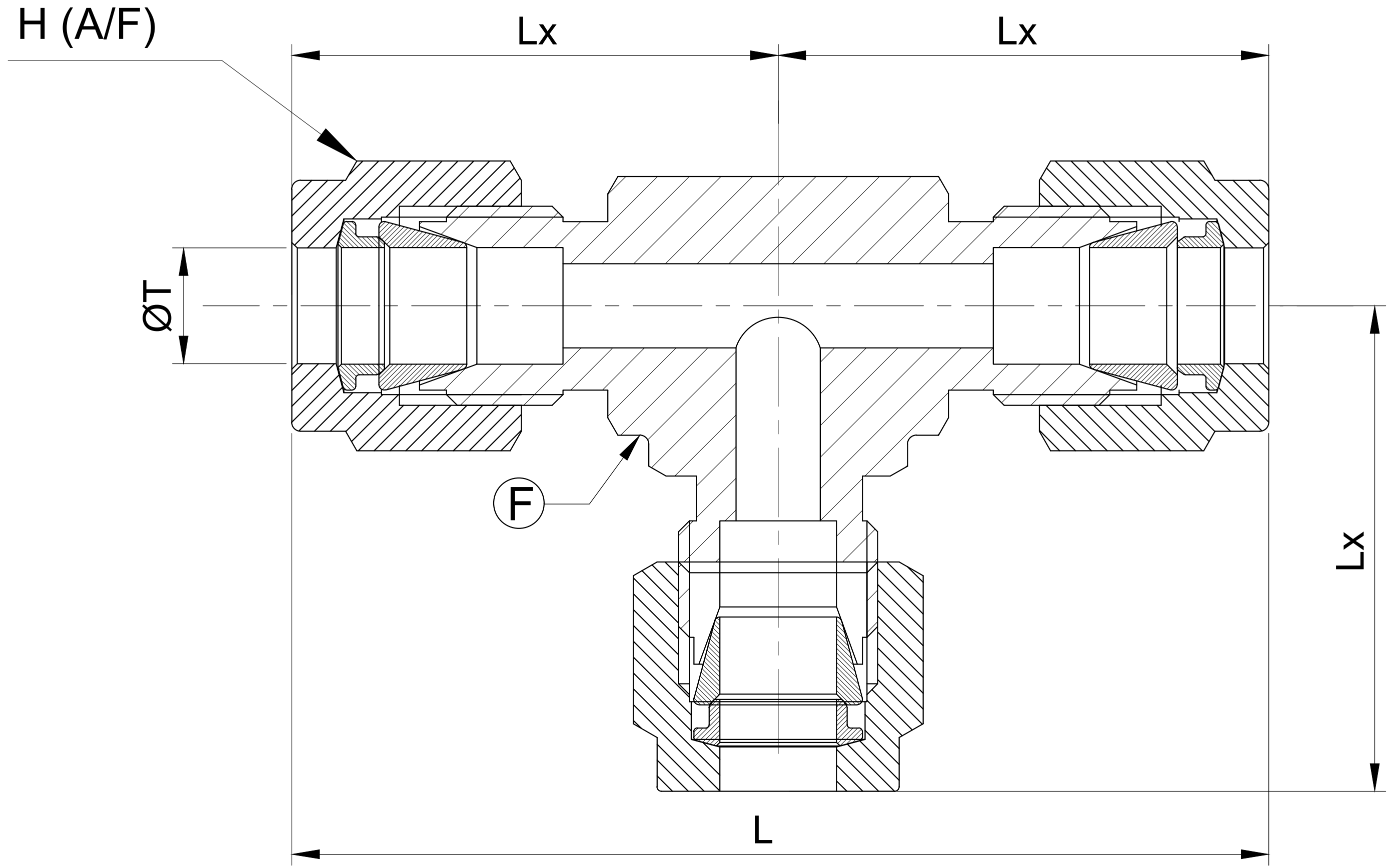


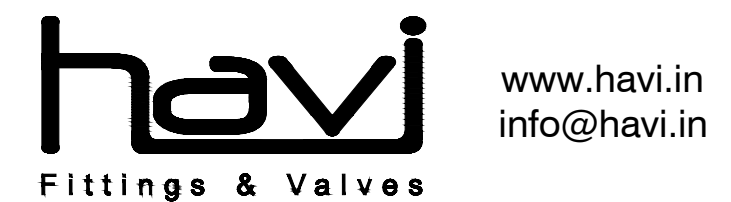
SR NO	DESCRIPTION	QTY	MATERIAL
1	BODY	1	SS 316
2	NUT	1	SS 316
3	FRONT FERRULE	1	SS 316
4	BACK FERRULE	1	SS 316



Sr No	MODEL NO.	ØT	L(± 3.0)	Lx (±1.5)	F	H
3	3MUT-S6	3MM	53.5	26.8	12.5	11

PART NAME : UNION TEE				CUSTOMER NAME:VSP			
DWG NO : 3MUT -S6				PROJECT NAME: -			
MATERIAL : SS316				PO NO:			
				ENQ NO: EN2223/0619*			
				SO NO: SO2223/00428			
REV NO	DESCRIPTION	SIGN	DATE				
<p>* All dimensions are in mm. Dimensions for reference only and are subject to change without notice          * This document is the property of Havi Engineering India Pvt. Ltd. No exploitation or release of any text contained herein or relating to this document is permitted in any form without the written consent of HAVI.</p>							
				REV NO: 00			
				SCALE: NTS			

	SIGN	DATE
DRAWN BY	SAA	16/02/2023
CHECKED BY	MT	16/02/2023
APPROVED BY	SRD	16/02/2023



NOTE:  
 • '#' MARKED DIMENSION IS IN FINGER TIGHT POSITION.

PATH: F:\FY 2022-23\ISO-0428\GAD\APPROVED GAD