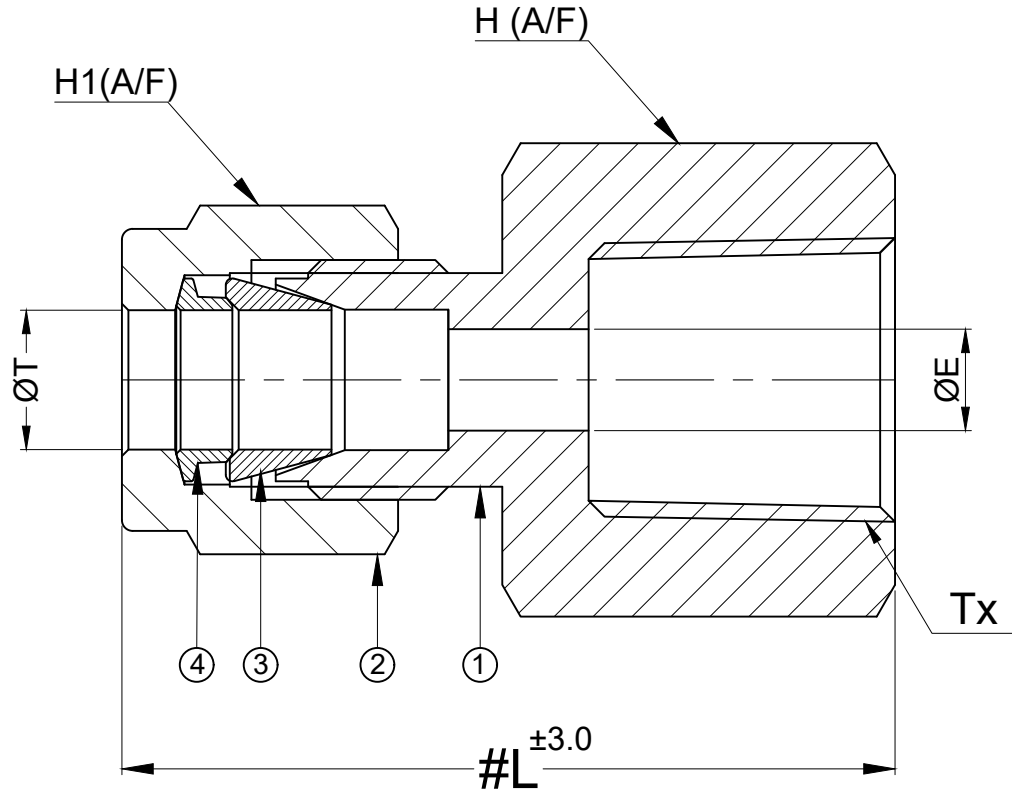


SR NO	QTY
17	10

SR NO	PART NO	T	Tx	L	H (A/F)	H1(A/F)	ØE
17	4FC2IT-S6	1/4"	1/8" BSPT-F	31.5	16.0(5/8")	14.0(9/16")	4.8



SR NO	DESCRIPTION	QTY	MATERIAL
1	BODY	1	SS 316
2	NUT	1	SS 316
3	FRONT FERRULE	1	SS 316
4	BACK FERRULE	1	SS 316

NOTE:-

NPT THREAD AS PER ANSI B 1.20.1.

MARKED DIMENSION IS IN FINGER TIGHT POSITION.

PART NAME : FEMALE CONNECTOR - TUBE OD x NPT-F				CUSTOMER NAME:-			
DWG NO : GA-FC-S6				PROJECT NAME:-			
MATERIAL : SS 316				PO NO:			
				ENQ NO:- EN2223/01092			
				SO NO:			
REV NO	DESCRIPTION	SIGN	DATE				
				* All dimensions are in mm. Dimensions for reference only and are subject to change without notice * This document is the property of Havi Engineering India Pvt. Ltd. No exploitation or release of any text contained herein or relating to this document is permitted in any form without the written consent of HAVI.			
				REV NO: 00			
				SCALE: NTS			

	SIGN	DATE
DRAWN BY	MBC	08-05-2023
CHECKED BY	VM	08-05-2023
APPROVED BY	SRD	08-05-2023

havi
Fittings & Valves

www.havi.in
info@havi.in

PATH: J:\2023-2024\EXPORT\EN2223\01092\EN2223\00023R0