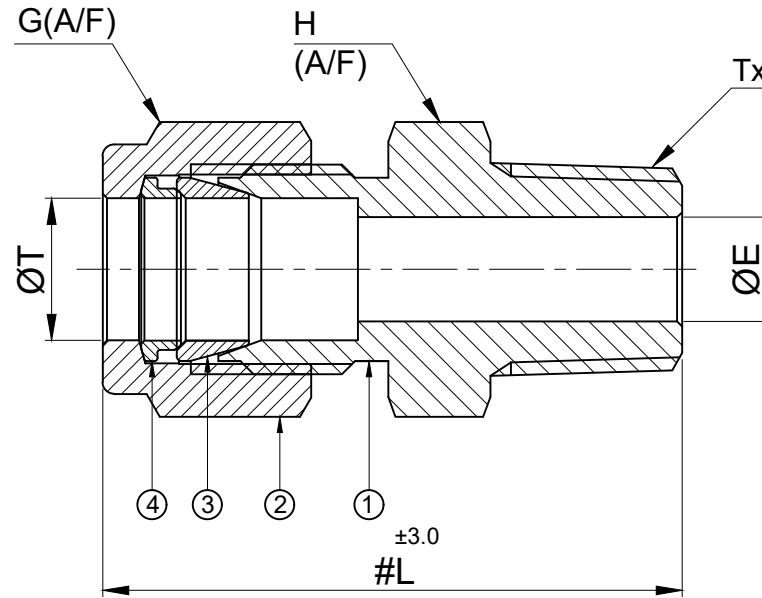



SR NO	DESCRIPTION	QTY	MATERIAL
1	BODY	1	Alloy-600
2	NUT	1	Alloy-600
3	FRONT FERRULE	1	Alloy-600
4	BACK FERRULE	1	Alloy-600



PART NO	ØT	Tx	L	G (A/F)	H (A/F)	ØE
4MC8N-A6	1/4"	1/2" NPT-M	44.0	22(7/8")	22(7/8")	4.7

Technical Detail:-
M.A.W.P.:- 1500 Psig @ 38°C
M.W.T.:- 0 To 120° C

NOTE:
NPT THREAD AS PER ANSI B 1.20.1.
UNLESS & OTHERWISE SPECIFIED ALL DIMENSIONS ARE IN 'mm

 Fittings & Valves info@havi.in www.havi.in A-201, PRIME TRADE CENTER SATIVALI ROAD, VASAI (E), PALGHAR - 401208, MAHARASHTRA, INDIA	PART NAME : MALE CONNECTOR				CUSTOMER NAME :-				
	DWG NO : - 4MC8N-A6				PROJECT NAME:-				
	MATERIAL : - AS PER BOM				ENQ NO:- EN2324/00354				
	REV NO				SO NO :-				
SIGN		DATE		SIGN		DATE		SHEET NO: 01 OF 01	
DRAWN BY		MBC		04.07.2023		* All dimensions are in mm. Dimensions for reference only and are subject to change without notice			
CHECKED BY		VM		04.07.2023		* This document is the property of Havi Engineering India Pvt. Ltd. No exploitation or release of any text contained herein or relating to this document is permitted in any form without the written consent of HAVI.			
APPROVED BY		SRD		04.07.2023		REV NO: 00			
								SCALE: NTS	

PATH:-W:\2023-2024\EXPORT\EN2324\00354\GAD