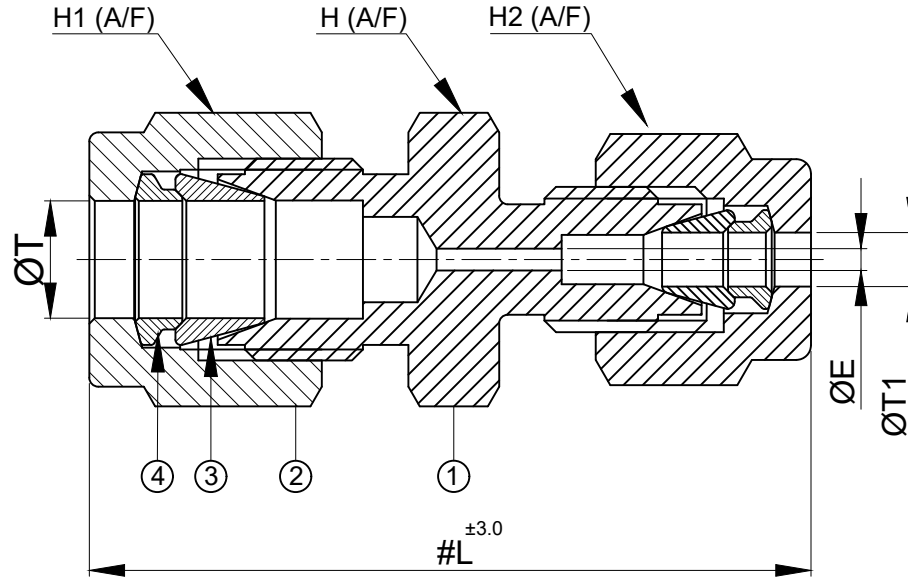


| SR NO | DESCRIPTION   | QTY | MATERIAL |
|-------|---------------|-----|----------|
| 1     | BODY          | 1   | SS 316   |
| 2     | NUT           | 2   | SS 316   |
| 3     | FRONT FERRULE | 2   | SS 316   |
| 4     | BACK FERRULE  | 2   | SS 316   |



| SR NO | PART NO | ØT   | ØT1  | L    | H (A/F)     | H1 (A/F)    | H2 (A/F) | ØE  |
|-------|---------|------|------|------|-------------|-------------|----------|-----|
| 1     | 4RU2-S6 | 1/4" | 1/8" | 39.5 | 14.0(9/16") | 14.0(9/16") | 11.0     | 2.0 |

NOTE:-

# NPT THREAD AS PER ANSI B 1.20.1.

# MARKED DIMENSION IS IN FINGER TIGHT POSITION.

|             | SIGN | DATE       |
|-------------|------|------------|
| DRAWN BY    | PG   | 27-03-2023 |
| CHECKED BY  | MC   | 27-03-2023 |
| APPROVED BY | SRD  | 27-03-2023 |



www.havi.in  
info@havi.in

|  |             |      |      |                       |  |  |  |
|--|-------------|------|------|-----------------------|--|--|--|
| PART NAME :- REDUCING UNION ODT X ODT  |             |      |      | CUSTOMER NAME:-       |  |  |  |
| DWG NO : GA-RU-S6  |             |      |      | PROJECT NAME:-        |  |  |  |
| MATERIAL : SS 316  |             |      |      | PO NO:-               |  |  |  |
|  |             |      |      | ENQ NO:- EN2223/01092 |  |  |  |
|  |             |      |      | SO NO: -              |  |  |  |
| REV NO   | DESCRIPTION | SIGN | DATE |                       |  |  |  |
| * All dimensions are in mm. Dimensions for reference only and are subject to change without notice   |             |      |      |                       |  |  |  |
| * This document is the property of Havi Engineering India Pvt. Ltd. No exploitation or release of any text contained herein or relating to this document is permitted in any form without the written consent of HAVI. |             |      |      |                       |  |  |  |
|  |             |      |      | REV NO: 00            |  |  |  |
|  |             |      |      | SCALE: NTS            |  |  |  |

PATH:-J:\2022-2023\EXPORT\EN222301092